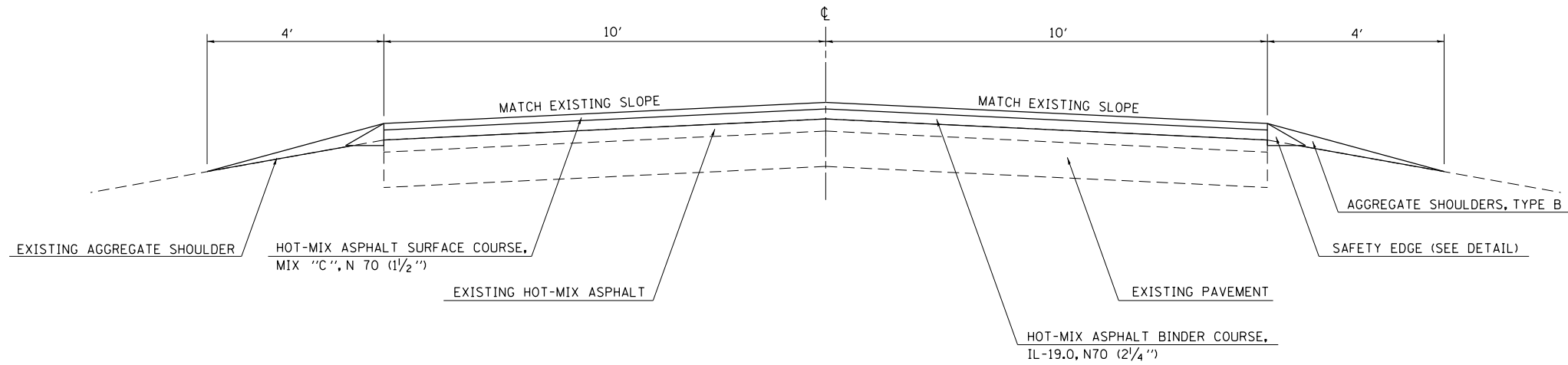


TYPICAL CROSS SECTION

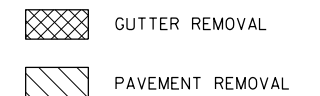
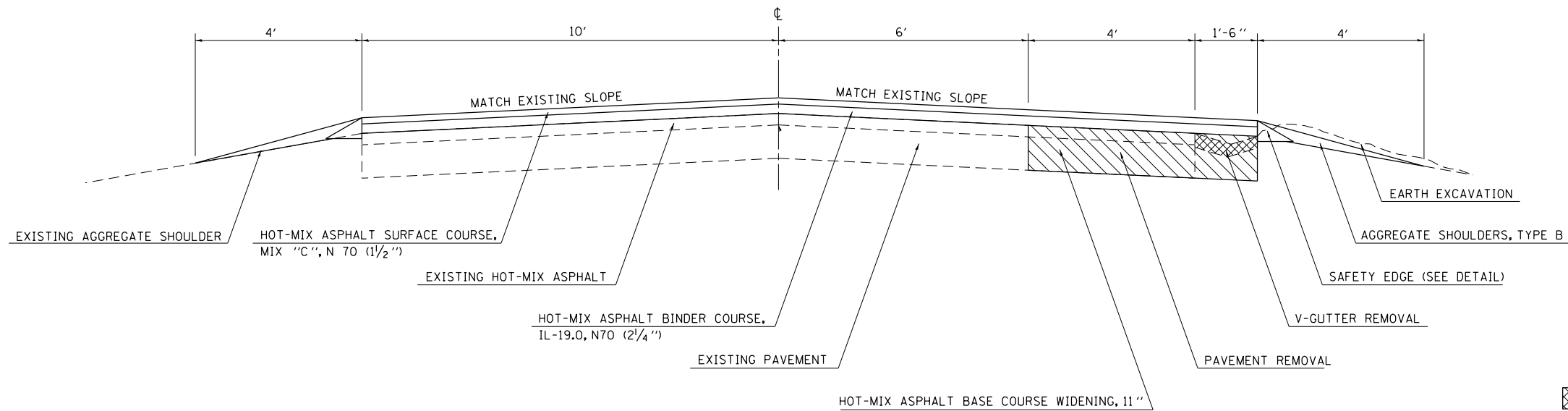
STA. 30+43 TO STA. 76+95
STA. 87+07 TO STA. 87+51



NOTE: NOT TO SCALE

TYPICAL CROSS SECTION

STA. 76+95 TO STA. 87+07



NOTE: NOT TO SCALE

FILE NAME =	USER NAME = steffenmk	DESIGNED -	REVISED -
ci:\pw\work\p\idot\stefenmk\d0283756\0774465-sh-t-typc01s.dgn		DRAWN -	REVISED -
		CHECKED -	REVISED -
		DATE -	REVISED -

STATE OF ILLINOIS
DEPARTMENT OF TRANSPORTATION

TYPICAL CROSS SECTIONS

SCALE: NA SHEET 2 OF 3 SHEETS STA. TO STA.

F.A.U. RTE.	SECTION	COUNTY	TOTAL SHEETS	SHEET NO.
7623	(39MFT)RS-1	COLES	31	6
				CONTRACT NO. 74465
ILLINOIS FED. AID PROJECT				