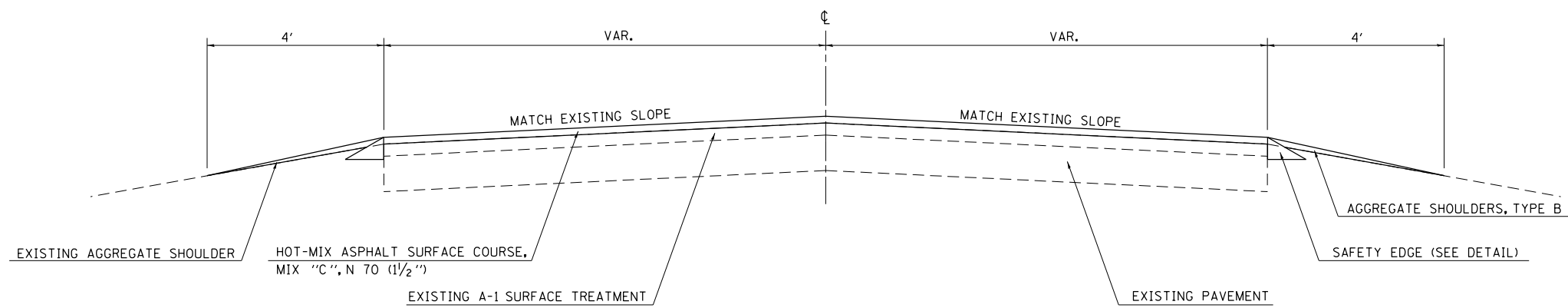


TYPICAL CROSS SECTION

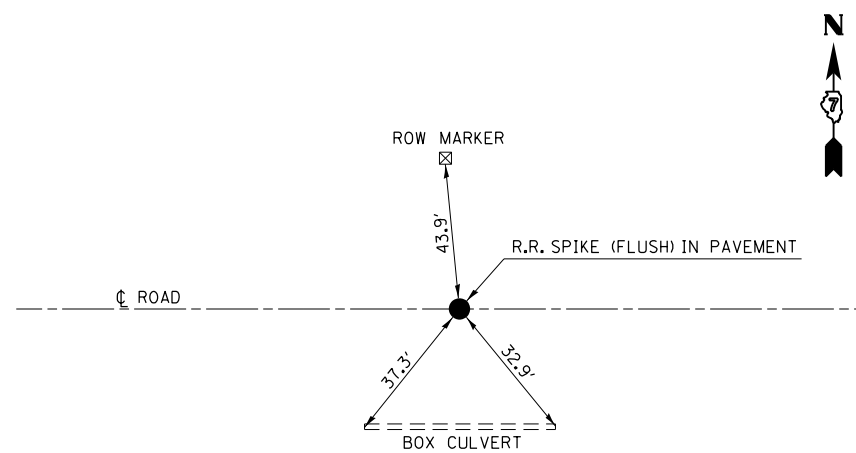
FRONTAGE ROAD

STA. 1100+10 TO STA. 1102+67



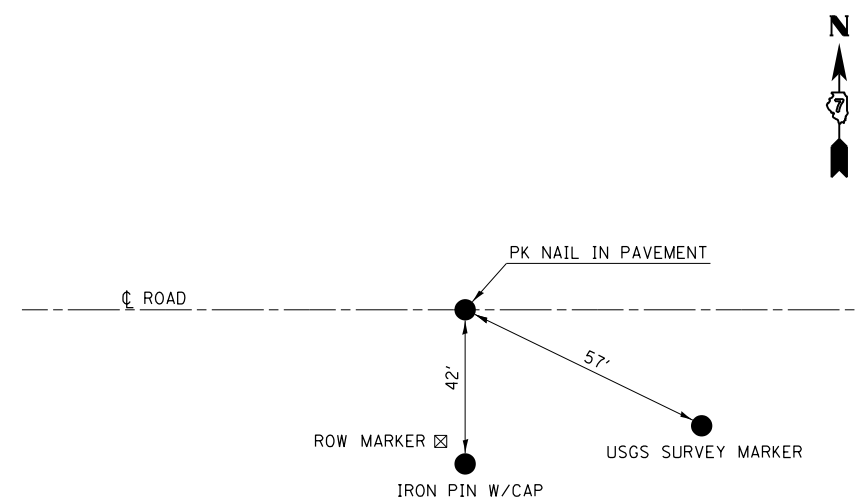
NOTE: NOT TO SCALE

P.O.T. STA. 41+23.32
N.W. COR., SEC 18, T. 12 N., R. 10 E. 3RD P.M.



NOTE: NOT TO SCALE

STA. 72+90
N 1/4 COR., SEC. 18, T. 12 N., R. 10 E., 3RD P.M.



NOTE: NOT TO SCALE

FILE NAME =	USER NAME = steffenmk	DESIGNED -	REVISED -
ci:\pw\work\p\dot\steffenmk\d0283756\0774465-sht-typcros1.dgn		DRAWN -	REVISED -
	PLOT SCALE = 100.0000' / in.	CHECKED -	REVISED -
	PLOT DATE = 1/17/2012	DATE -	REVISED -

STATE OF ILLINOIS
DEPARTMENT OF TRANSPORTATION

TYPICAL CROSS SECTION
AND CROSS TIES

SCALE: NA SHEET 3 OF 3 SHEETS STA. TO STA.

F.A.U. RTE.	SECTION	COUNTY	TOTAL SHEETS	SHEET NO.
7623	(39MFT)RS-1	COLES	31	7
CONTRACT NO. 74465				
ILLINOIS FED. AID PROJECT				