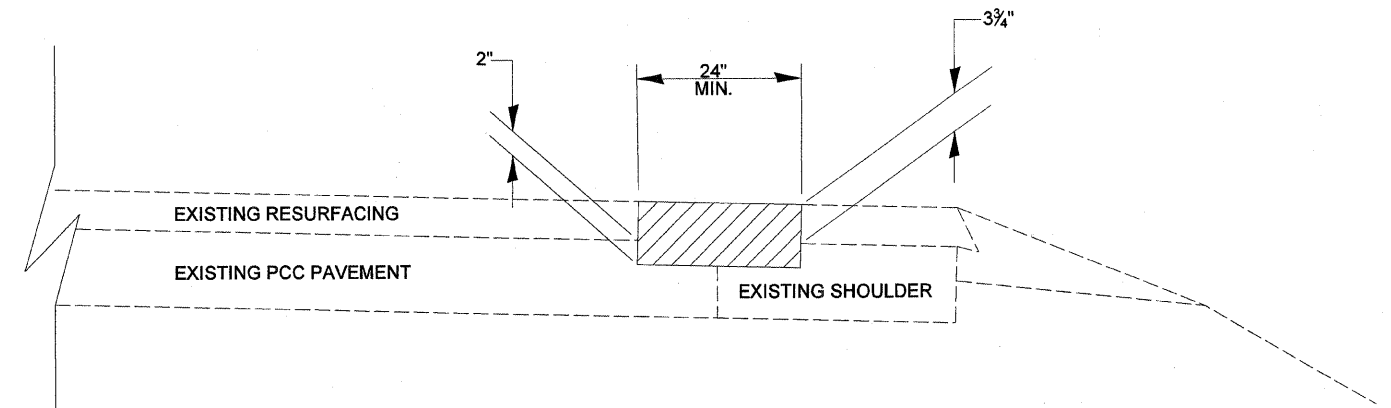
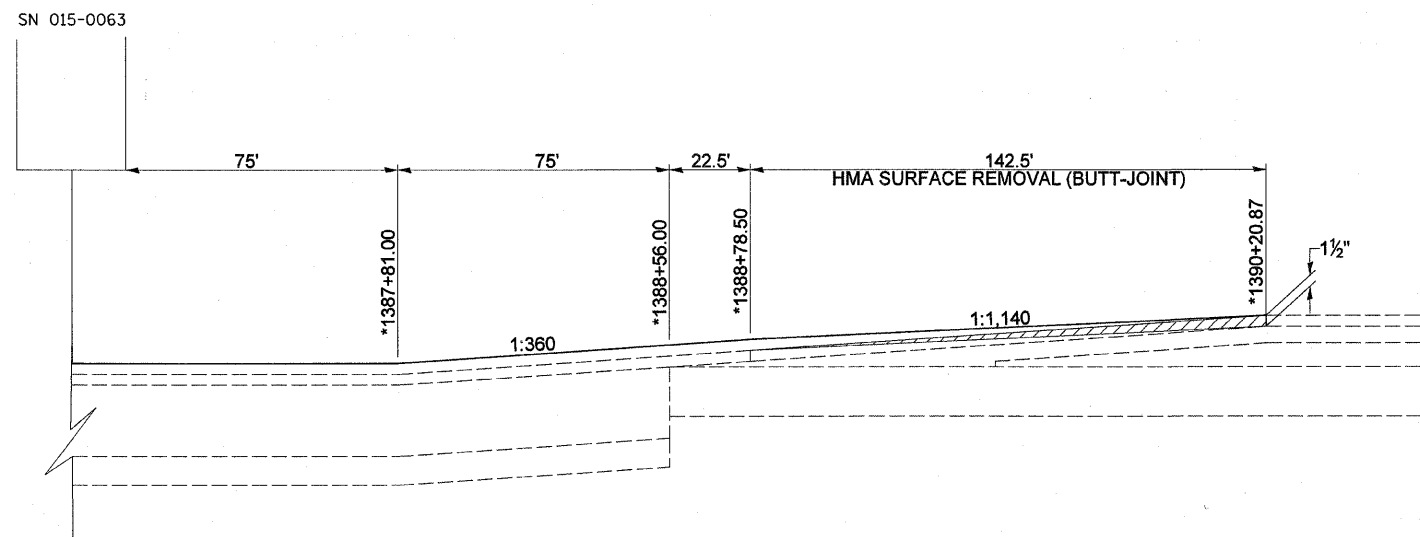


**PARTIAL DEPTH PAVEMENT
PATCHING DETAIL**



NOTE: THIS PROCEDURE SHALL ALSO BE UTILIZED AT THE CENTERLINE JOINT IF NECESSARY. SEE PARTIAL DEPTH PAVEMENT PATCHING SPECIAL PROVISION.



FILE NAME =	USER NAME = swartzw	DESIGNED - JLD	REVISED -	STATE OF ILLINOIS DEPARTMENT OF TRANSPORTATION	MILLING AND BUTT JOINT DETAILS			F.A.I. RTE.	SECTION	COUNTY	TOTAL SHEETS	SHEET NO.	
at:\pw_work\p\idot\swartzw\08288358\077	550-sht-details.dgn	DRAWN - JLD	REVISED -		SCALE: NA	SHEET NO. 3 OF 5 SHEETS	STA.	TO STA.	57	15(22,23,24,25,26)RS-4	COLES	48	46
	PLOT SCALE = 50.0000' / 1"	CHECKED -	REVISED -		CONTRACT NO. 74560								
	PLOT DATE = 1/31/2012	DATE -	REVISED -		ILLINOIS FED. AID PROJECT								