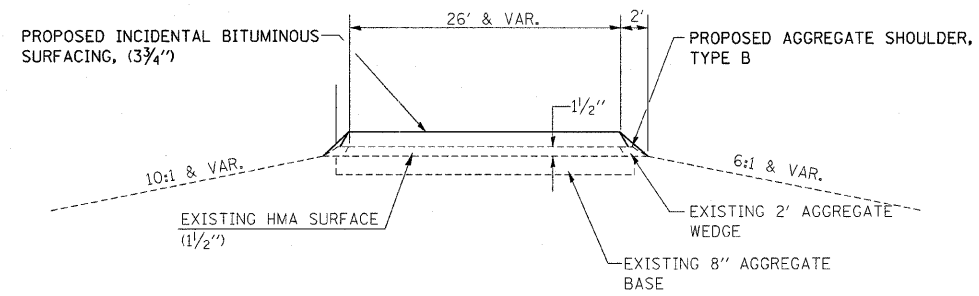
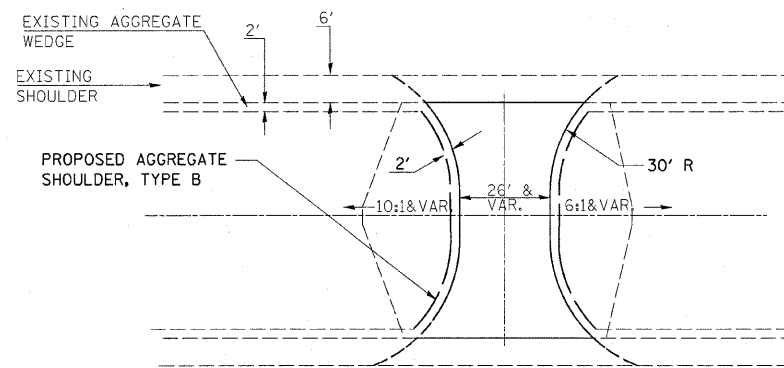


TYPICAL



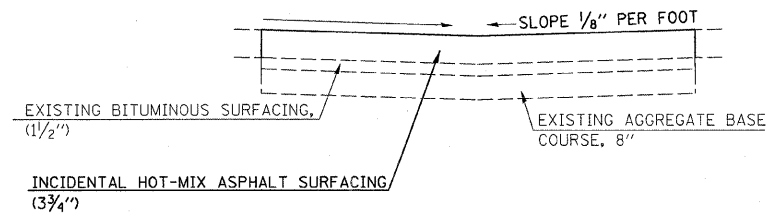
PLAN



NOTES

1.) OMIT RUMBLE STRIPS ON SHOULDERS WITHIN THE LIMITS OF THE MEDIAN CROSSOVER.

PROFILE



FILE NAME = c:\pw_work\pwidot\swartzrw\d8289358\077	USER NAME = swartzrw	DESIGNED - JLD	REVISED -	STATE OF ILLINOIS DEPARTMENT OF TRANSPORTATION	MEDIAN CROSS OVER RESURFACING DETAIL		F.A.I. RTE.	SECTION	COUNTY	TOTAL SHEETS	SHEET NO.
	560-sht-details.dgn	DRAWN - JLD	REVISED -				57	15(22,23,24,25,26)RS-4	COLES	48	47
	PLOT SCALE = 50.0000' / 1"	CHECKED -	REVISED -		SCALE: NA	SHEET NO. 4 OF 5 SHEETS	STA.	TO STA.	CONTRACT NO. 74560		
	PLOT DATE = 1/31/2012	DATE -	REVISED -		ILLINOIS FED. AID PROJECT						