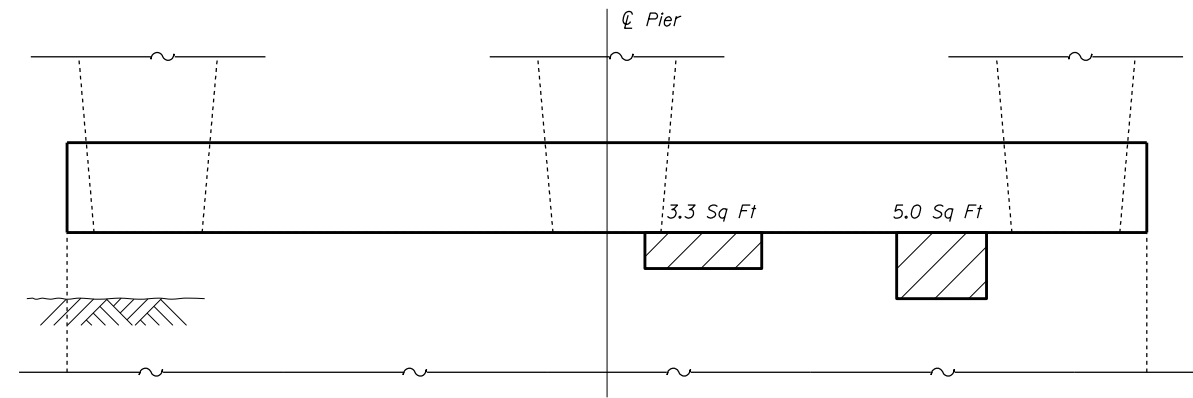
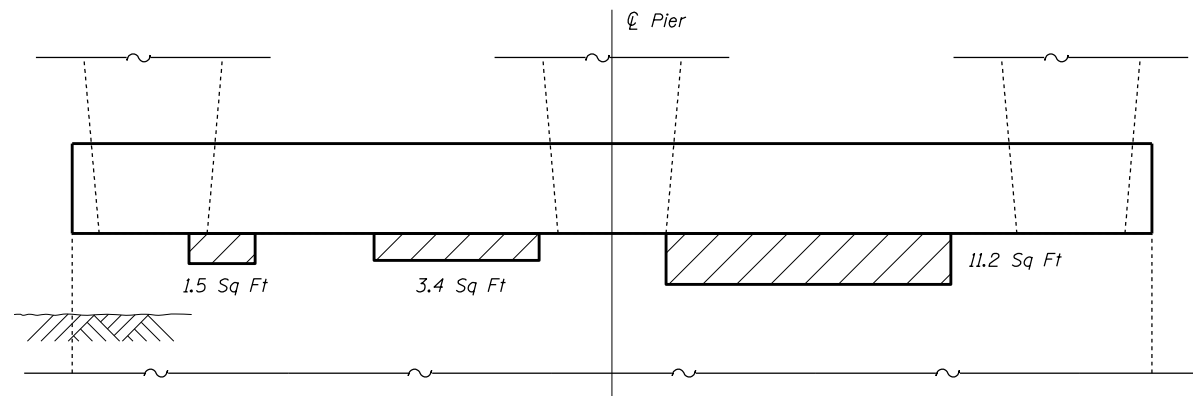


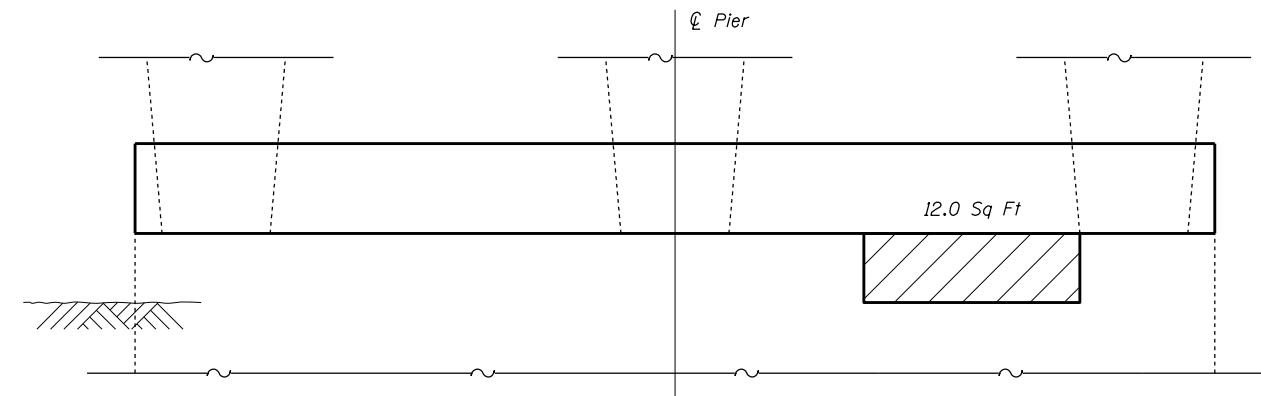
025-0016  
EAST PIER, WEST FACE




025-0017  
EAST PIER, WEST FACE



025-0016  
WEST PIER, EAST FACE



025-0017  
WEST PIER, EAST FACE

 Structural Repair of Concrete (Depth <5")

**CONCRETE REPAIR**

Cost included in Structural Repair  
of Concrete (Depth <5")

Structure	Location	Area Sq Ft
025-0016	East Pier	6.2
025-0016	West Pier	16.1
025-0017	East Pier	8.3
025-0017	West Pier	12.0
Total		42.6

FILE NAME =	USER NAME = steffenmk	DESIGNED - KLB	REVISED -
c:\pwork\pwork\steffenmk\d0289124\074566-shr-brdetails-025001617.dgn		DRAWN - KLB	REVISED -
	PLOT SCALE = 40.0000' / in.	CHECKED - MEA	REVISED -
	PLOT DATE = 1/27/2012	DATE - 12/13/11	REVISED -

STATE OF ILLINOIS  
DEPARTMENT OF TRANSPORTATION

CONCRETE REPAIR  
SN. 025-0016 & 0017

SCALE: NA SHEET 2 OF 2 SHEETS STA. TO STA.

F.A.P. RTE.	SECTION	COUNTY	TOTAL SHEETS	SHEET NO.
828	12RS-1	Effingham	37	24
			CONTRACT NO. 74566	
ILLINOIS FED. AID PROJECT				