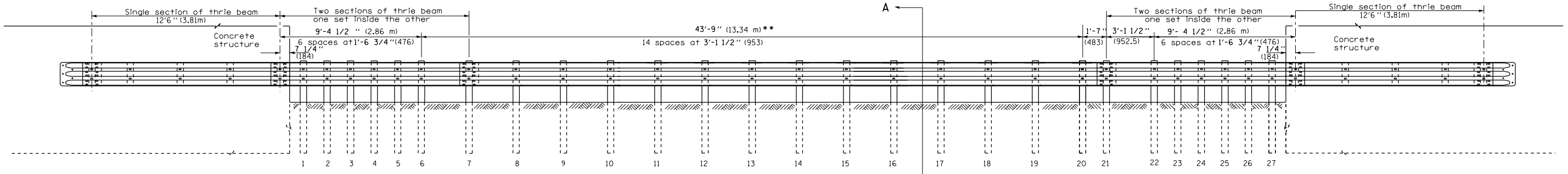
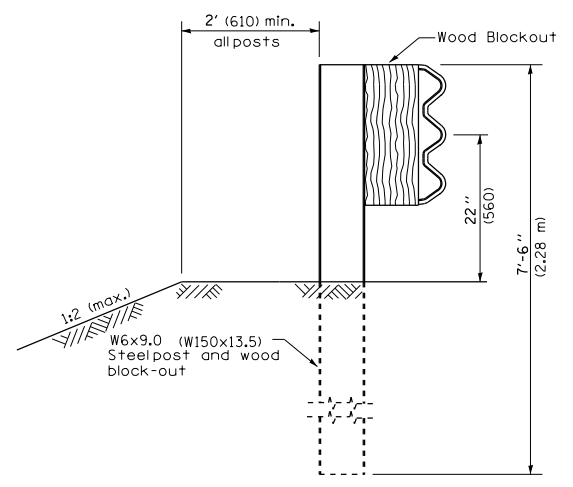


\* With standard washers. After tightening, cut the anchor bolts flush with nuts, and damage the nut to prevent it from loosening.

**PLAN**



\*\*The thrie beam will need to be cut and drilled to accommodate spacing between the two structures.



**SECTION A-A**

**GENERAL NOTES**

- See Standard 630001 for details of guardrail not shown.
- Thrie beam rail shall be bolted to block-out at all posts.
- All slope ratios are expressed as units of vertical displacement to units of horizontal displacement (V:H).
- All dimensions are in millimeters (inches) unless otherwise shown.

|  |                       |            |           |   |                          |         |      |             |         |         |                           |           |           |    |    |
|--|-----------------------|------------|-----------|---|--------------------------|---------|------|-------------|---------|---------|---------------------------|-----------|-----------|----|----|
| FILE NAME =  | USER NAME = steffenmk | DESIGNED - | REVISED - | <b>STATE OF ILLINOIS<br/>DEPARTMENT OF TRANSPORTATION</b> | <b>TBT, TY. 6B (SPL)</b> |         |      | F.A.P. RTE. | SECTION | COUNTY  | TOTAL SHEETS              | SHEET NO. |           |    |    |
| ei:\pw\work\p\idot\steffenmk\d0289124\074566-sh1-details.dgn |                       | DRAWN -    | REVISED - |   | SCALE: NA                | SHEET 1 | OF 1 | SHEETS      | STA.    | TO STA. | 828                       | 12RS-1    | Effingham | 37 | 25 |
| PLOT SCALE = 100.0000' / in.                                 |                       | CHECKED -  | REVISED - |   |                          |         |      |             |         |         | <b>CONTRACT NO. 74566</b> |           |           |    |    |
| PLOT DATE = 1/27/2012  |                       | DATE -     | REVISED - |   |                          |         |      |             |         |         | ILLINOIS FED. AID PROJECT |           |           |    |    |