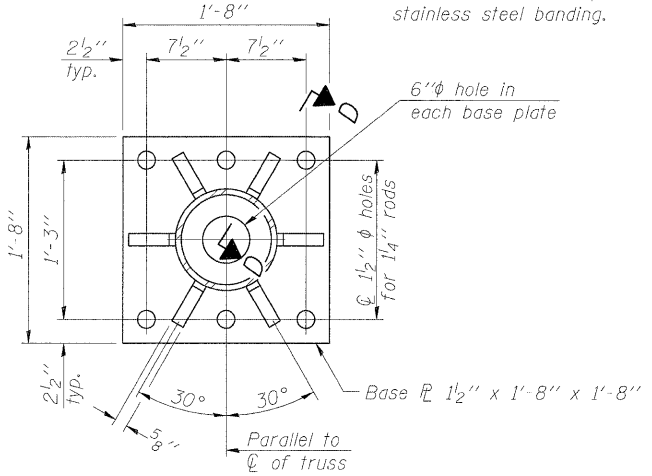


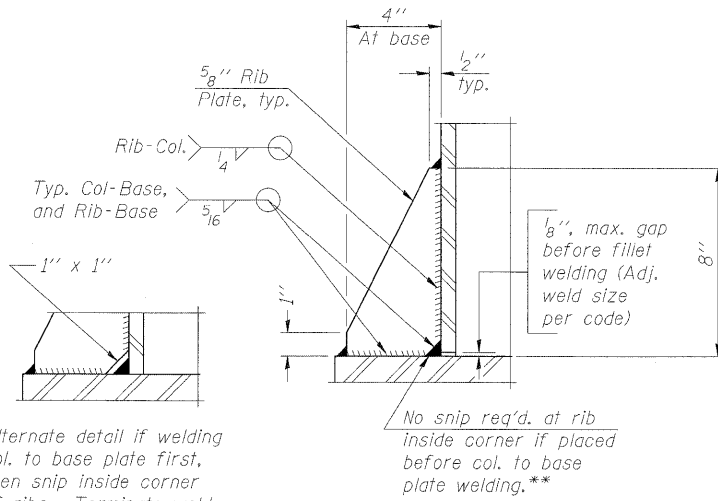
**DETAIL B**

Ribs shall be cut to fit slope of pipe.

Stainless Steel Standard Grade Wire Cloth, 3" wide, 1/4" maximum opening with a minimum wire diameter of AWG. No. 16 with a minimum 2" lap. Secure to base plate after erection with 3/4" stainless steel banding.

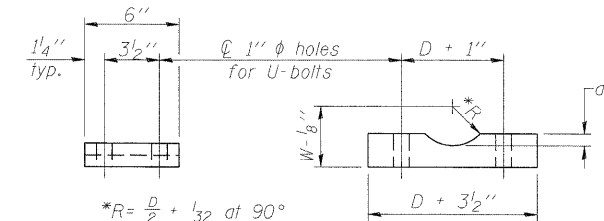


**SECTION B-B**



**SECTION D-D**

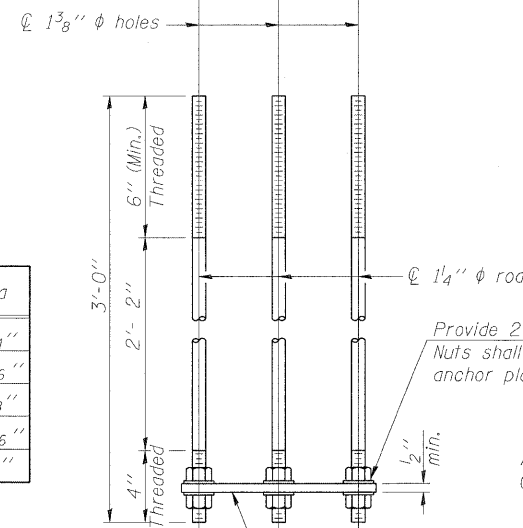
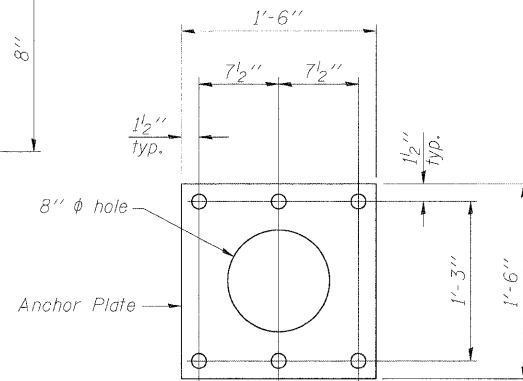
\*\* Alternate detail if welding col. to base plate first, then snip inside corner of ribs. Terminate weld on rib 1/4" from snip.



**SADDLE SHIM DETAIL**

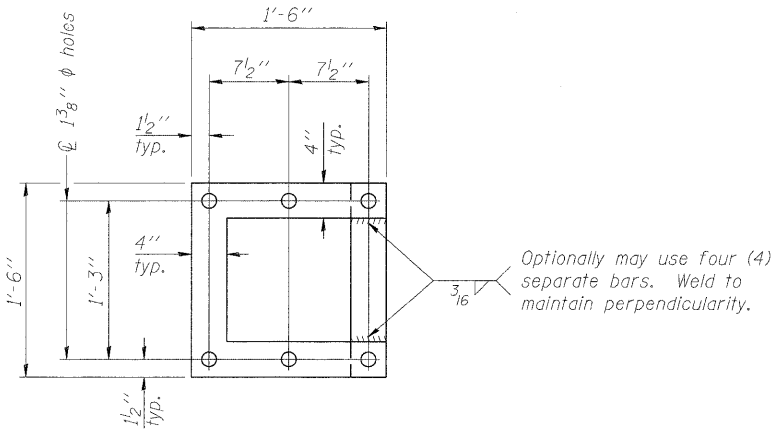
ASTM B26 Alloy 356-F  
or  
ASTM B209 Alloy 6061-T651  
(4 required per sign truss)

Truss Chord Nominal Dia.	a
5"	3/4"
5 1/2"	13/16"
6"	7/8"
6 1/2"	15/16"
7"	1"

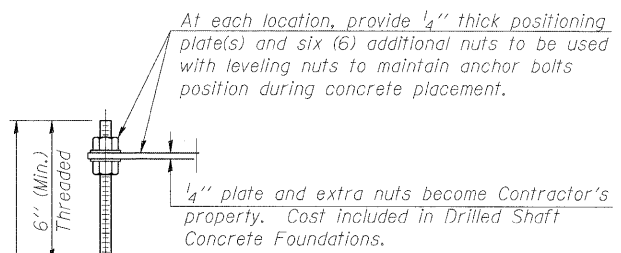


**ANCHOR ROD DETAIL**

Spread Footing Foundation



**POSITIONING PLATE(S)**

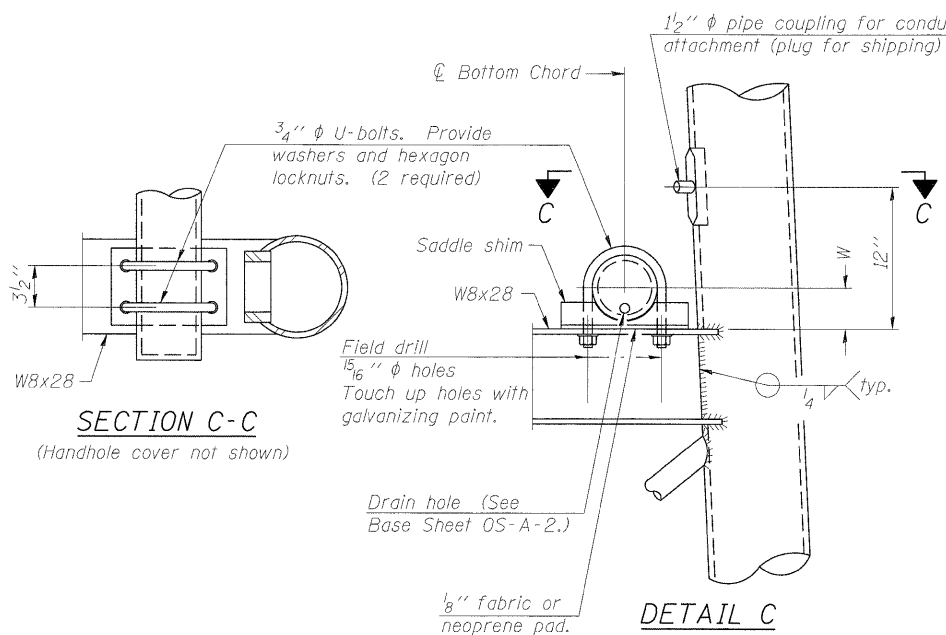


**ANCHOR ROD DETAIL**

Drilled Shaft Foundation

Anchor rods shall conform to AASHTO M314 Grade 36 or 50 and meet Charpy V-Notch (CVN) energy of 15 lb.-ft. at 40° F. Galvanize upper 12" per AASHTO M232. No welding shall be permitted on rods.

**10"  $\phi$  PIPE SUPPORT FRAME DETAILS**



**SECTION C-C**

(Handhole cover not shown)

**DETAIL C**

OS-A-6A

7-1-10

FILE NAME =	USER NAME =	DESIGNED - PMK	REVISED -
		CHECKED - MPW	REVISED -
		DRAWN - PMK	REVISED -
		CHECKED - MPW	REVISED -

STATE OF ILLINOIS  
DEPARTMENT OF TRANSPORTATION

OVERHEAD SIGN STRUCTURES  
SUPPORT FRAME DETAILS - ALUMINUM TRUSS

SHEET NO. 7 OF 16 SHEETS

F.A.I. RTE.	SECTION	COUNTY	TOTAL SHEETS	SHEET NO.
	82-15G	ST. CLAIR	145	93
•998/70/64			CONTRACT NO. 76C45	
ILLINOIS FED. AID PROJECT				