

NOTES:

The foundation dimensions shown are based on the presence of mostly cohesive soils with an average Unconfined Compressive Strength (Qu) of at least 1.25 tsf, which must be determined by previous soil investigations at the jobsite. When other conditions are indicated, the boring data will be included in the plans and the foundation dimensions shown will be the result of site specific designs.

If the conditions encountered are different than those indicated, the Contractor shall notify the Engineer to determine if the foundation dimensions need to be modified. If dimensions "B" or "F" are revised by more than 12" by the Contractor, "as-built" plans shall be prepared and submitted to the District Bureau of Operations for future reference.

No sonotubes or decomposable forms shall be used below the lower conduit entrance. Permanent metal forms or other shielding may not be left in place below that elevation without the Engineer's written permission.

Concrete shall be placed monolithically, without construction joints.

Backfill shall be placed per Article 502 of Standard Specification and prior to erection of support column.

A normal surface finish followed by a Bridge Seat Sealer application will be required on concrete surfaces above the lowest elevation 6" below finished ground line. Cost included in Drilled Shaft Concrete Foundation.

* Quantity of concrete for median support foundation is incidental.

BAR LIST - EACH FOUNDATION

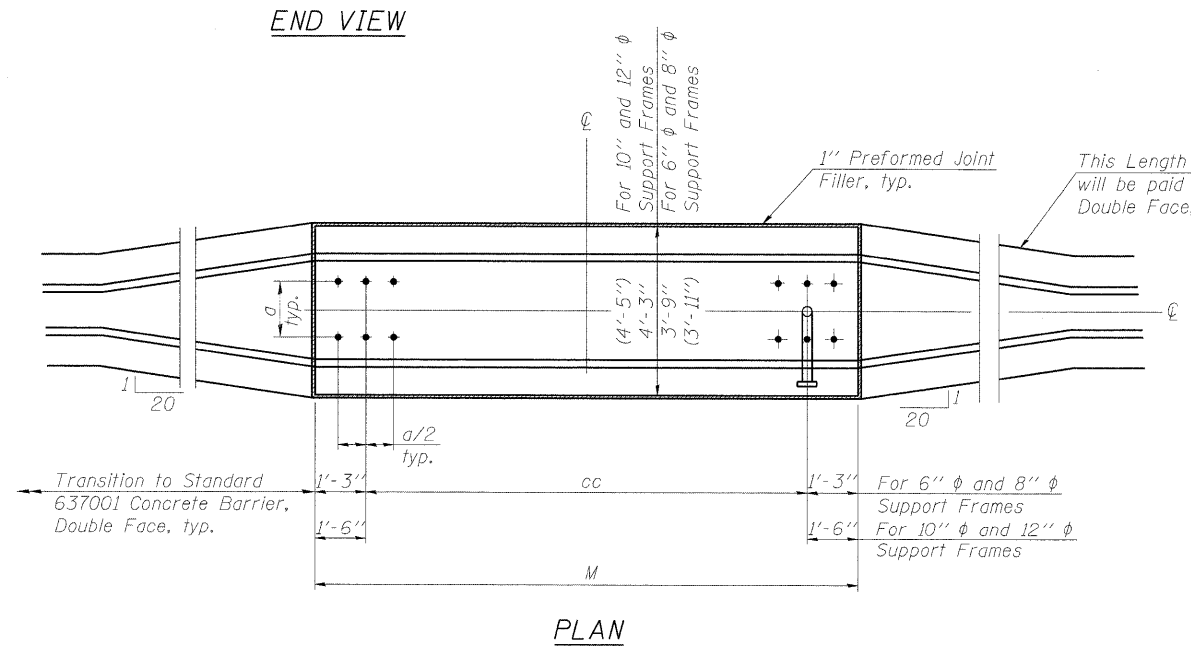
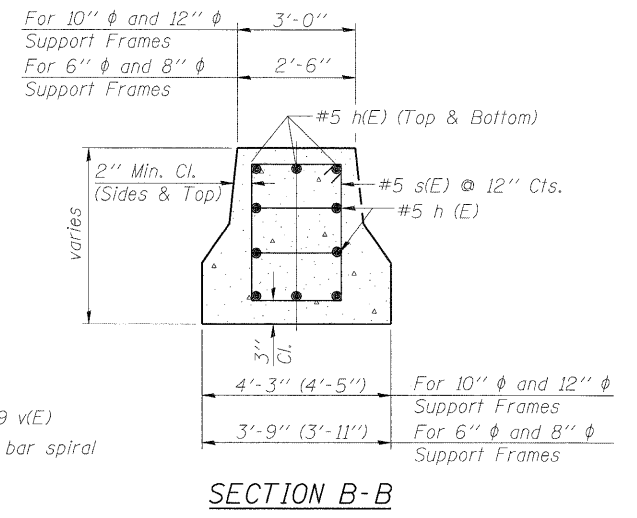
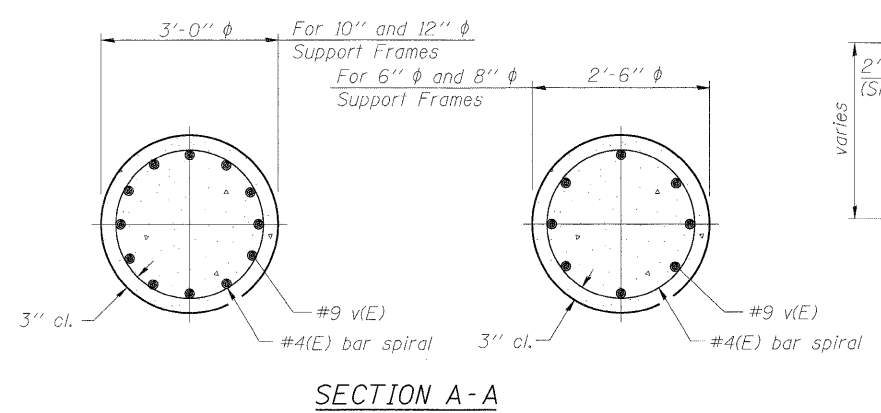
Pipe Support Frames	cc	M	a	a/2
6"φ	7'-0"	9'-6"	0'-11"	5 1/2"
8"φ	7'-6"	10'-0"	1'-1 1/2"	6 3/4"
10"φ	8'-3"	11'-3"	1'-3"	7 1/2"
12"φ	9'-0"	12'-0"	1'-6"	9"

Bar	Number	Size	Length	Shape
h(E)	10	#5	M less 4"	—
s(E)	Varies	#5	Varies	□
v(E)	16	#9	F less 0'-5"	—
v(E)	24	#9	F less 0'-5"	—

#4(E) bar spiral - see Side Elevation

SIDE ELEVATION
Concrete Foundation poured monolithically with no construction joint.

All dimensions in parenthesis are for 42" high barrier.



Structure Number	Station	Left Foundation				Right Foundation				Class DS Concrete (Cu. Yds.)
		Elevation Top	Elevation Bottom	B	F	Elevation Top	Elevation Bottom	B	F	
8S0821055L003.6	MM 3.6	416.66	391.16	22.0	25.5					13.4
8S0821055R003.6	MM 3.6	417.72	393.22	21.0	24.5					12.8

OS4-MED

7-1-10

FILE NAME =	USER NAME =	DESIGNED - PMK	REVISED -
		CHECKED - MPW	REVISED -
		DRAWN - PMK	REVISED -
		CHECKED - MPW	REVISED -

**STATE OF ILLINOIS
DEPARTMENT OF TRANSPORTATION**

**OVERHEAD SIGN STRUCTURES
MEDIAN SUPPORT FOUNDATION DETAILS**

SHEET NO. 16 OF 16 SHEETS

F.A.I. RTE.	SECTION	COUNTY	TOTAL SHEETS	SHEET NO.
	82-15G	ST. CLAIR	145	102
	998/70/64			CONTRACT NO. 76C45
				ILLINOIS FED. AID PROJECT