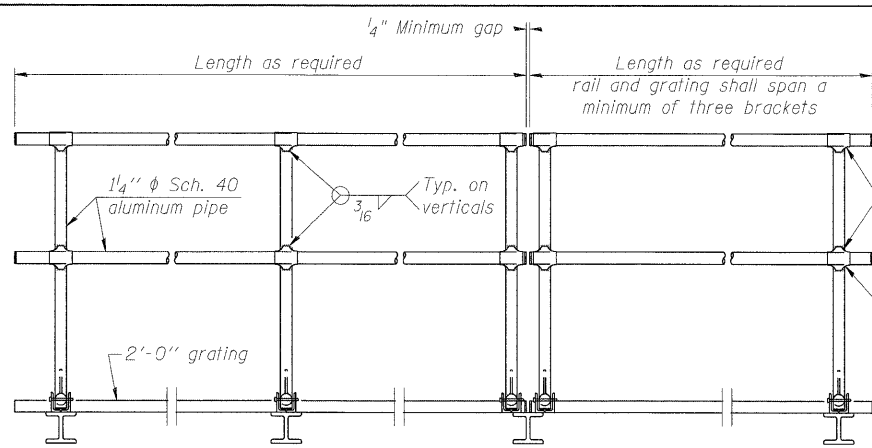


**SIDE ELEVATION**  
(Showing Safety Chain W/O Sign)

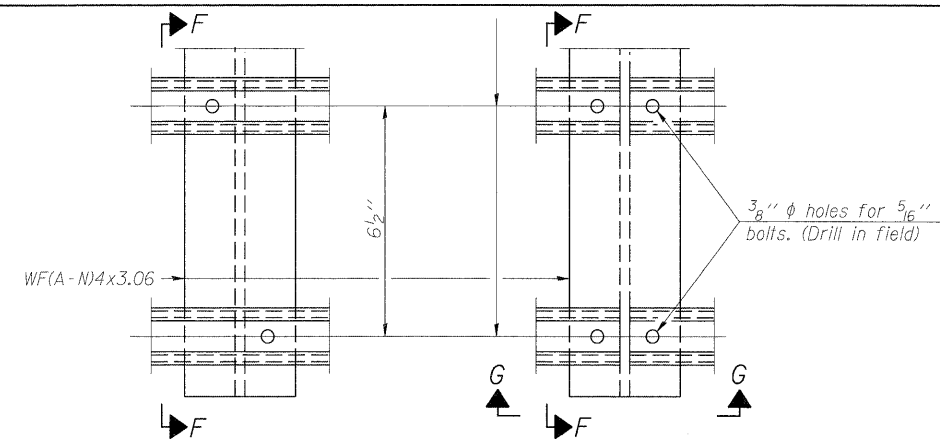


**FRONT ELEVATION**

**HANDRAIL DETAILS**

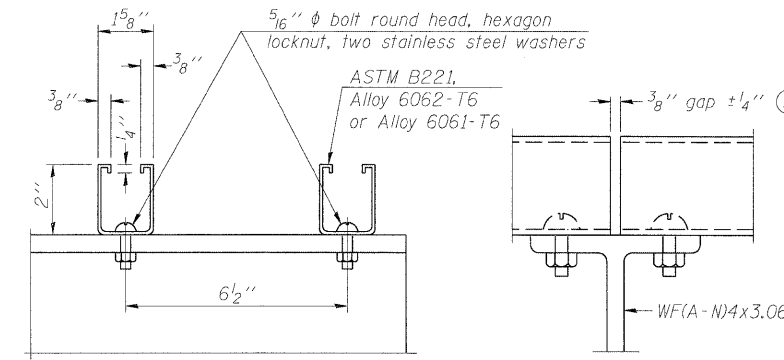
Handrail pipe shall be ASTM B241 or B429, Alloy 6063-T6 or Alloy 6061-T6.

① Install standard force-fit end caps or weld 1/8" end plates with 1/8" c.f.w. and grind smooth. (All rail ends)  
② Horizontal handrail member shall be continuous thru fitting. Provide 7/16" hole in fitting for 3/8" bolt. Field drill 7/16" hole in horizontal rail member. Provide locknut and two stainless steel washers for bolt. (Use 5/16" eyebolts in 7/16" holes on top rail at ends only.)



**DETAIL F**

**DETAIL G**

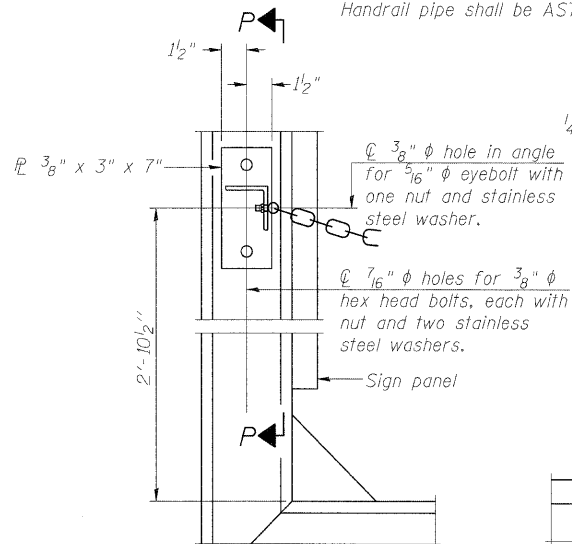


**SECTION F-F**

**SECTION G-G**

**LIGHTING FIXTURE MOUNTS (IF REQUIRED)**

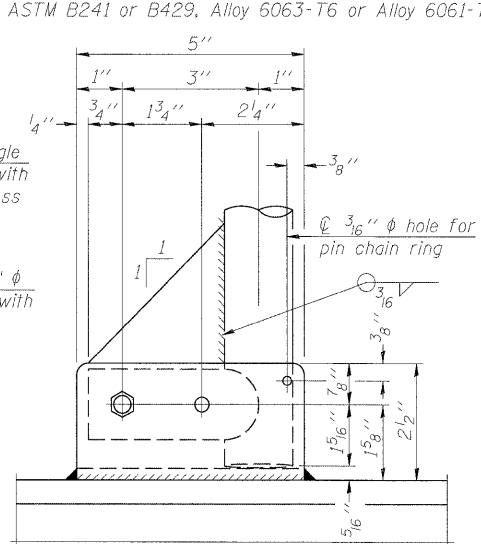
⑤ Field cut ends of light support channels shall be free of burrs or hazardous projections and coated with zinc-rich primer or equivalent.



**ALTERNATE SAFETY CHAIN ATTACHMENT**

(With Sign Present)

Items not shown same as "Side Elevation" of "Handrail Details"



**SIDE ELEVATION**

Drill and ream for 3/8" bolt with two hexagon locknuts and two stainless steel washers.

1/4" ring-grip quick release self-locking stainless steel pin

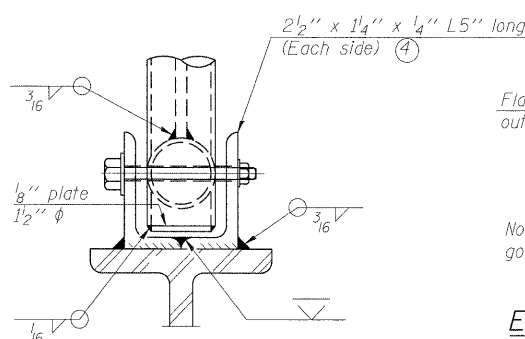
1 1/4" Sch. 40 aluminum pipe  
2" typ.

3/8" pin keeper hole typ.

1/16" stainless steel chain, 6" long, with 1/16" stainless steel ring each end

**PLAN**

**DETAIL E HANDRAIL HINGE**

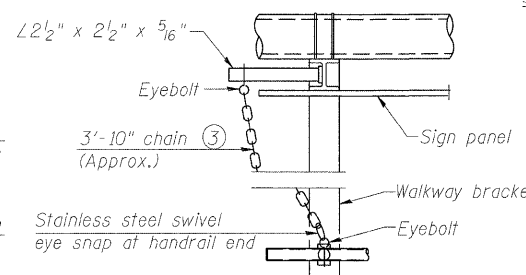


**FRONT ELEVATION**

Details not shown same as "ELEVATION" at right.

**ELEVATION AT HANDRAIL JOINT ④**

Details not shown same as "FRONT ELEVATION"

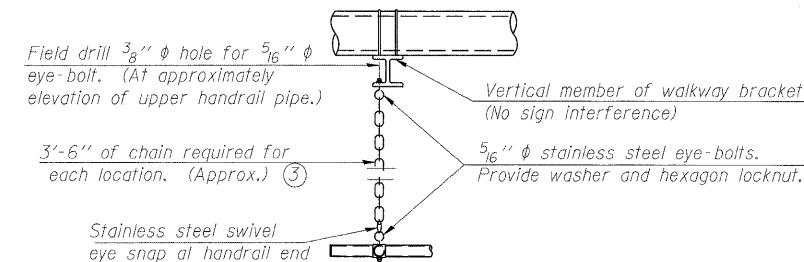


**ALTERNATE SAFETY CHAIN ATTACHMENT**

Details not shown similar to "Safety Chain" Details (Walkway omitted for clarity)

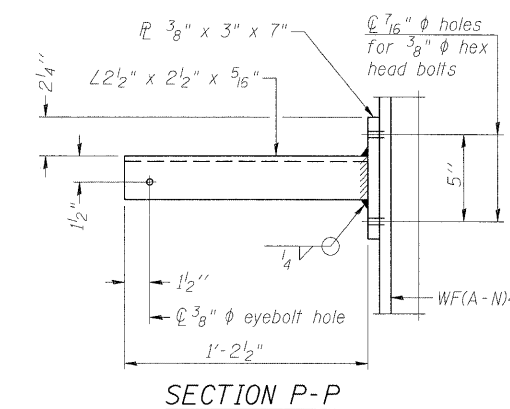
③ 3/16" Type 304L stainless steel chain, approximately 12 links per foot.

④ Extrusions may be used in lieu of the details shown, with approval of the Engineer.

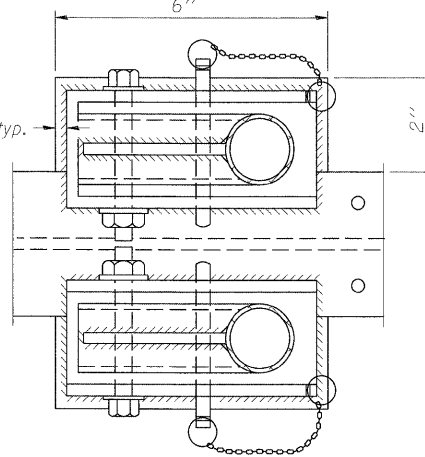


**SAFETY CHAIN**

One required for each end of each walkway.



**SECTION P-P**



**PLAN AT HANDRAIL JOINT**

Details not shown same as "PLAN"

NUMBER	REVISION	DATE

OSC-A-8

12-1-08

FILE NAME =	USER NAME =	DESIGNED - PMK	REVISED -
		CHECKED - MPW	REVISED -
		DRAWN - PMK	REVISED -
		CHECKED - MPW	REVISED -

STATE OF ILLINOIS  
DEPARTMENT OF TRANSPORTATION

CANTILEVER SIGN STRUCTURES  
HANDRAIL DETAILS ALUMINUM TRUSS & STEEL POST

SHEET NO. 11 OF 12 SHEETS

F.A.I. RTE.	SECTION	COUNTY	TOTAL SHEETS	SHEET NO.
.	82-15G	ST. CLAIR	145	113
•998/70/64			CONTRACT NO. 76C45	
ILLINOIS FED. AID PROJECT				