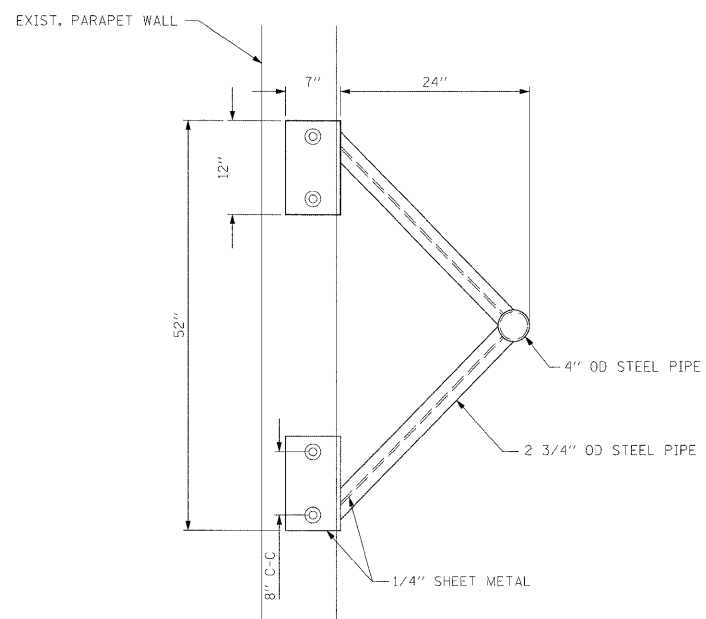


ELEVATION



PLAN

FILE NAME = 08TRI-76C45-sht-details.dgn	USER NAME = mmcconachie	DESIGNED - PMK	REVISED -	STATE OF ILLINOIS DEPARTMENT OF TRANSPORTATION	BRIDGE MOUNTED SIGN SUPPORT	F.A.I. RTE.	SECTION	COUNTY	TOTAL SHEETS	SHEET NO.
	PLOT SCALE = 10.0000' / 1"	DRAWN - PMK	REVISED -			82-1SG	ST. CLAIR	145	135	
	PLOT DATE = 2/2/2012	CHECKED - MPW	REVISED -			*998/70/64	CONTRACT NO. 76C45			
	DATE - 2/2/2012	REVISED -		SCALE: N/A	SHEET NO. 1 OF 3 SHEETS	STA. N/A	TO STA. N/A	FED. ROAD DIST. NO.	ILLINOIS FED. AID PROJECT	