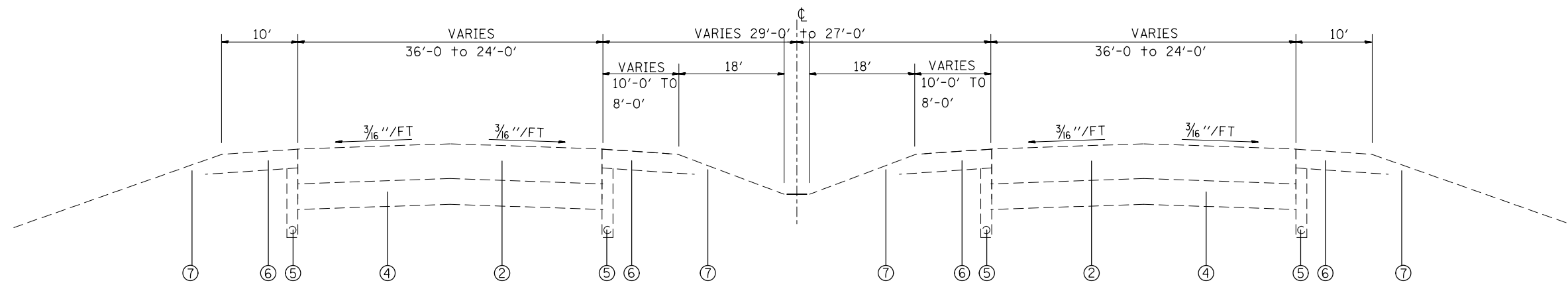


I-255 - EXISTING TYPICAL SECTION
 STA. 1597+30 TO STA. 1615+72 NB



IL 255 - EXISTING TYPICAL SECTION
 STA. 1619+16 TO STA. 1958+00

LEGEND

- ① EXISTING CRPCC PAVEMENT - 10"
- ② EXISTING HMA FULL-DEPTH PAVEMENT - 16 1/2"
- ③ EXISTING STABILIZED SUB-BASE - 4"
- ④ EXISTING LIME MODIFIED SOIL, 12"
- ⑤ EXISTING PIPE UNDERDRAIN, 4"
- ⑥ EXISTING HMA SHOULDERS
- ⑦ EXISTING AGG. SHOULDERS
- ⑧ PROPOSED SHOULDER RUMBLE STRIPS, 16"

FILE NAME =	USER NAME = burnsideem	DESIGNED -	REVISED -
et:\pwork\pwork\burnsideem\d0279757\0876f16-sht-plan.dgn		DRAWN -	REVISED -
	PLOT SCALE = 100.0000' / 1in.	CHECKED -	REVISED -
	PLOT DATE = 2/1/2012	DATE -	REVISED -

STATE OF ILLINOIS
DEPARTMENT OF TRANSPORTATION

TYPICAL SECTIONS

SCALE: SHEET NO. OF SHEETS STA. TO STA.

F.A.P. RTE.	SECTION	COUNTY	TOTAL SHEETS	SHEET NO.
310	60-(8,9,10,11)-I	MADISON	17	3
CONTRACT NO. 76F16				
FED. ROAD DIST. NO. ILLINOIS FED. AID PROJECT				