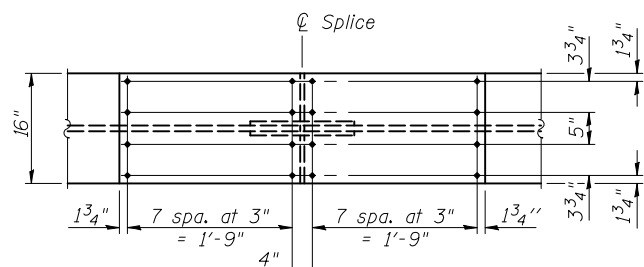
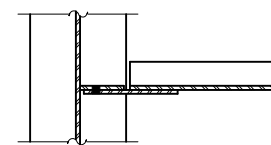


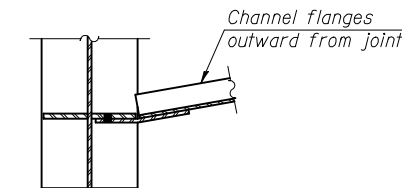
TOP & BOTTOM PLAN



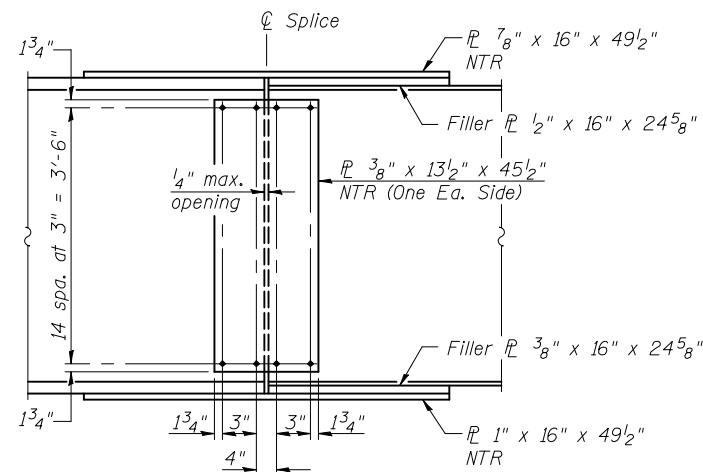
TOP PLAN



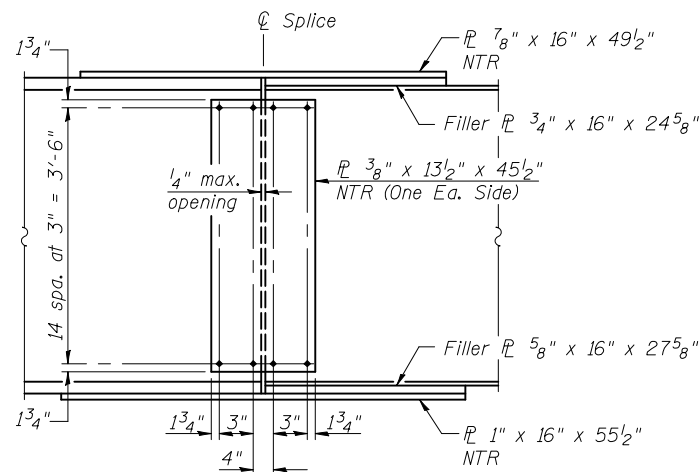
SECTION B-B



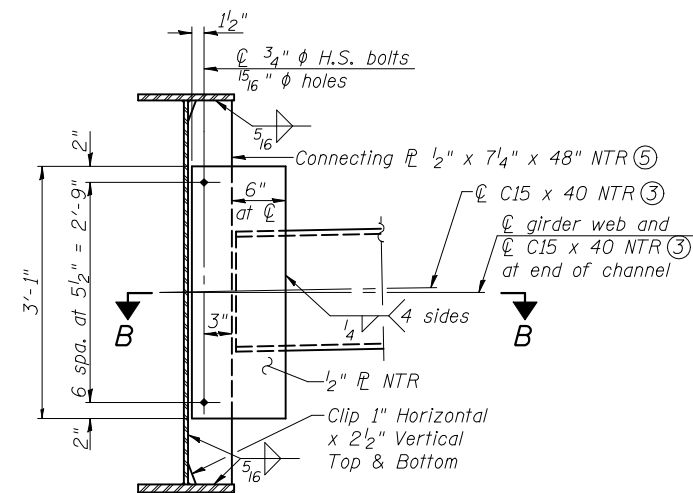
SECTION C-C



ELEVATION

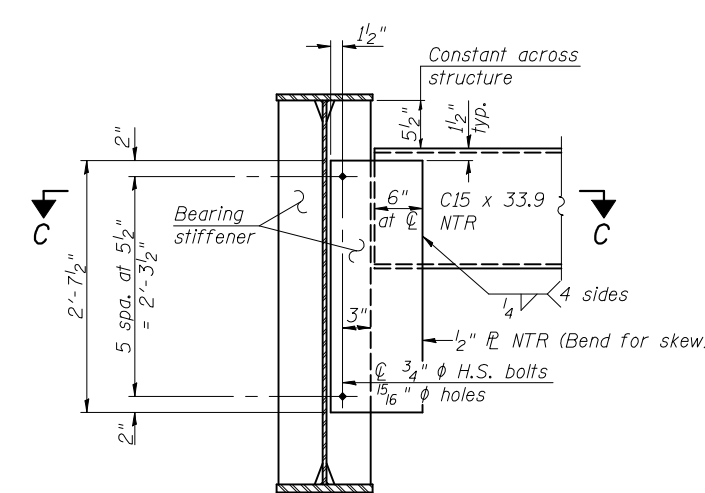


ELEVATION



INTERIOR DIAPHRAGM D

(95 Required)



END DIAPHRAGM D1 or D6

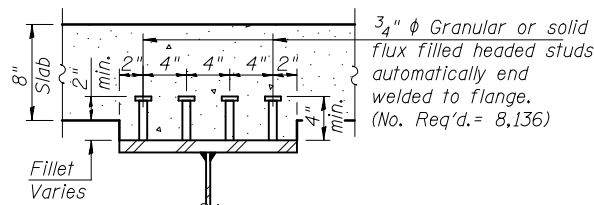
(5 of Each Required)

SPLICE 1 & 4 DETAIL

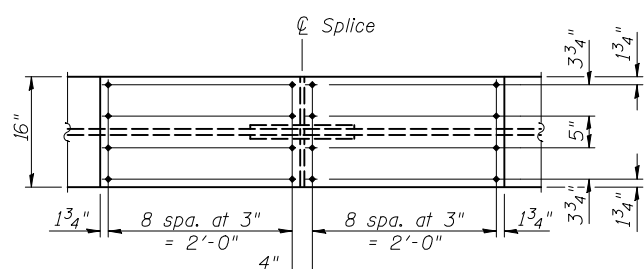
(12 Required)

SPLICE 2 & 3 DETAIL

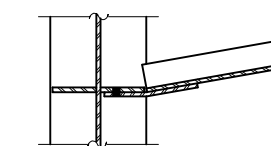
(12 Required)



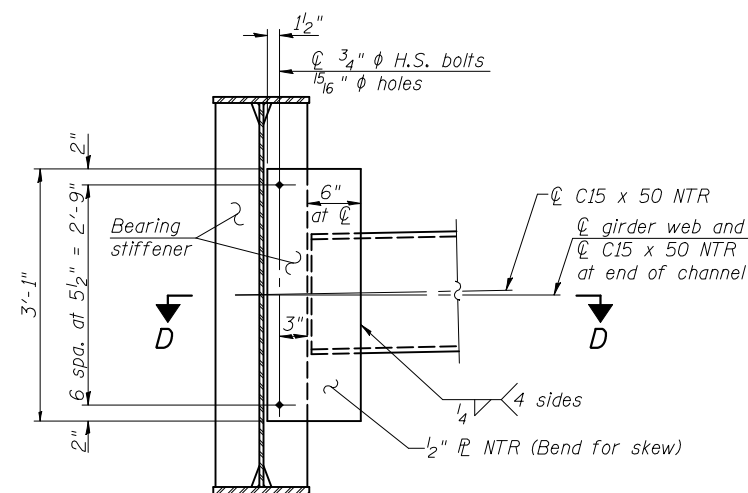
SECTION A-A



BOTTOM PLAN



SECTION D-D

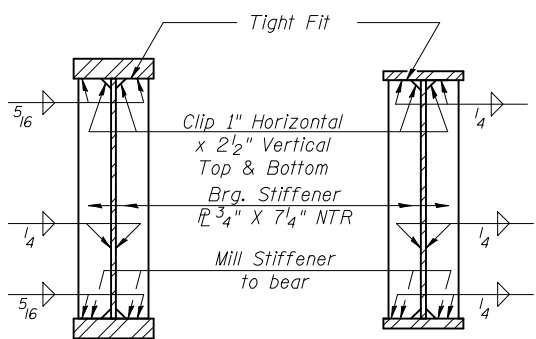


INTERIOR DIAPHRAGM D2, D3, D4, or D5

(5 of Each Required)

Notes:

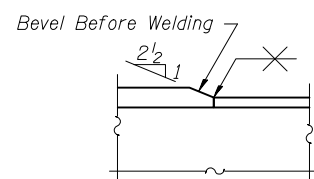
- ① Load carrying components designated "NTR" shall conform to the Impact Testing Requirements, Zone 2.
- ② Two hardened washers required for each set of oversized holes.
- ③ Alternate channels C15x50 are permitted to facilitate material acquisition. Calculated weight of structural steel is based on C15x40 sections. The alternate, if utilized, shall be provided at no extra cost to the department.
- ④ Similar diaphragms are numbered uniquely due to a difference in length.
- ⑤ Do not provide plate on exterior face of fascia girders.



SECTION AT PIER

SECTION AT ABUTMENT

BEARING STIFFENER



DETAIL B



11400  
Eastport Business Center 1  
100 Lamar Court, Suite 1  
Columbia, IL 62238  
Tel: 618.545.2200  
Fax: 618.545.7200  
www.materassociates.com

18000  
Lansdale One Building  
720 Olive, Suite 1000  
St. Louis, MO 63101  
Tel: 314.588.0281  
Fax: 314.588.0205

USER NAME =	DESIGNED - JAD	REVISED -
PLOT SCALE =	CHECKED - DGL	REVISED -
PLOT DATE =	DRAWN - JAD	REVISED -
	CHECKED - DGL	REVISED -

STATE OF ILLINOIS  
DEPARTMENT OF TRANSPORTATION

GIRDER DETAILS  
STRUCTURE NO. 039-0076 (W.B.)

SHEET NO. 29 OF 53 SHEETS

F.A.P. RTE.	SECTION	COUNTY	TOTAL SHEETS	SHEET NO.
331	(12-11B-1)	JACKSON	200	141
CONTRACT NO. 78056				

ILLINOIS FED. AID PROJECT