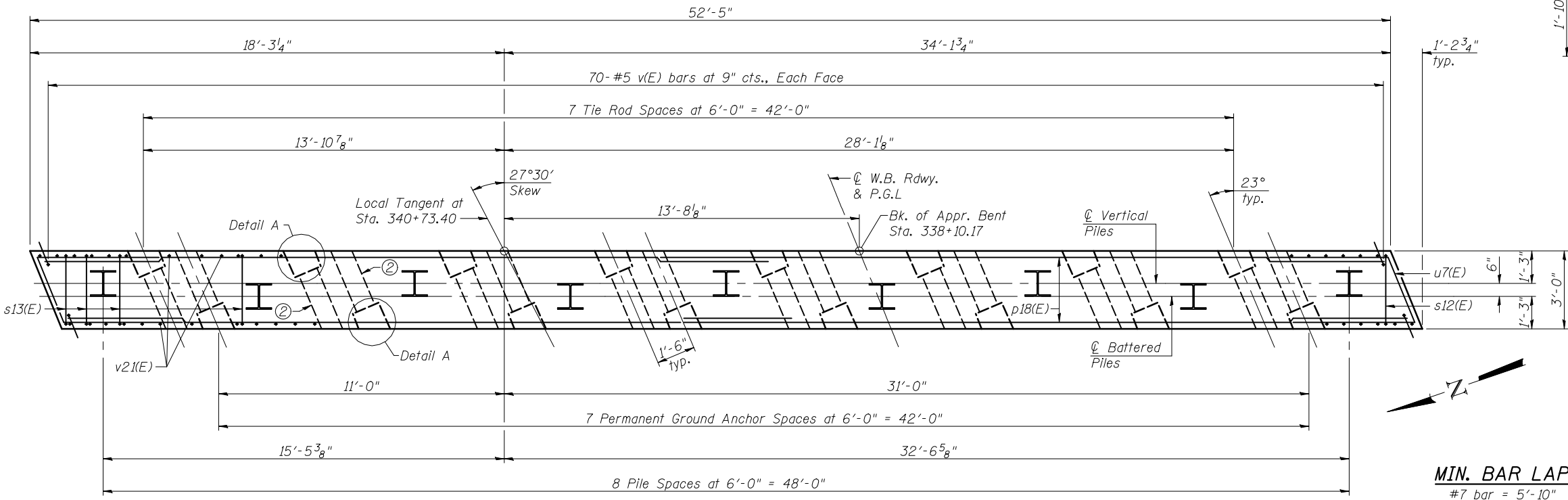
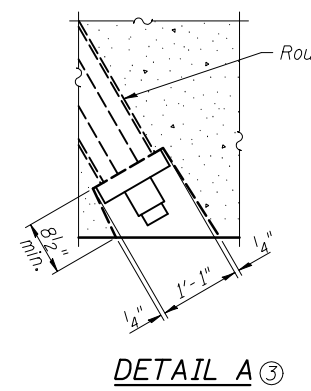


**ELEVATION**  
(Looking East)



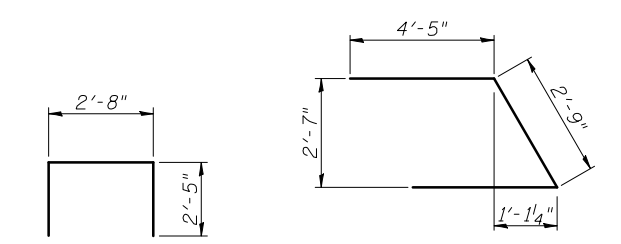
**PLAN**

**PILE DATA**  
 Type: Steel HP 14x89  
 Nominal Required Bearing: 705 kips  
 Factored Resistance Available: 390 kips  
 Est. Length: 94 ft  
 No. Production Piles: 9  
 No. Test Piles: 0



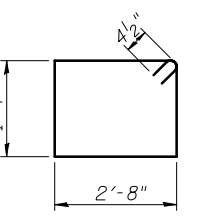
**DETAIL A** ③

- Notes:  
 ① For details of piles, see sheet 47 of 53.  
 ② Round HSS9.625x0.188 conforming to the requirements of ASTM A500 Grade B cast into bent for Tie Rod and Permanent Ground Anchor blockouts. Cost included with Concrete Structures.  
 ③ For details of Tie Rod and Permanent Ground Anchor, see sheet 40 of 53.  
 ④ Fan bars located above the Permanent Ground Anchor blockouts.  
 ⑤ Bars indicated thus 26 x 2-#7 etc. indicates 26 lines of bars with 2 lengths per line.

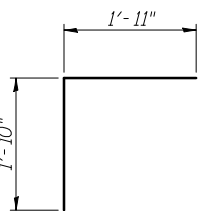


**BARS s12(E)**

**BAR u7(E)**



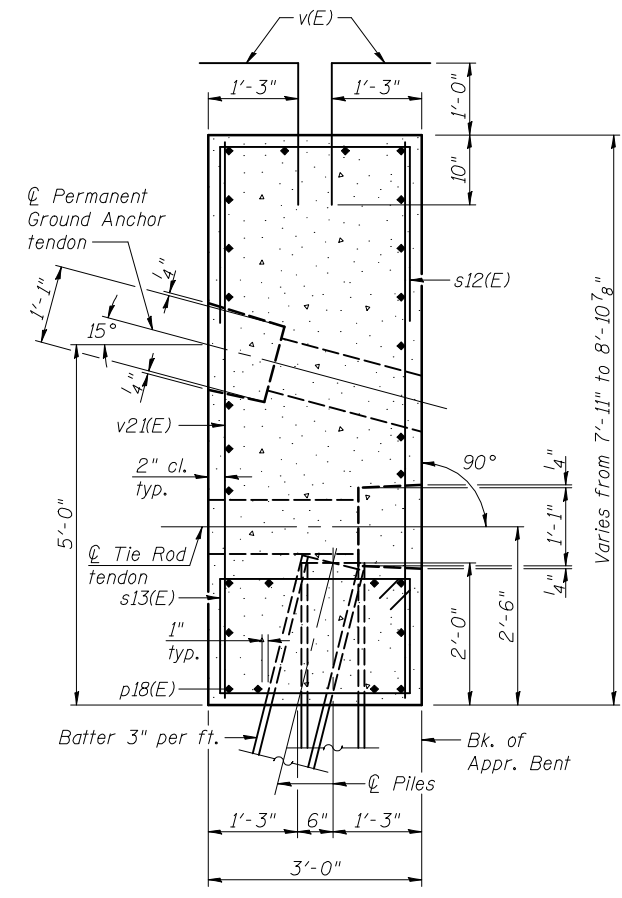
**BARS s13(E)**



**BAR v(E)**

**BILL OF MATERIAL**

Bar	No.	Size	Length	Shape
p18(E)	52	#7	29'-0"	—
s12(E)	69	#4	7'-6"	□
s13(E)	60	#4	9'-3"	□
u7(E)	20	#6	11'-7"	∟
v(E)	140	#5	3'-9"	Γ
v2(E)	110	#5	7'-7"	—
Structure Excavation		Cu. Yd.	143	
Concrete Structures		Cu. Yd.	48.3	
Reinforcement Bars, Epoxy Coated		Pound	5,560	
Furnishing Steel Piles HP14x89		Foot	846	
Driving Piles		Foot	846	



**SEC. THRU APPR. BENT**



11400  
 Eastport Business Center 1  
 100 Lamar Court, Suite 1  
 Columbia, S. C. 29204  
 Tel: 818.545.2200  
 Fax: 818.545.2205  
 www.batesassociates.com

MISSOURI  
 Landmark One Building  
 720 Olive, Suite 1800  
 St. Louis, MO 63101  
 Tel: 314.588.5581  
 Fax: 314.588.9505

USER NAME =	DESIGNED - JAD	REVISED -
	CHECKED - DGL	REVISED -
PLOT SCALE =	DRAWN - JAD	REVISED -
PLOT DATE =	CHECKED - DGL	REVISED -

**STATE OF ILLINOIS**  
**DEPARTMENT OF TRANSPORTATION**

**EAST APPROACH BENT DETAILS**  
**STRUCTURE NO. 039-0076 (W.B.)**  
 SHEET NO. 32 OF 53 SHEETS

F.A.P. RTE.	SECTION	COUNTY	TOTAL SHEETS	SHEET NO.
331	(12-11B-1)	JACKSON	200	144
CONTRACT NO. 78056				
ILLINOIS FED. AID PROJECT				