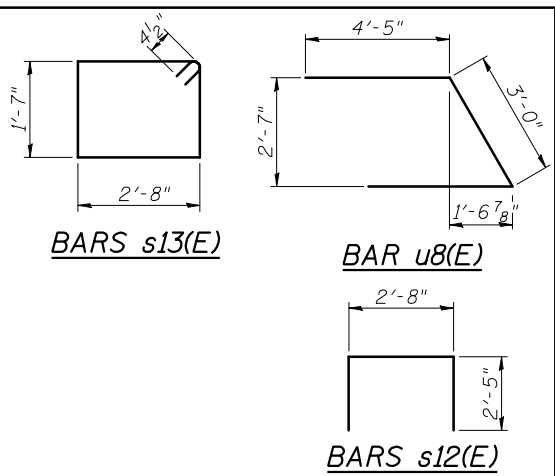


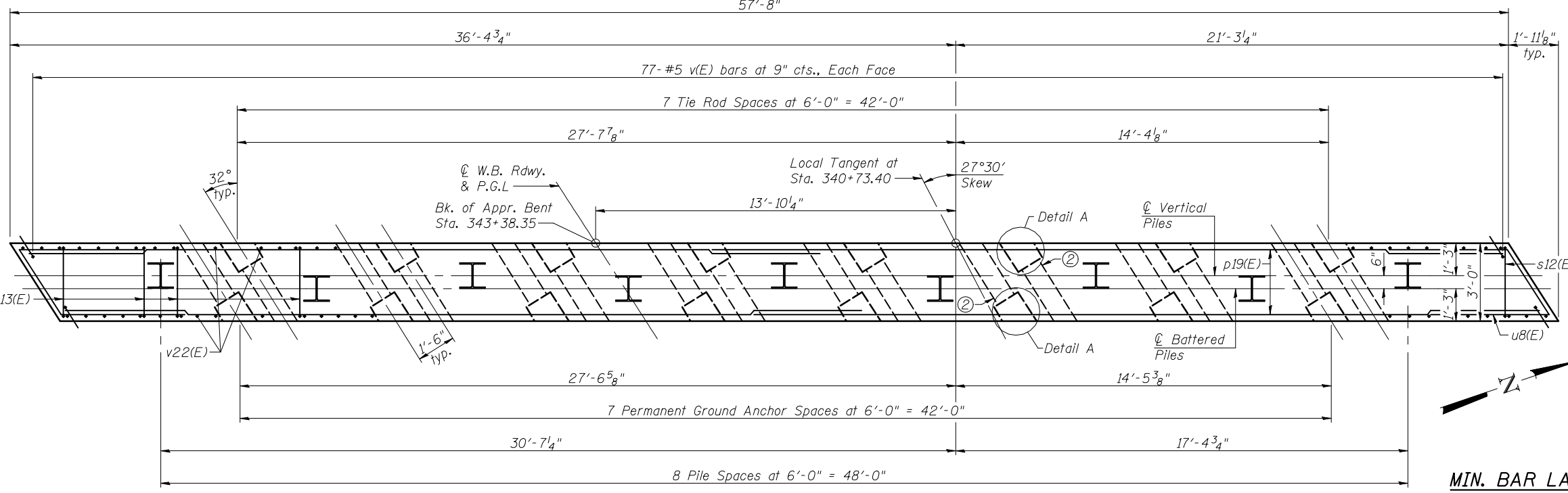
ELEVATION
(Looking West)

MIN. BAR LAP
#7 bar = 5'-10"



BILL OF MATERIAL

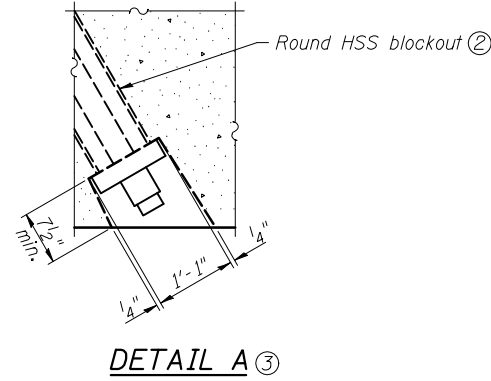
Bar	No.	Size	Length	Shape
p19(E)	52	#7	31'-7"	
s12(E)	75	#4	7'-6"	□
s13(E)	66	#4	9'-3"	□
u8(E)	20	#6	11'-10"	∩
v(E)	154	#5	3'-9"	Γ
v22(E)	122	#5	7'-10"	—
Structure Excavation		Cu. Yd.	157	
Concrete Structures		Cu. Yd.	55.7	
Reinforcement Bars, Epoxy Coated		Pound	6,090	
Furnishing Steel Piles HP14x89		Foot	819	
Driving Piles		Foot	819	



PLAN

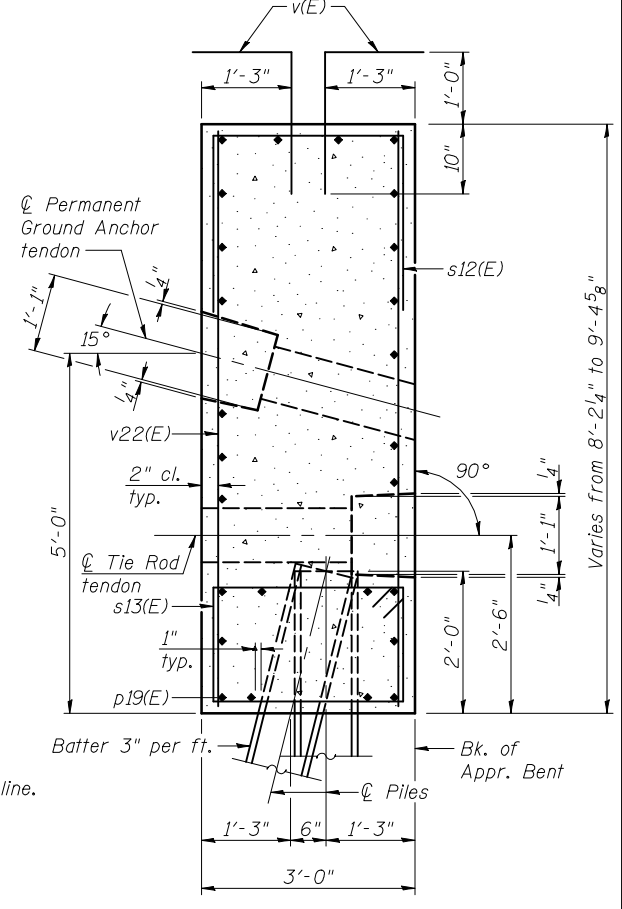
MIN. BAR LAP
#7 bar = 5'-10"

PILE DATA
Type: Steel HP 14x89
Nominal Required Bearing: 705 kips
Factored Resistance Available: 390 kips
Est. Length: 91 ft
No. Production Piles: 9
No. Test Piles: 0



DETAIL A

- Notes:
- For details of piles, see sheet 47 of 53.
 - Round HSS9.625x0.188 conforming to the requirements of ASTM A500 Grade B cast into bent for Tie Rod and Permanent Ground Anchor blockouts. Cost included with Concrete Structures.
 - For details of Tie Rod and Permanent Ground Anchor, see sheet 40 of 53.
 - Fan bars located above the Permanent Ground Anchor blockouts.
 - Bars indicated thus 26 x 2-#7 etc. indicates 26 lines of bars with 2 lengths per line.



SEC. THRU APPR. BENT



USER NAME =	DESIGNED - JAD	REVISED -
PLOT SCALE =	CHECKED - DGL	REVISED -
PLOT DATE =	DRAWN - JAD	REVISED -
	CHECKED - DGL	REVISED -

STATE OF ILLINOIS
DEPARTMENT OF TRANSPORTATION

WEST APPROACH BENT DETAILS
STRUCTURE NO. 039-0076 (W.B.)

SHEET NO. 33 OF 53 SHEETS

F.A.P. RTE.	SECTION	COUNTY	TOTAL SHEETS	SHEET NO.
331	(12-11B-1)	JACKSON	200	145

CONTRACT NO. 78056
ILLINOIS FED. AID PROJECT