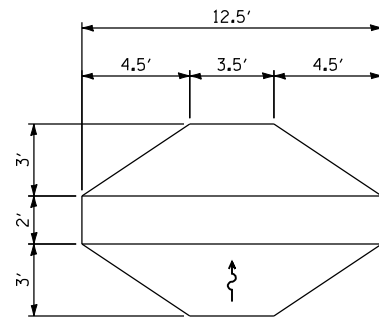
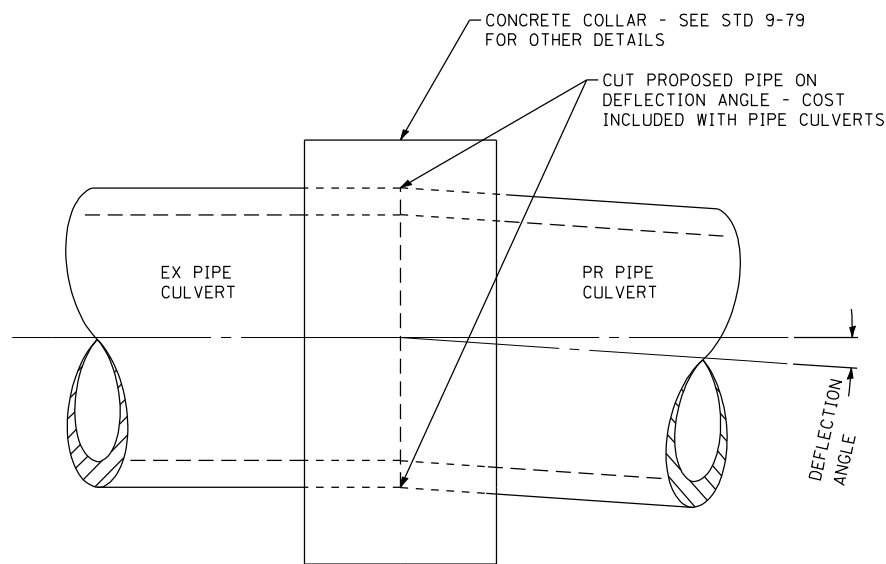


ELEVATION



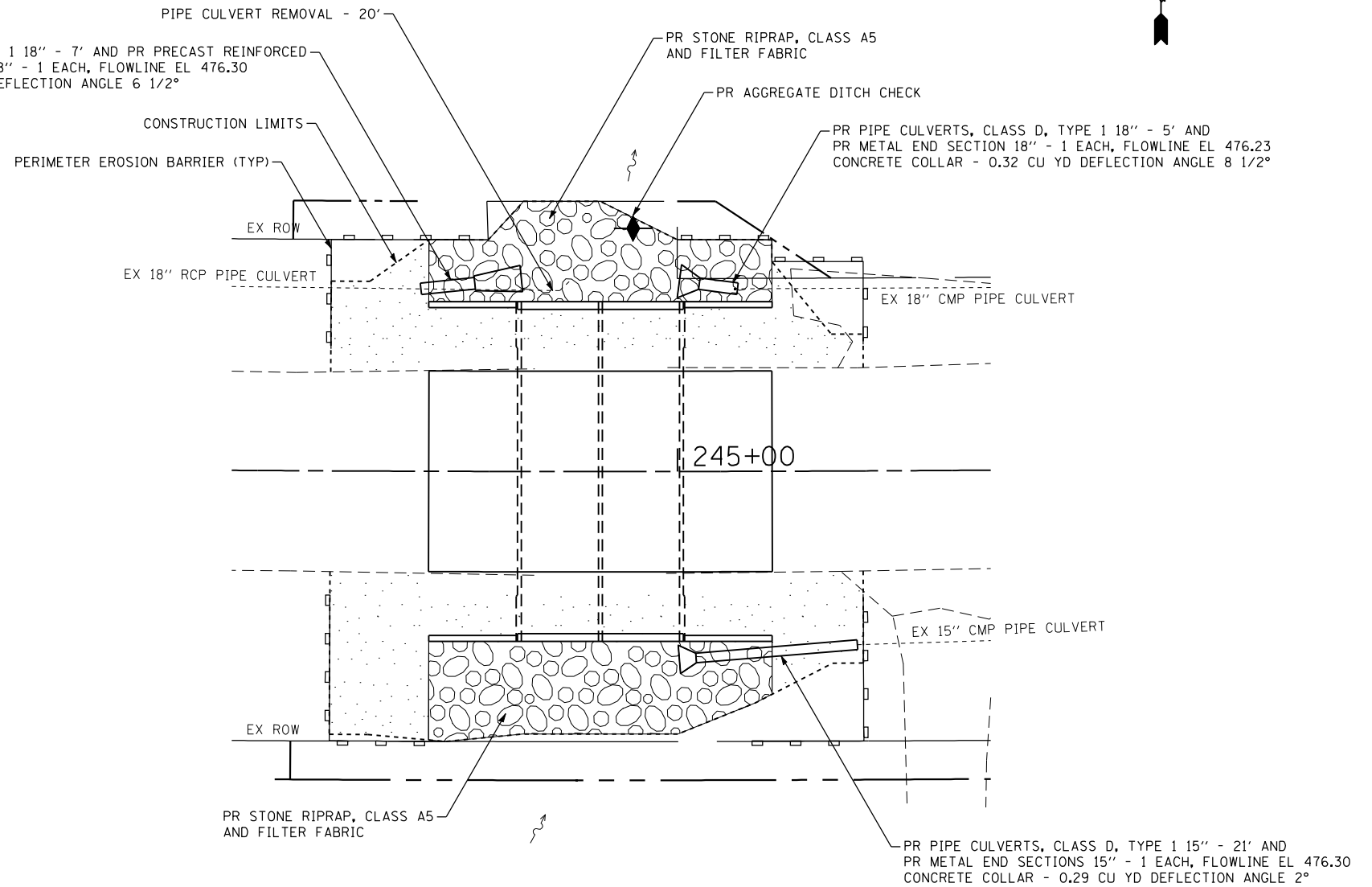
PLAN

AGGREGATE DITCH CHECK



**CONCRETE COLLAR
PLAN VIEW**

PR PIPE CULVERTS, CLASS A, TYPE 1 18" - 7' AND PR PRECAST REINFORCED CONCRETE FLARED END SECTIONS 18" - 1 EACH, FLOWLINE EL 476.30
CONCRETE COLLAR - 0.32 CU YD DEFLECTION ANGLE 6 1/2°



EROSION CONTROL AND DRAINAGE PLAN

TEMPORARY EROSION CONTROL SEEDING AND SEEDING, CLASS 7

CB Coombe-Bloxdorf P.C.
- CIVIL ENGINEERS -
- STRUCTURAL ENGINEERS -
- LAND SURVEYORS -
Design Firm License No. 184-002703

FILE NAME = ...d978090-sht-009-eros.drain.dgn	USER NAME = CFC..	DESIGNED -	REVISED -
		DRAWN - CFC	REVISED -
	PLOT SCALE = 20.000000' / IN.	CHECKED - GLS	REVISED -
CB PROJECT NO 08055-15	PLOT DATE = 12/23/2011	DATE - / /	REVISED -

**STATE OF ILLINOIS
DEPARTMENT OF TRANSPORTATION**

**EROSION CONTROL & DRAINAGE PLAN AND DETAILS
CRAB ORCHARD ROAD / OLD IL 13**

SCALE: SHEET NO. OF SHEETS STA. TO STA.

S.B.I.	SECTION	COUNTY	TOTAL SHEETS	SHEET NO.
13B	6B-1	WILLIAMSON	19	9
			CONTRACT NO. 78090	
ILLINOIS FED. AID PROJECT				