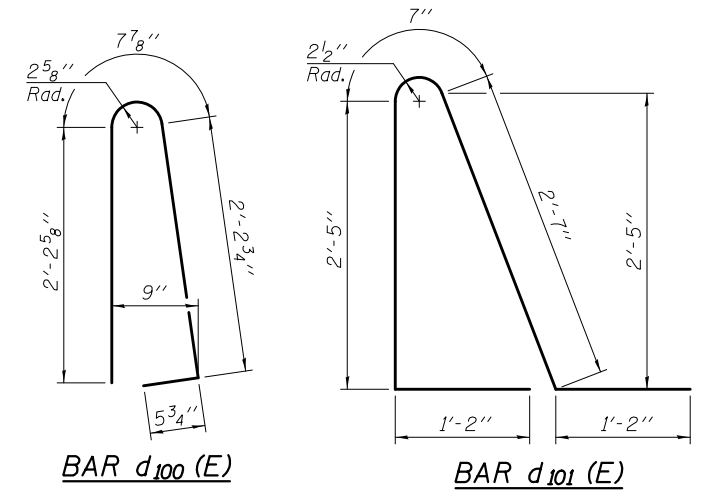
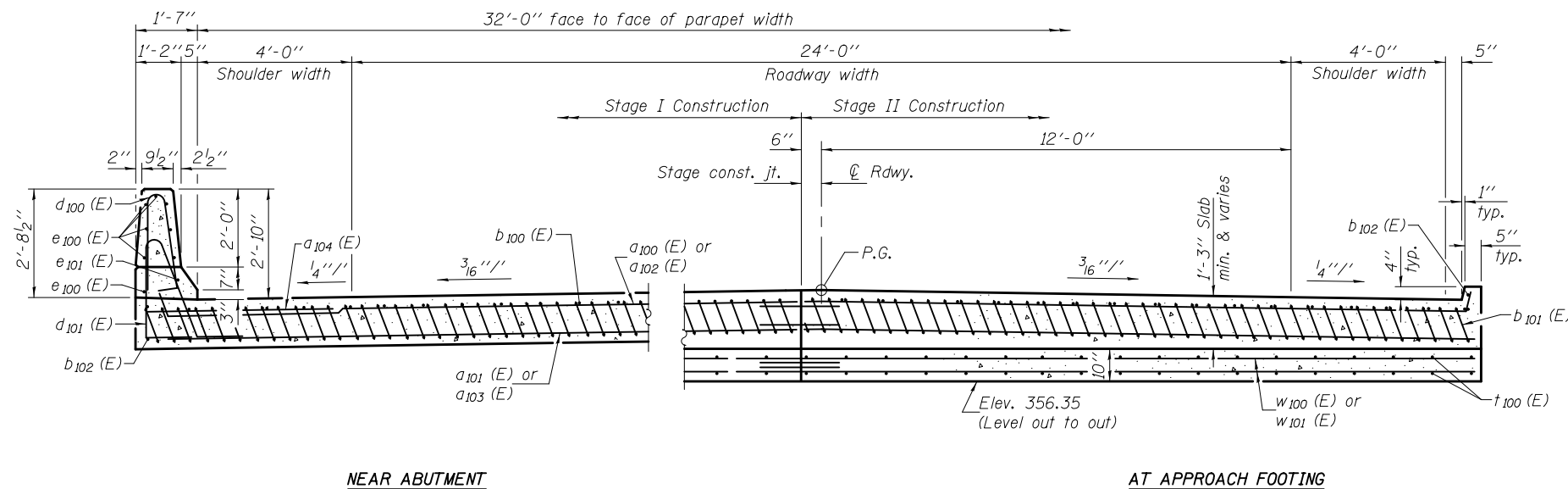


Notes:

See sheet 13 of 25 for Detail A and View B-B.
 Approach slab and parapet concrete shall be paid for as Concrete Superstructure.
 Approach footing concrete shall be paid for as Concrete Structures.
 Reinforcement shall be paid for as Reinforcement Bars, Epoxy Coated.
 For v(E) bar details, see sheet 11 of 25.
 The approach footing maximum applied service bearing pressure (Qmax) = 2.0 ksf.
 For bar splicer details, see sheet 23 of 25.
 Cost of excavation for approach footing included with Concrete Structures.
 For Porous Granular Embankment (Special) and drainage treatment details, see sheet 2 of 25.
 For additional parapet details, see sheet 13 of 25.



*Tilt #9 b101 (E) bars as required to maintain clearance.
 ***Cost included with Concrete Superstructure.

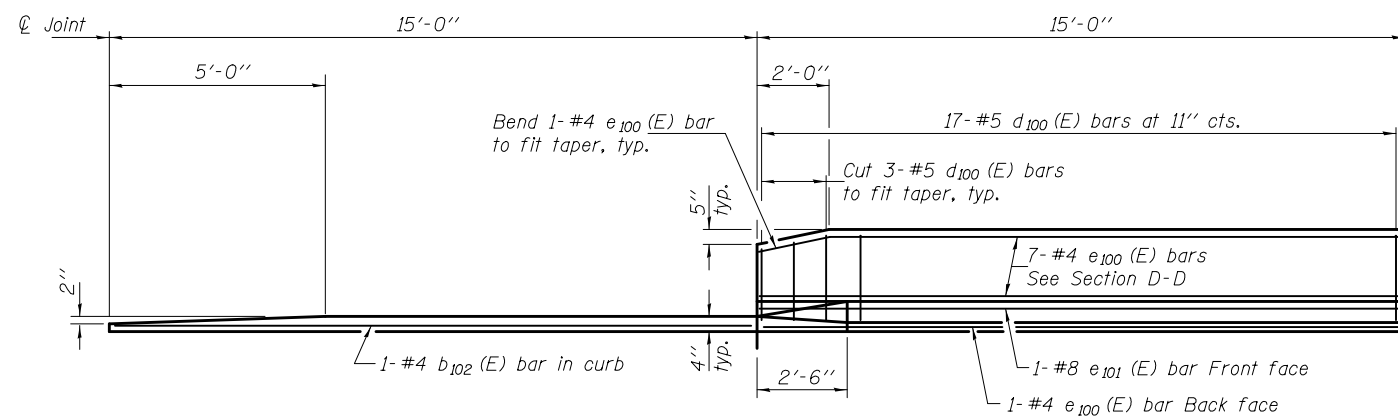


NEAR ABUTMENT

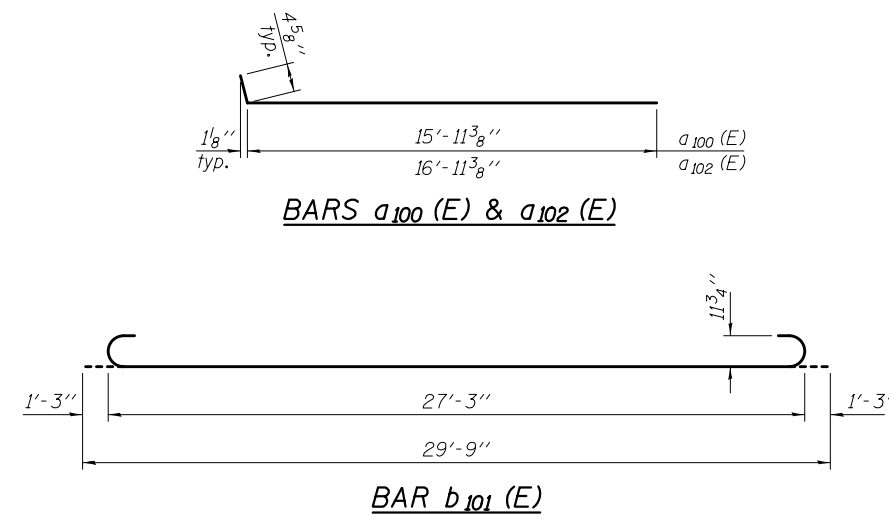
SECTION D-D

(See Plan for dimensions not shown)

AT APPROACH FOOTING



VIEW E-E



TWO APPROACHES
 BILL OF MATERIAL

Bar	No.	Size	Length	Shape
a ₁₀₀ (E)	50	#4	16'-4"	┌───┐
a ₁₀₁ (E)	92	#5	16'-1"	┌───┐
a ₁₀₂ (E)	50	#4	17'-4"	┌───┐
a ₁₀₃ (E)	92	#5	17'-1"	┌───┐
a ₁₀₄ (E)	48	#6	6'-6"	┌───┐
b ₁₀₀ (E)	58	#4	29'-8"	┌───┐
b ₁₀₁ (E)	164	#9	29'-9"	┌───┐
b ₁₀₂ (E)	8	#4	14'-8"	┌───┐
d ₁₀₀ (E)	68	#5	5'-7"	┌───┐
d ₁₀₁ (E)	68	#5	7'-11"	┌───┐
e ₁₀₀ (E)	32	#4	14'-8"	┌───┐
e ₁₀₁ (E)	4	#8	14'-8"	┌───┐
t ₁₀₀ (E)	140	#4	9'-8"	┌───┐
w ₁₀₀ (E)	80	#5	16'-1"	┌───┐
w ₁₀₁ (E)	80	#5	17'-1"	┌───┐
Concrete Superstructure		Cu. Yd.	105.3	
Concrete Structures		Cu. Yd.	20.9	
Reinforcement Bars, Epoxy Coated		Pound	27690	

DESIGNED - Nicholas R. Barnett	EXAMINED - <i>Thomas Domagalak</i>	DATE - MARCH 20, 2012
CHECKED - Michael D. Rolape	ENGINEER OF BRIDGE DESIGN	
DRAWN - h.t. duong	PASSED - <i>Carl Perry</i>	REVISOR
CHECKED - NRB/MDR	ENGINEER OF BRIDGES AND STRUCTURES	REVISOR

STATE OF ILLINOIS
 DEPARTMENT OF TRANSPORTATION

BRIDGE APPROACH SLAB DETAILS
 STRUCTURE NO. 076-0031

SHEET NO. 14 OF 25 SHEETS

F.A.P. RTE.	SECTION	COUNTY	TOTAL SHEETS	SHEET NO.
885	6B-2	POPE	51	31
CONTRACT NO. 78168			ILLINOIS FED. AID PROJECT	