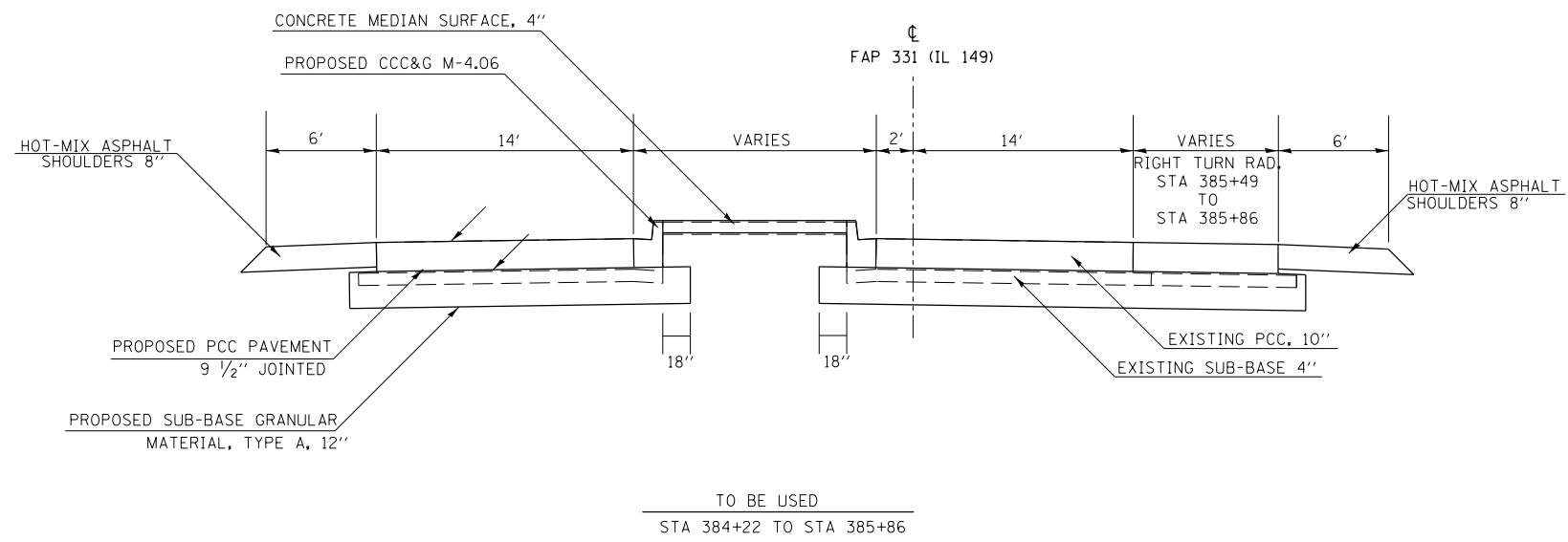


MATCH EXISTING
PAVEMENT SLOPES

CONCRETE MEDIAN, TYPE SM-4.06
STA 383+60 TO STA 384+22
CONSTRUCT ACCORDING TO STANDARD 606301



FILE NAME =	USER NAME = \$USER\$	DESIGNED -	REVISED -
et:\pwork\pwork\kellykd\0278547\78261-sht-typical.dgn		DRAWN -	REVISED -
	PLOT SCALE = 10.0000' / 1"	CHECKED -	REVISED -
	PLOT DATE = 2/7/2012	DATE -	REVISED -

**STATE OF ILLINOIS
DEPARTMENT OF TRANSPORTATION**

**TYPICAL SECTION
IL 149**

SCALE: SHEET OF SHEETS STA. TO STA.

F.A.P. RTE.	SECTION	COUNTY	TOTAL SHEETS	SHEET NO.
331	(130'101N-1)	JACKSON	41	7
CONTRACT NO. 78261				
ILLINOIS FED. AID PROJECT				