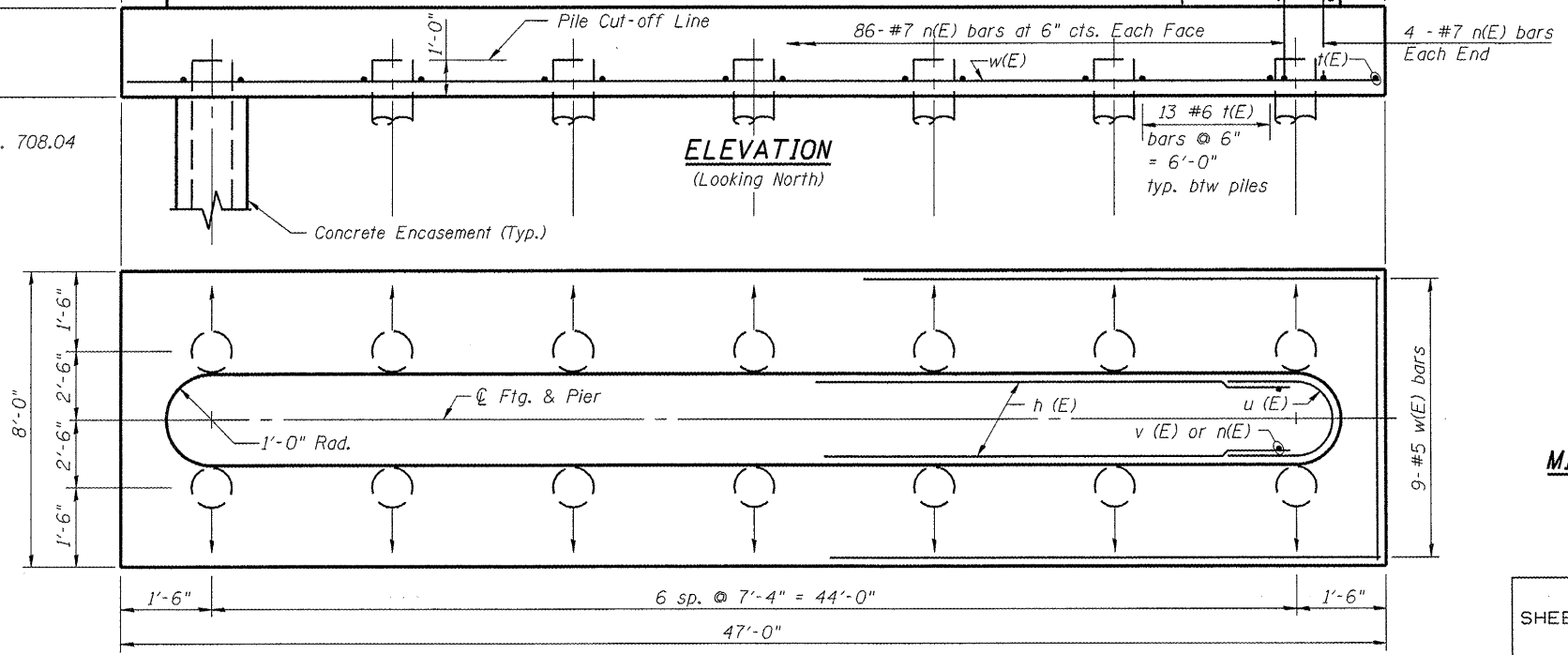
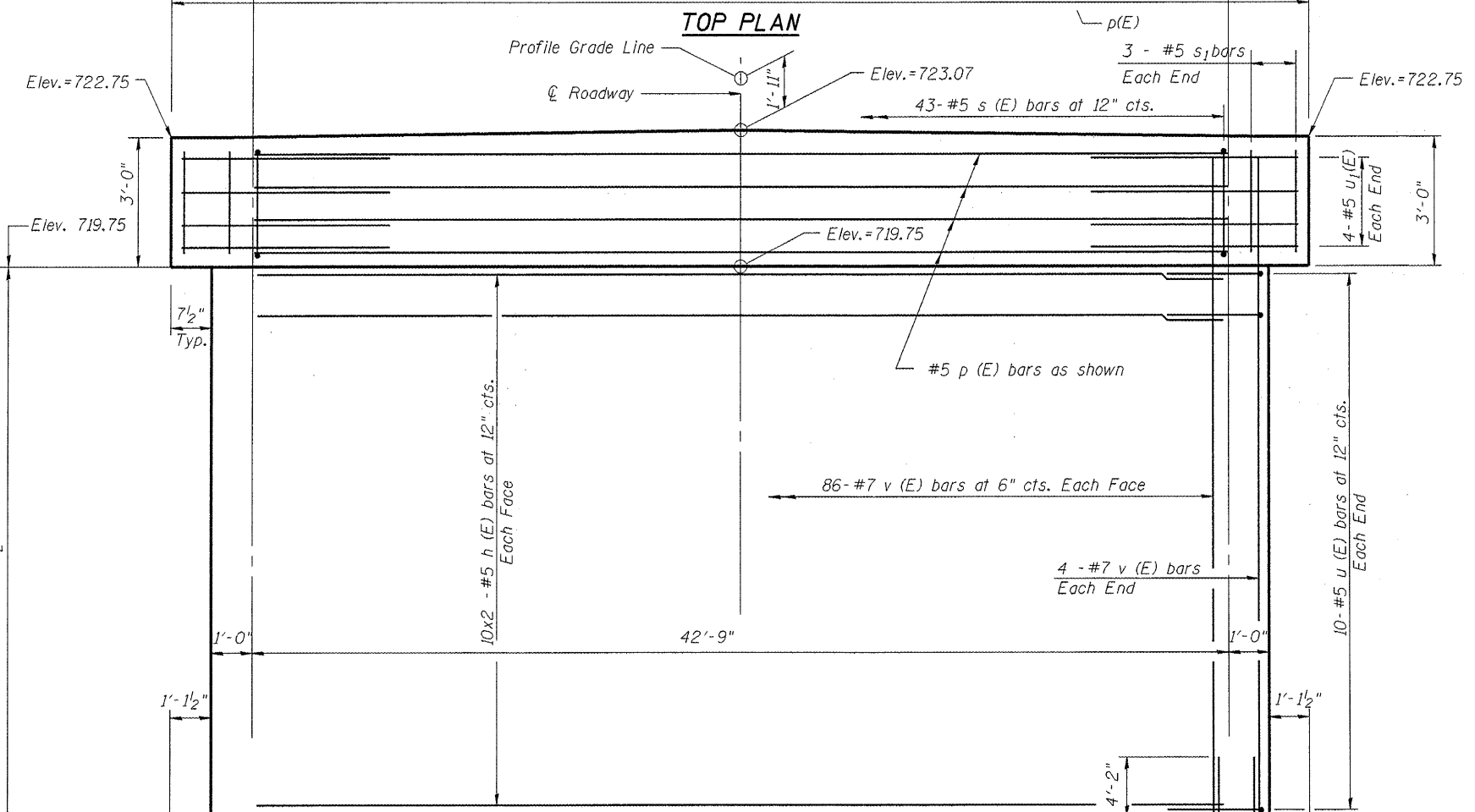
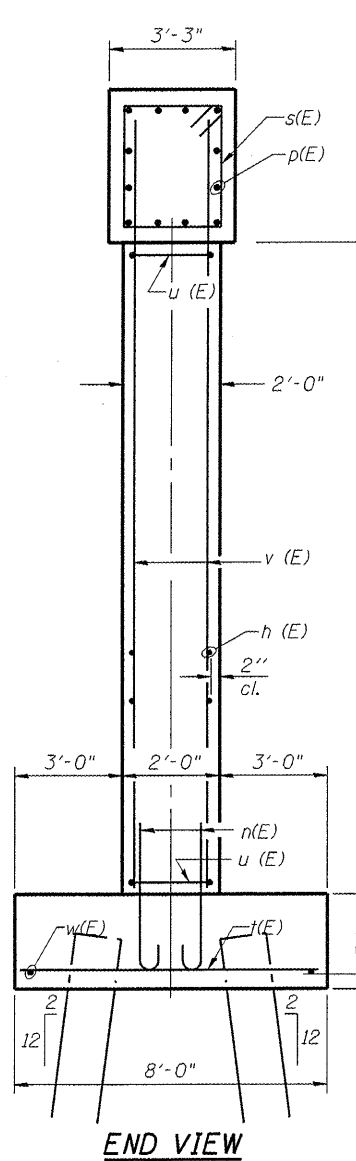
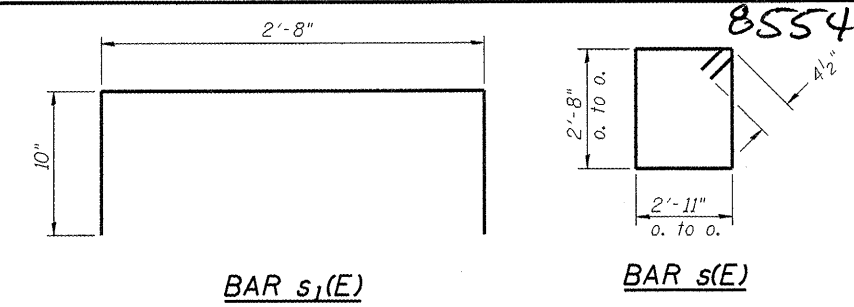
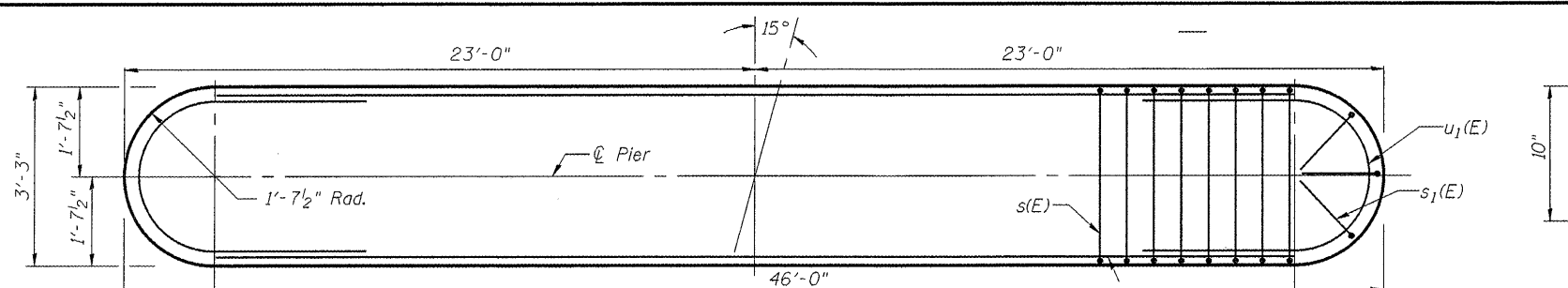


Notes:  
 Space reinforcement in cap to miss anchor bolts.  
 Pour steps monolithically with cap.  
 For details of piles, see sheet S9 of 11.

**PILE DATA**

Pile Type and Size: 14 in. dia. x 0.25 in. walls  
 Nominal Required Bearing : 270 Kips  
 Factored Resistance Available : 180 Kips  
 Est. Length : 60 feet  
 No. Req'd: 13 + 1 Test Pile

85547



**BILL OF MATERIAL**

Bar	No.	Size	Length	Shape
h (E)	40	#5	22'-8"	—
n(E)	180	#7	7'-3"	U
p(E)	24	#5	22'-8"	—
s(E)	43	#5	11'-11"	□
s1(E)	6	#5	4'-4"	□
t (E)	82	#6	7'-8"	—
u (E)	20	#5	7'-9"	U
u1(E)	8	#5	9'-9"	U
v (E)	180	#7	12'-0"	—
w (E)	18	#5	25'-4"	—
Structure Excavation			Cu. Yd.	73
Concrete Structures			Cu. Yd.	82.2
Reinforcement Bars, Epoxy Coated			Pound	10,820
Furnishing Metal Shell Piles, 14" x 0.250"			Foot	780
Driving Piles			Foot	780
Test Pile			Each	1
Concrete Encasement			Cu. Yd.	4.5

**MINIMUM BAR LAP**  
 #5 bar = 2'-7"  
 #7 bar = 4'-2"

For details of piles and concrete encasement, see sheet S9 of 14.

**PIER**  
**STRUCTURE NO. 101-6421**

SHEET NO. S8	F.A. RTE.	SECTION	COUNTY	TOTAL SHEETS	SHEET NO.
	-	08-00069-00-BR	WINNEBAGO	21	14
14 SHEETS	CONTRACT NO. 85547				
FED. ROAD DIST. NO.		ILLINOIS	FED. AID PROJECT		