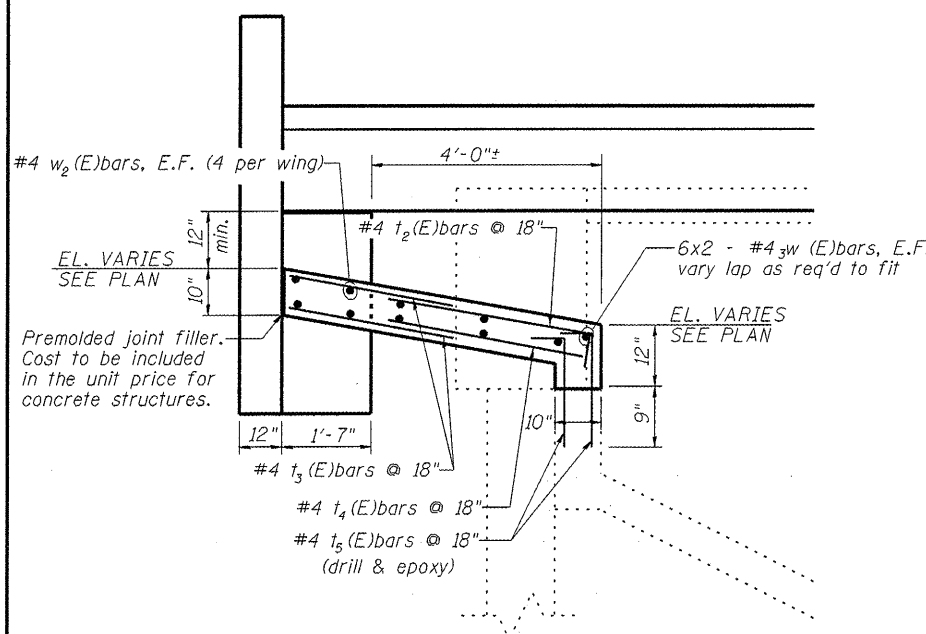
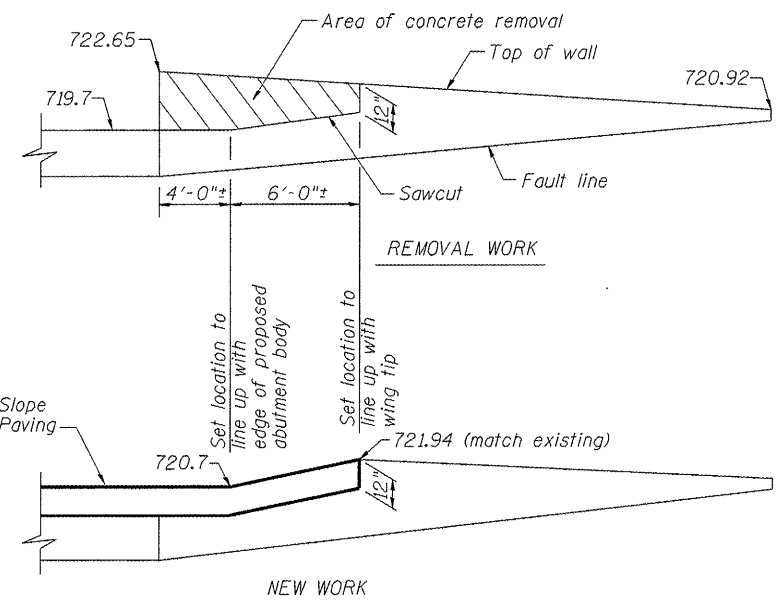


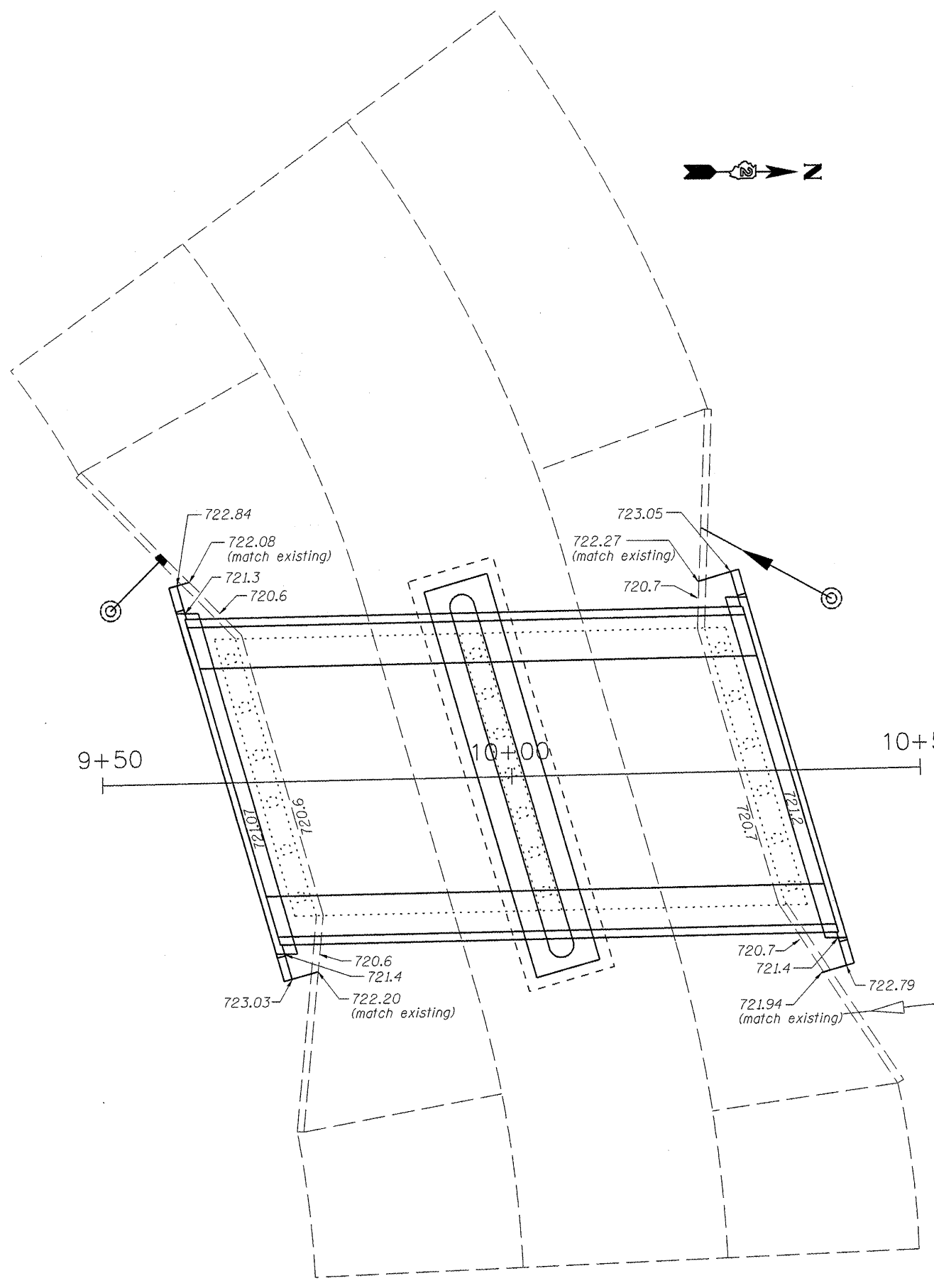
85547



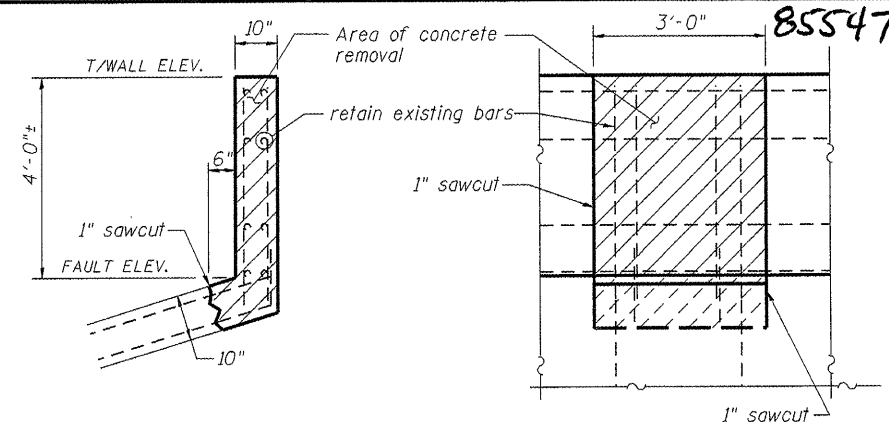
TYPICAL SECTION - SLOPE PAVING



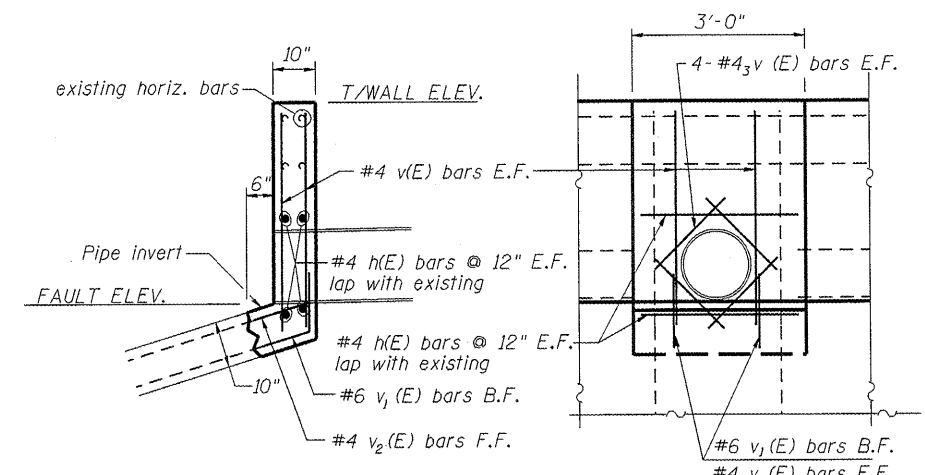
RETAINING WALL RETROFIT ELEVATION DETAIL
NE LOCATION SHOWN - OTHERS SIMILAR



RETAINING WALL RETROFIT DETAIL



SECTION
ELEVATION
STORM SEWER PENETRATION CONCRETE REMOVAL



SECTION
ELEVATION
STORM SEWER PENETRATION DETAIL

**STORM SEWER PIPE PENETRATIONS
SUGGESTED CONSTRUCTION SEQUENCE:**

- 1) Remove existing concrete as shown to accommodate new storm sewer pipe, preserving existing reinforcement bars (2 locations).
- 2) Cut existing reinforcement bars as required to place new storm sewer pipe.
- 3) Place new storm sewer pipe and grout into place.
- 4) Replace all cut bars with new steel and tie to remaining existing bars.
- 5) Cast new concrete around new storm sewer pipe.
- 6) Grout full existing penetrations in channel from storm sewer being abandoned.

**CHANNEL LINER RESTORATION
SHEET 2 OF 2
STRUCTURE NO. 101-6421**

SHEET NO. S12	F.A. RTE.	SECTION	COUNTY	TOTAL SHEETS	SHEET NO.
	-	08-00069-00-BR	WINNEBAGO	21	18
14 SHEETS	CONTRACT NO. 85547				
FED. ROAD DIST. NO.		ILLINOIS	FED. AID PROJECT		