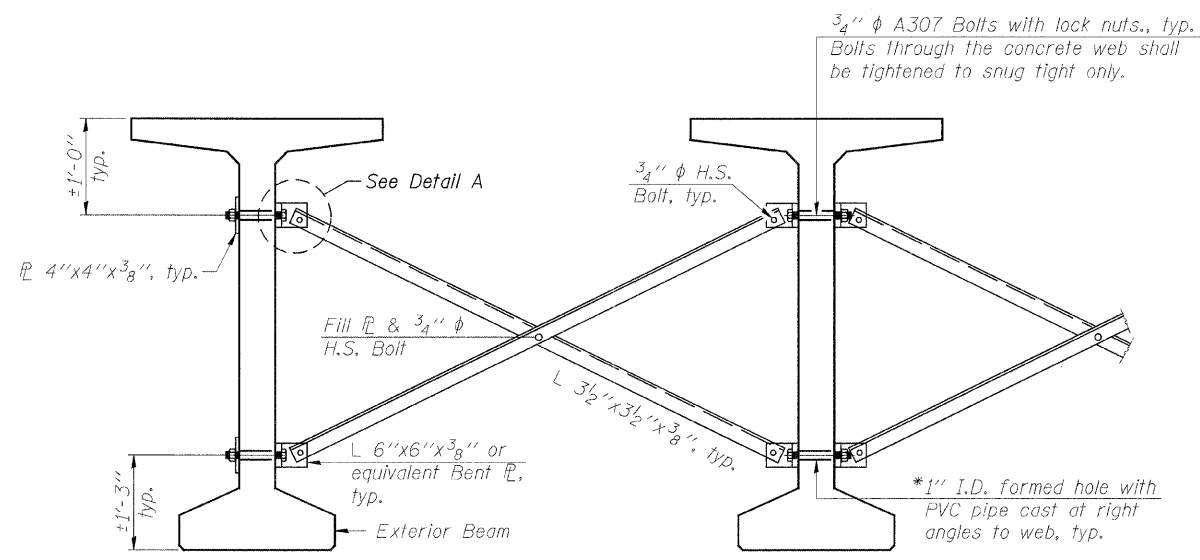


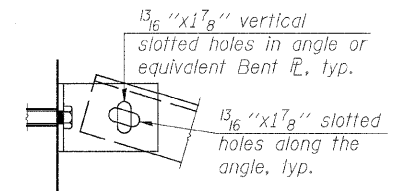
PLAN

INTERIOR BEAM MOMENT TABLE		Sp. 1
I	(in^4)	392,638
I'	(in^4)	749,655
S_b	(in^3)	12,224
S_b'	(in^3)	16,166
S_1	(in^3)	12,715
S_1'	(in^3)	45,078
$DC1$	(k')	1.499
M_{DC1}	(k)	2,125.3
$DC2$	(k')	0.180
M_{DC2}	(k)	255.2
DW	(k')	0.313
M_{DW}	(k)	443.8
$M_{\Sigma} \cdot IM$	(k)	1,797.1

INTERIOR BEAM REACTION TABLE		Abut.
R_{DC1}	(k)	79.8
R_{DC2}	(k)	9.6
R_{DW}	(k)	16.7
$R_{\Sigma} \cdot IM$	(k)	93.7
R_{Total}	(k)	199.8



PERMANENT BRACING DETAILS FOR BULB-T BEAMS



DETAIL A

- NOTES:**
- All material for bracing shall be hot dip galvanized according to AASHTO M111 unless otherwise noted.
 - Two hardened washers are required for each set of oversized holes.
 - All holes shall be $15/16$ " ϕ unless otherwise noted.
 - $5/16$ " x 3" x 3" plate washers are required over all slotted holes.
 - All bolts shall be galvanized according to AASHTO M232.
 - Bracing shall be installed as beams are erected and tightened as soon as possible during erection.
 - Permanent bracing shall not be paid for separately, but shall be included in the cost of Furnishing and Erecting Precast Prestressed Concrete Bulb T-Beams.
 - * Fabricator shall locate to miss strands within permissible tolerances.

FILE = J:\1156D08\Beh\31_ene\11a_Design\Structure\1156D08\Framing\plan.dgn

DESIGNED -	B.K.C.	REVISED -	
CHECKED -	M.A.C.	REVISED -	
DRAWN -	F.D.L.	REVISED -	
CHECKED -	B.K.C.	REVISED -	

LASALLE COUNTY
C.H. 13 OVER TOMAHAWK CREEK
STATION 20 + 00

FRAMING PLAN
STRUCTURE NO. 050-3604

STRUCTURAL SHEET NO. 7 OF 18 SHEETS

F.A.S. RTE.	SECTION	COUNTY	TOTAL SHEETS	SHEET NO.
260	10-00651-00-BR	LASALLE	51	24
WHA# 1156D08		CONTRACT NO. 87466		
FED. ROAD DIST. NO. - [ILLINOIS] FED. AID PROJ. ECT BRS-0260105				