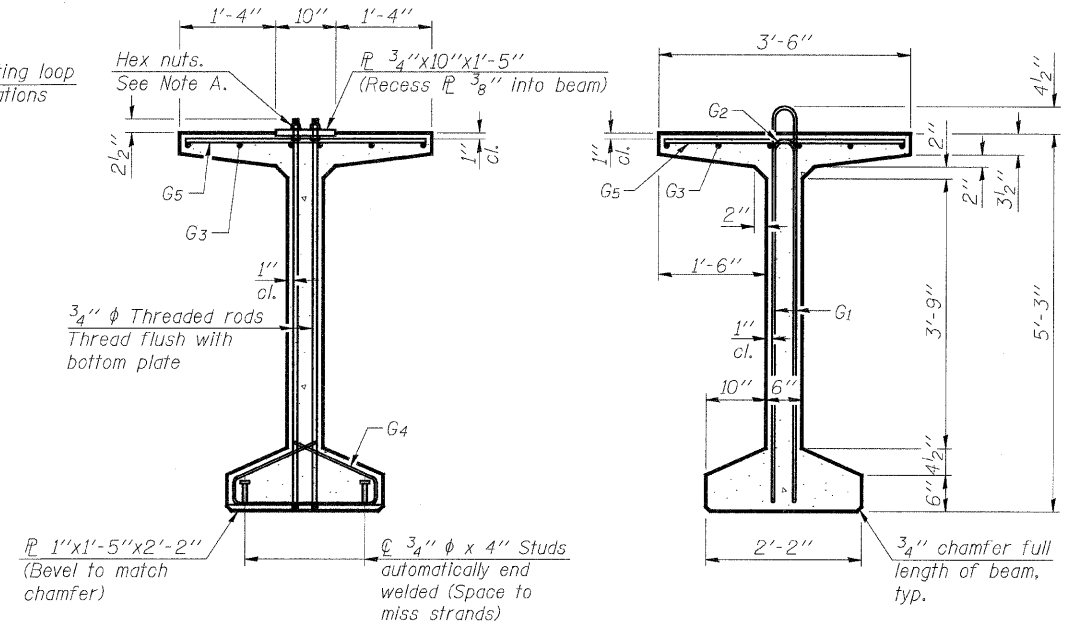


ELEVATION OF BEAM
(Showing reinforcement & dimensions)

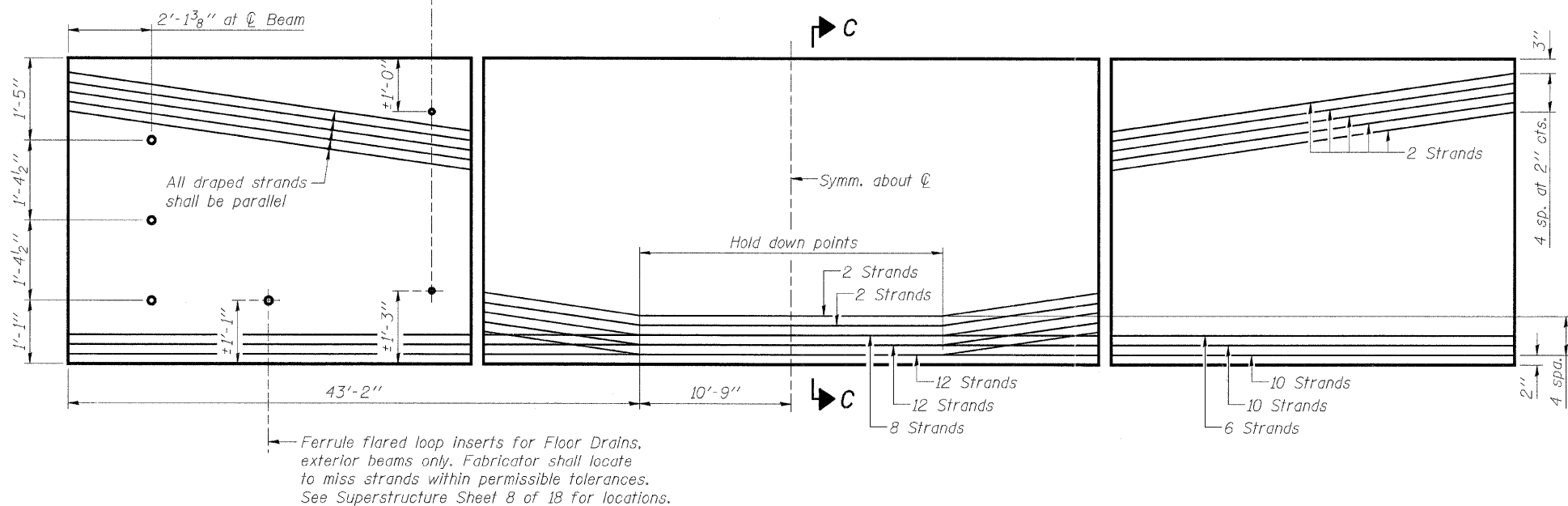
* 4 spaces at 3/4" = 1'-1"
 ** 5-3/4" φ threaded dowel rods at 3/4" cts., each face.



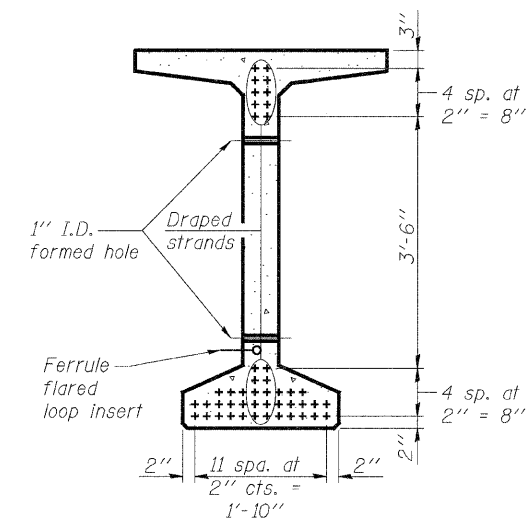
SECTION A-A

SECTION B-B

φ 1" I.D. formed hole with PVC pipe cast at right angles to web for permanent bracing, typ. Fabricator shall locate to miss strands within permissible tolerances. See Framing Plan Sheet 7 of 18 for locations.



ELEVATION OF BEAM
(Showing prestressing steel)



SECTION C-C

*****BAR LIST
ONE BEAM ONLY**

Bar	No.	Size	Length	Shape
G1	179	#4	11'-11"	⊏
G2	16	#4	10'-2"	⊏
G3	12	#6	55'-1"	⊏
G4	56	#3	4'-11"	⊏
G5	144	#5	3'-4"	⊏

***For information only.

NOTES:

See Structural Sheet 13 of 18 for additional details and Bill of Material.

Required release strength, f'ci, shall be 6,000 psi.

See Structural Sheet 7 of 18 for permanent bracing details.

See Structural Sheet 9 of 18 for floor drain details.



DESIGNED - B.K.C.	REVISED -
CHECKED - M.A.C.	REVISED -
DRAWN - F.D.L.	REVISED -
CHECKED - B.K.C.	REVISED -

**LASALLE COUNTY
C.H. 13 OVER TOMAHAWK CREEK
STATION 20 + 00**

**63" PPC BULB T-BEAM
STRUCTURE NO. 050-3604**

STRUCTURAL SHEET NO. 12 OF 18 SHEETS

F.A.S. RTE.	SECTION	COUNTY	TOTAL SHEETS	SHEET NO.
260	10-00651-00-BR	LASALLE	51	29
WHA# 1156009			CONTRACT NO. 87466	
FED. ROAD DIST. NO. -		NOIS FED. AID PROJECT BRS-0260105		