

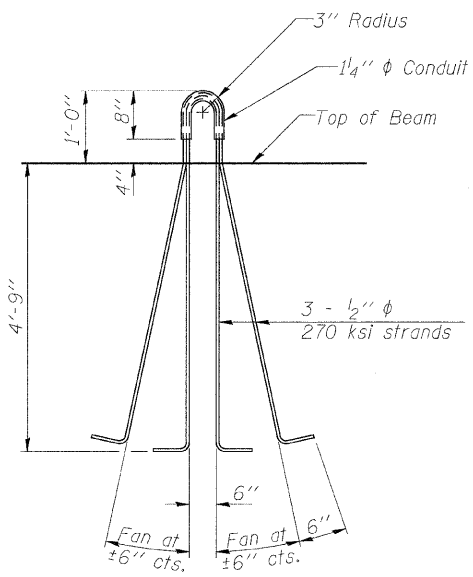
Beam ends shall be set on an initial 1/2" min. grout (2:1 sand and portland cement, very dry mix) to provide full bearing. Any excess grout squeezed out from under the beam shall be removed. Cost included with Concrete Structures.

ELEVATION OF BEAM AT ABUTMENT

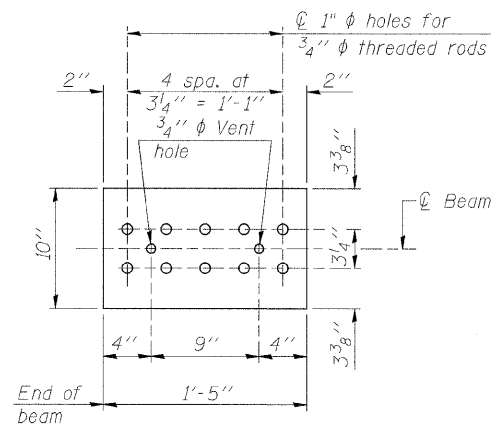
NOTCH DETAIL
(Plan View Top Flange)

NOTES:

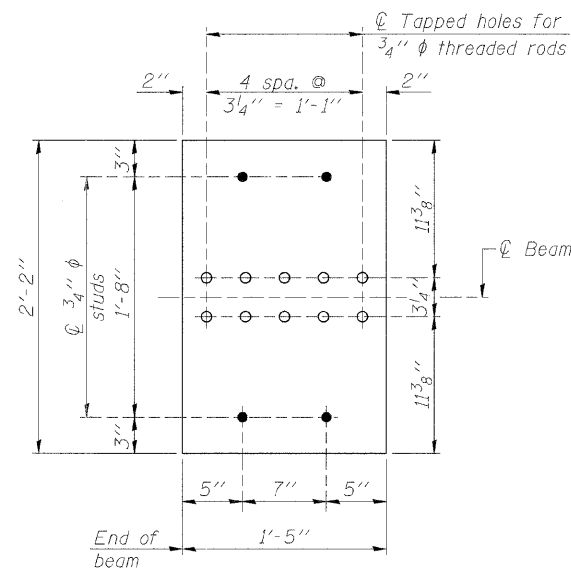
Inserts for 3/4" ϕ threaded dowel rods, when specified, are to be two strut, ferrule type for interior beams and single ferrule, flared loop type for exterior beams.
 Prestressing steel shall be uncoated high strength, low relaxation 7-wire strand, Grade 270. The nominal diameter shall be 1/2" and the nominal cross-sectional area shall be 0.153 sq. in.
 Reinforcement bars shall conform to ASTM A 706, Grade 60. (See Special Provisions).
 A minimum 2 1/2" ϕ lifting pin shall be used to engage the lifting loops during handling.
 The top and bottom plates shall be AASHTO M270 Grade 50.
 The bottom plates and studs shall be galvanized according to AASHTO M111. Top plates and threaded rods need not be galvanized.
 Threaded rods shall be ASTM F 1554 Grade 55.



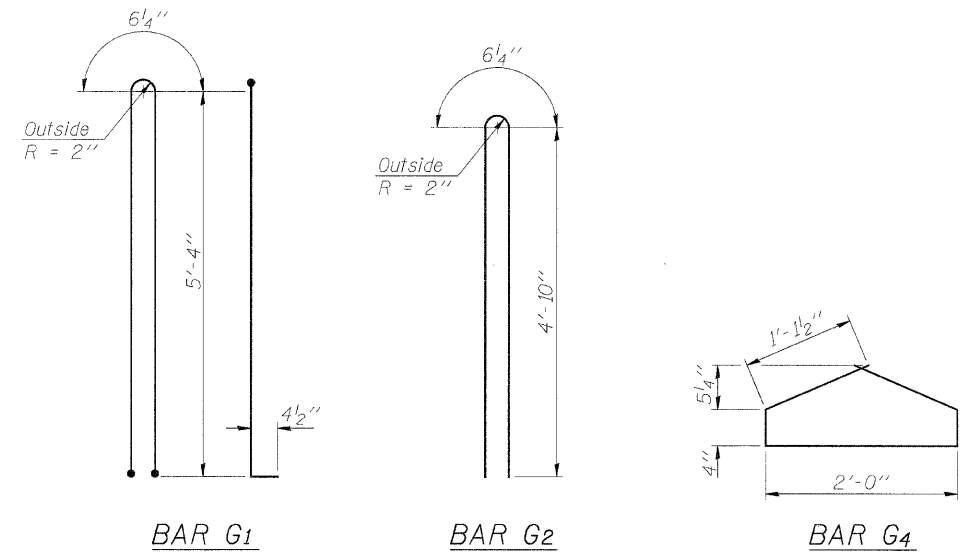
LIFTING LOOP DETAIL



TOP PLATE



BOTTOM PLATE



BILL OF MATERIAL

Item	Unit	Total
Furnishing and Erecting Precast Prestressed Concrete Bulb T-Beams, 63"	Foot	539

FILE = J:\1156006\ch13\onallie\Design\Struct\1156006\PCBeam.dgn



DESIGNED - B.K.C.	REVISED -
CHECKED - M.A.C.	REVISED -
DRAWN - F.D.L.	REVISED -
CHECKED - B.K.C.	REVISED -

LASALLE COUNTY
C.H. 13 OVER TOMAHAWK CREEK
STATION 20+00

63" PPC BULB T-BEAM DETAILS
STRUCTURE NO. 050-3604

STRUCTURAL SHEET NO. 13 OF 18 SHEETS

F.A.S. RTE.	SECTION	COUNTY	TOTAL SHEETS	SHEET NO.
260	10-00651-00-BR	LASALLE	51	30
WHA* 1156D08		CONTRACT NO. 87466		
FED. ROAD DIST. NO.		FED. AID PROJECT BRS-0260(105)		