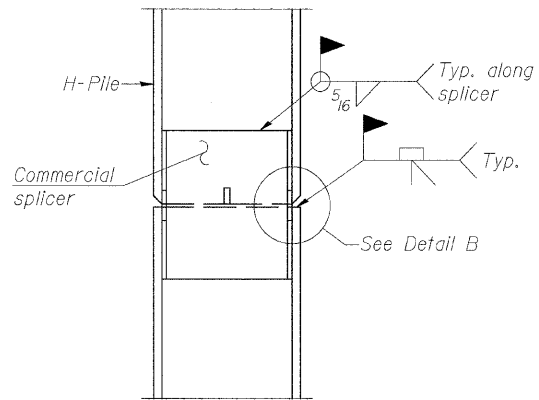
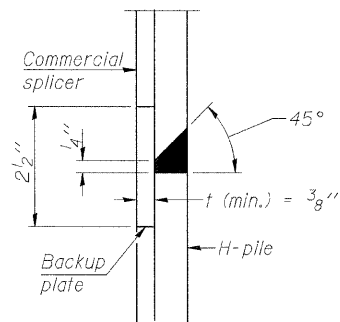


STEEL PILE TABLE

Designation	Depth d	Flange width b _f	Web and Flange thickness t	Encasement diameter A
HP 14x117	14 ¹ / ₄ "	14 ⁷ / ₈ "	1 ³ / ₁₆ "	30"
x102	14"	14 ³ / ₄ "	1 ¹ / ₁₆ "	30"
x89	13 ⁷ / ₈ "	14 ³ / ₄ "	5 ⁵ / ₈ "	30"
x73	13 ⁵ / ₈ "	14 ⁵ / ₈ "	1 ¹ / ₂ "	30"
HP 12x84	12 ¹ / ₄ "	12 ¹ / ₄ "	1 ¹ / ₁₆ "	24"
x74	12 ¹ / ₈ "	12 ¹ / ₄ "	5 ⁵ / ₈ "	24"
x63	12"	12 ¹ / ₈ "	1 ¹ / ₂ "	24"
x53	11 ³ / ₄ "	12"	7 ¹ / ₁₆ "	24"
HP 10x57	10"	10 ¹ / ₄ "	9 ¹ / ₁₆ "	24"
x42	9 ³ / ₄ "	10 ¹ / ₈ "	7 ¹ / ₁₆ "	24"
HP 8x36	8"	8 ¹ / ₈ "	7 ¹ / ₁₆ "	18"

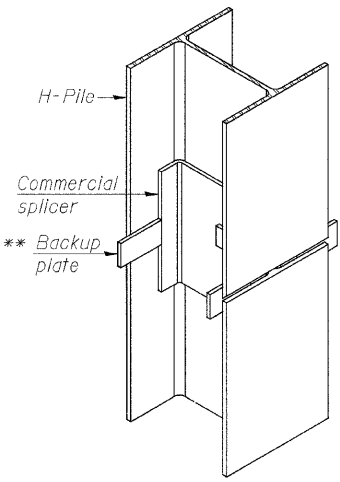


ELEVATION

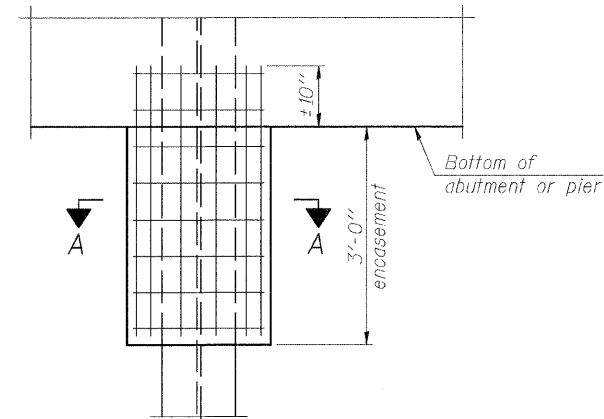


DETAIL "B"

WELDED COMMERCIAL SPLICE

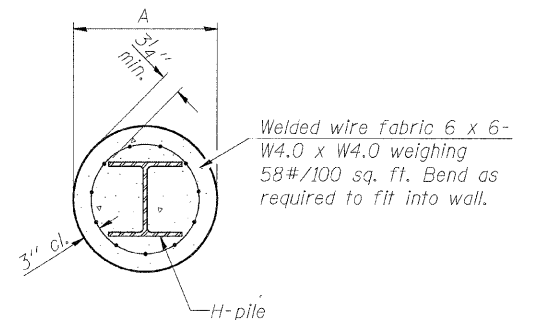


ISOMETRIC VIEW



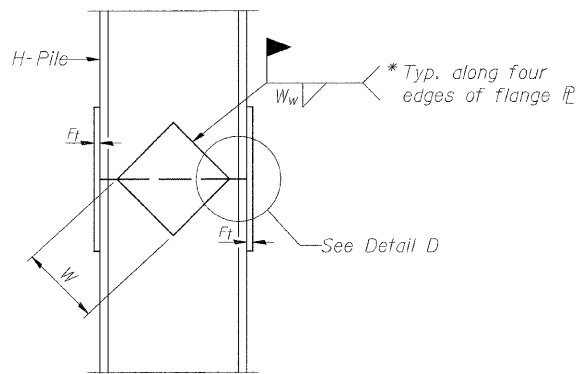
ELEVATION

PILE ENCASEMENT

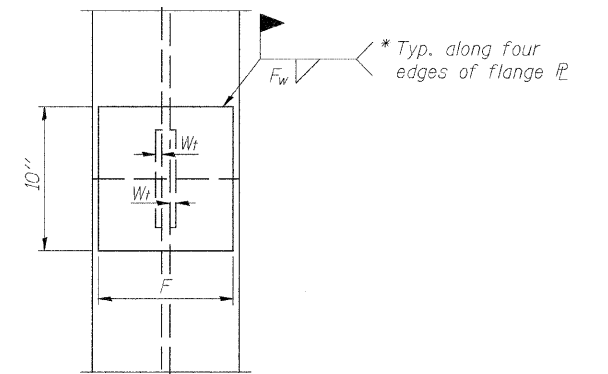


SECTION A-A

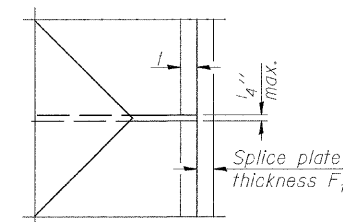
Note:
Forms for encasement may be omitted when soil conditions permit.



ELEVATION



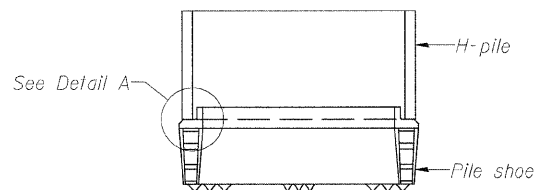
END VIEW



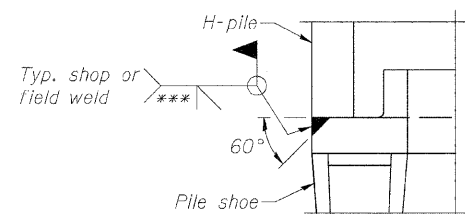
DETAIL D

WELDED PLATE FIELD SPLICE

Designation	F	F _t	F _w	W	W _t	W _w
HP 14x117	12 ¹ / ₂ "	1"	7 ³ / ₈ "	7 ³ / ₄ "	5 ⁵ / ₈ "	1 ¹ / ₂ "
x102	12 ¹ / ₂ "	7 ³ / ₈ "	3 ³ / ₄ "	7 ³ / ₄ "	5 ⁵ / ₈ "	1 ¹ / ₂ "
x89	12 ¹ / ₂ "	3 ³ / ₄ "	1 ¹ / ₁₆ "	7 ³ / ₄ "	5 ⁵ / ₈ "	1 ¹ / ₂ "
x73	12 ¹ / ₂ "	5 ⁵ / ₈ "	9 ¹ / ₁₆ "	7 ³ / ₄ "	5 ⁵ / ₈ "	1 ¹ / ₂ "
HP 12x84	10"	7 ³ / ₈ "	1 ¹ / ₁₆ "	6 ¹ / ₂ "	5 ⁵ / ₈ "	1 ¹ / ₂ "
x74	10"	7 ³ / ₈ "	1 ¹ / ₁₆ "	6 ¹ / ₂ "	5 ⁵ / ₈ "	1 ¹ / ₂ "
x63	10"	5 ⁵ / ₈ "	1 ¹ / ₂ "	6 ¹ / ₂ "	1 ¹ / ₂ "	3 ³ / ₈ "
x53	10"	5 ⁵ / ₈ "	1 ¹ / ₂ "	6 ¹ / ₂ "	1 ¹ / ₂ "	3 ³ / ₈ "
HP 10x57	8"	3 ³ / ₄ "	9 ¹ / ₁₆ "	5 ¹ / ₄ "	1 ¹ / ₂ "	3 ³ / ₈ "
x42	8"	5 ⁵ / ₈ "	9 ¹ / ₁₆ "	5 ¹ / ₄ "	1 ¹ / ₂ "	3 ³ / ₈ "
HP 8x36	7"	5 ⁵ / ₈ "	7 ¹ / ₁₆ "	4 ¹ / ₄ "	1 ¹ / ₂ "	3 ³ / ₈ "

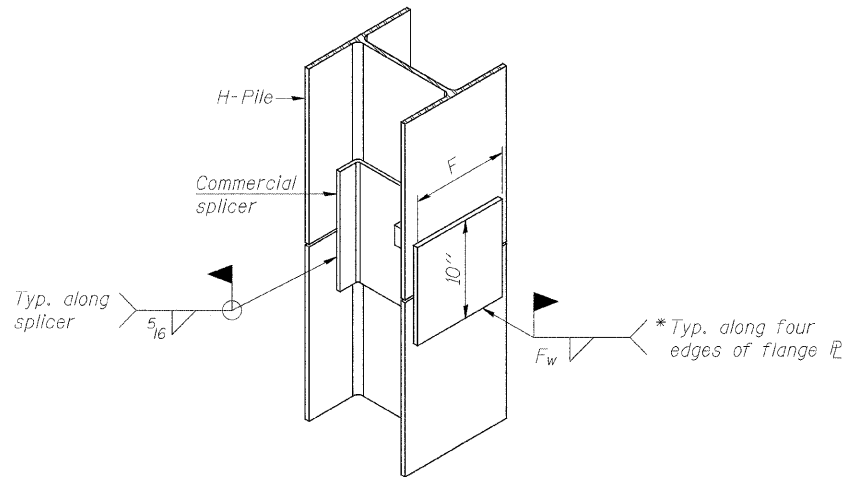


ELEVATION



DETAIL A

H-PILE SHOE ATTACHMENT



ISOMETRIC VIEW

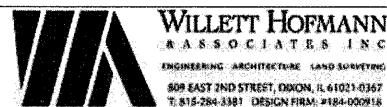
WELDED COMMERCIAL SPLICE ALTERNATE

- * Interrupt welds 1/4" from end of web and/or each flange.
- ** Remove portions of backup plates that extend outside the flanges.
- *** Weld size per pile shoe manufacturer (5/16" min.).

NOTE:

The steel H-piles shall be according to AASHTO M270 Grade 50.

FILE = J:\115608\31\enalia\Design\Struct\1156085\see\1156085.dgn



DESIGNED - B.K.C.	REVISED -
CHECKED - M.A.C.	REVISED -
DRAWN - F.D.L.	REVISED -
CHECKED - B.K.C.	REVISED -

LASALLE COUNTY
C.H. 13 OVER TOMAHAWK CREEK
STATION 20+00

HP PILE DETAILS
STRUCTURE NO. 050-3604

STRUCTURAL SHEET NO. 16 OF 18 SHEETS

F.A.S. RTE.	SECTION	COUNTY	TOTAL SHEETS	SHEET NO.
260	10-00651-00-BR	LASALLE	51	33
WHA* 1156D08		CONTRACT NO. 87466		
FED. ROAD DIST. NO. -		ILLINOIS FED. AID PROJECT BRS-0260105		