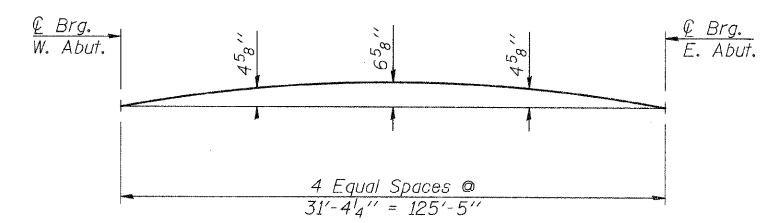
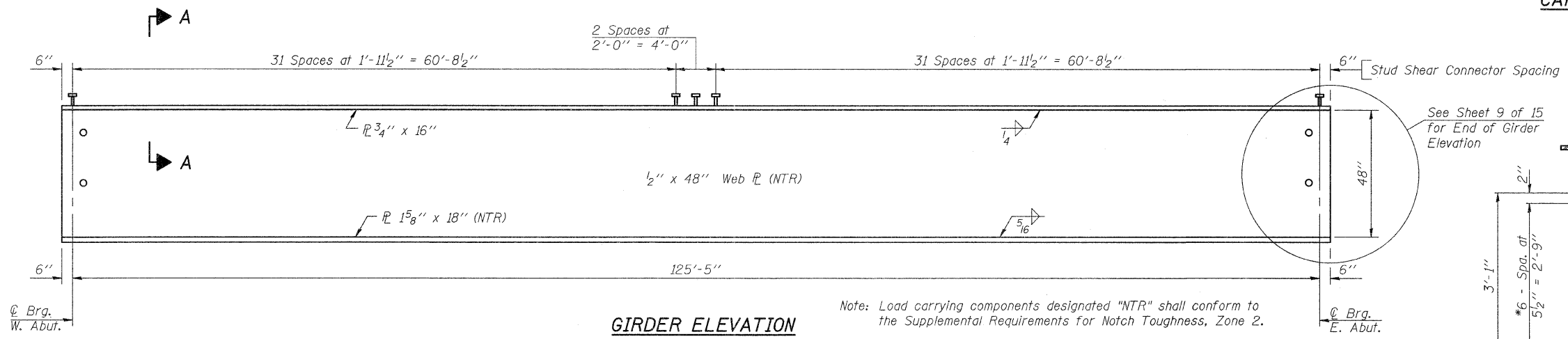


FRAMING PLAN



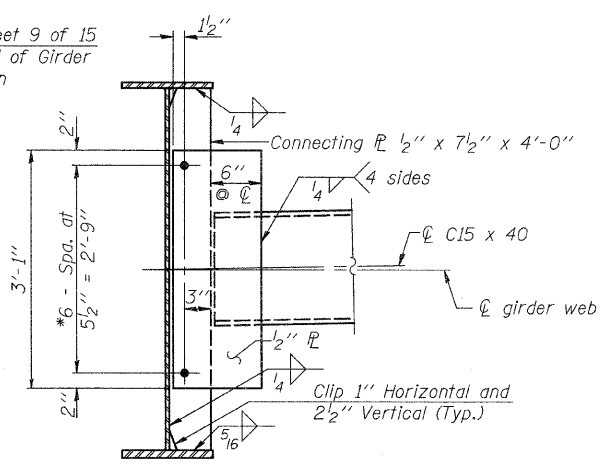
CAMBER DIAGRAM



GIRDER ELEVATION

"NTR" denotes plates to which notch toughness requirements are applicable.

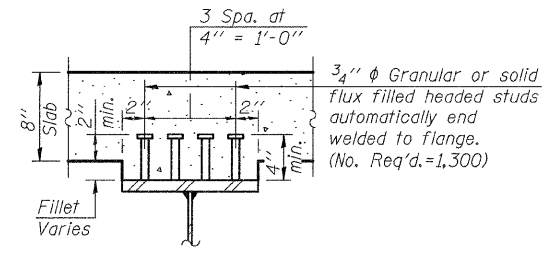
Note: Load carrying components designated "NTR" shall conform to the Supplemental Requirements for Notch Toughness, Zone 2.



TYPICAL INTERIOR DIAPHRAGM - D

(24 Required)

Note:
Two hardened washers required for each set of oversized holes.
Alternate channels C15x50 are permitted to facilitate material acquisition. Calculated weight of structural steel is based on C15x40 sections. The alternate, if utilized, shall be provided at no extra cost.
*3/4" φ HS bolts, 5/16" φ holes



SECTION A-A

TOP OF WEB ELEVATIONS

(For Fabrication Only)

	Girder 1	Girder 2	Girder 3	Girder 4	Girder 5
⊙ Brg. W. Abut.	106.24	106.37	106.50	106.37	106.24
⊙ Brg. E. Abut.	106.24	106.37	106.50	106.37	106.24

G-1

7-1-10

FILE NAME = 11-137_STEEL.DGN	USER NAME = S.A.P.	DESIGNED - A.R.K.	REVISED -
		CHECKED - R.E.A.	REVISED -
	PLDT SCALE = XXX	DRAWN - S.A.P.	REVISED -
	PLDT DATE = 01/04/12	CHECKED - A.R.K.	REVISED -

FEHR-GRAHAM & ASSOCIATES, LLC
ENGINEERING AND SCIENCE CONSULTANTS
FREEPORT, IL ROCKFORD, IL ROCHELLE, IL MONROE, WI SPRINGFIELD, IL

STRUCTURAL STEEL
S.N. 038-5157
SHEET NO. 8 OF 15 SHEETS

TWP. RTE.	SECTION	COUNTY	TOTAL SHEETS	SHEET NO.
351	08-22102-01-BR	IROQUOIS	25	11
CONTRACT NO. 87493			ILLINOIS PIGEON GROVE ROAD DISTRICT	