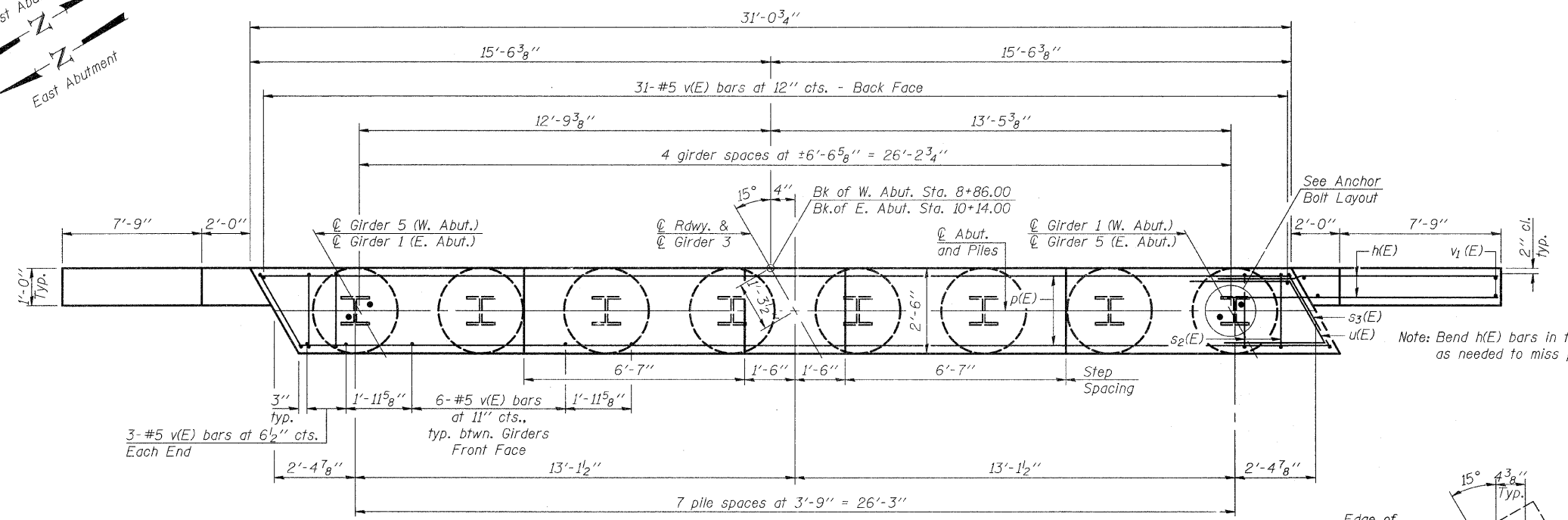
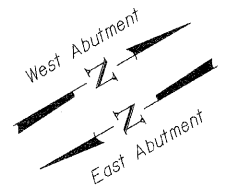
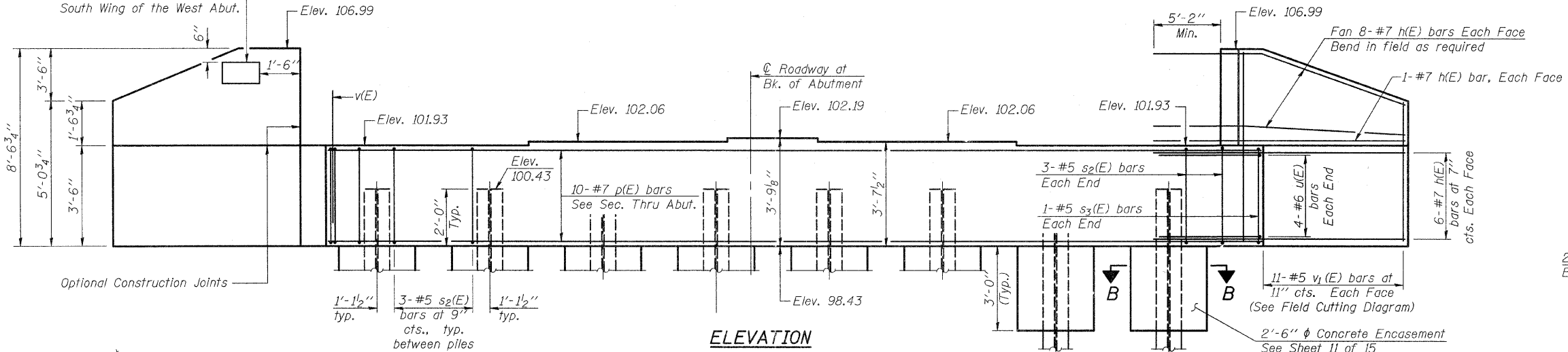


Notes:

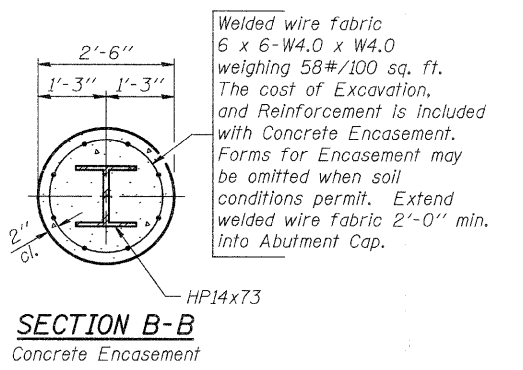
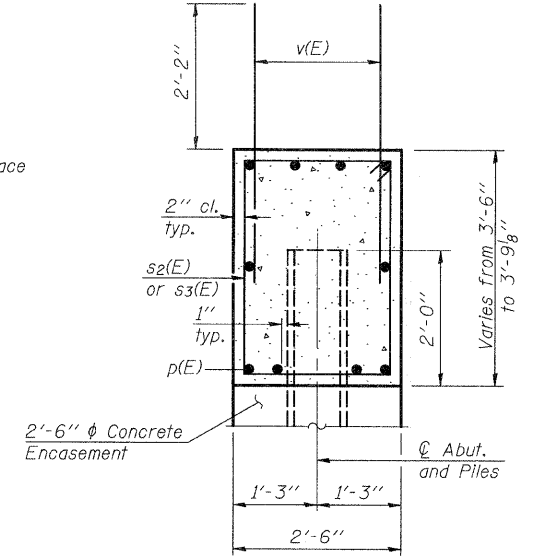
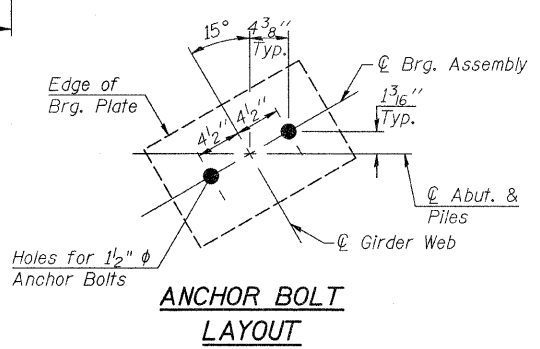
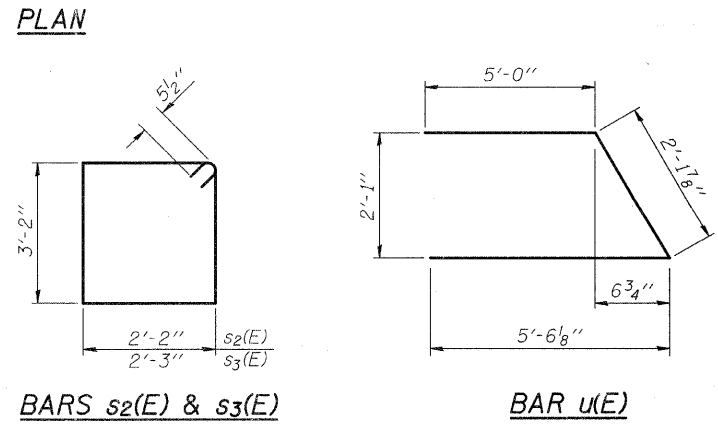
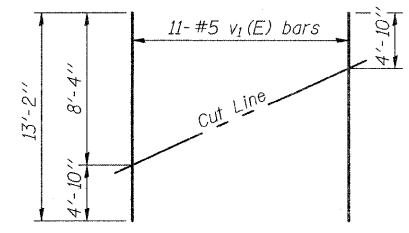
Pour steps monolithically with cap.

Name Plate shall be located on the outside face of the South Wing of the West Abut.



PILE DATA

Type: Steel HP14x73
 Nominal Required Bearing: 295 kips
 Factored Resistance Available: 162 kips
 Est. Length: 64 Ft.
 No. Production Piles: 15
 No. Test Piles: 1 (E. Abut.)



Welded wire fabric 6 x 6-W4.0 x W4.0 weighing 58#/100 sq. ft. The cost of Excavation, and Reinforcement is included with Concrete Encasement. Forms for Encasement may be omitted when soil conditions permit. Extend welded wire fabric 2'-0" min. into Abutment Cap.

TWO ABUTMENTS BILL OF MATERIAL

Bar	No.	Size	Length	Shape
h(E)	120	#7	15'-5"	—
p(E)	20	#7	30'-8'	—
s ₂ (E)	54	#5	11'-7"	□
s ₃ (E)	4	#5	11'-9"	□
u(E)	16	#6	12'-8"	—
v(E)	134	#5	4'-4"	—
v ₁ (E)	44	#5	13'-2"	—
Concrete Structures		Cu. Yd.	30.9	
Reinforcement Bars, Epoxy Coated		Pound	7,250	
Furnishing Steel Piles HP14x73		Foot	960	
Driving Piles		Foot	960	
Test Pile Steel HP14x73		Each	1	
Concrete Encasement		Cu. Yd.	8.7	

For details of piles and Concrete Encasement, see sheet 11 of 15.

AI-L 7-1-10

FILE NAME = 11-137-ABUTMENTS.DGN	USER NAME = S.A.P.	DESIGNED - A.R.K.	REVISED -
		CHECKED - R.E.A.	REVISED -
		DRAWN - S.A.P.	REVISED -
		CHECKED - A.R.K.	REVISED -
PLOT SCALE = XXX			
PLOT DATE = 01/04/12			

FEHR-GRAHAM & ASSOCIATES, LLC
 ENGINEERING AND SCIENCE CONSULTANTS
 FREEPORT, IL ROCKFORD, IL ROCHELLE, IL MONROE, WI SPRINGFIELD, IL

ABUTMENT DETAILS
 S.N. 038-5157
 SHEET NO. 10 OF 15 SHEETS

TWP. RTE.	SECTION	COUNTY	TOTAL SHEETS	SHEET NO.
351	08-22102-01-BR	IROQUOIS	25	13
				CONTRACT NO. 87493
				ILLINOIS PIGEON GROVE ROAD DISTRICT