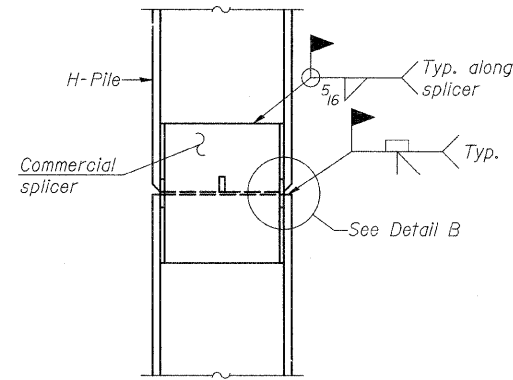
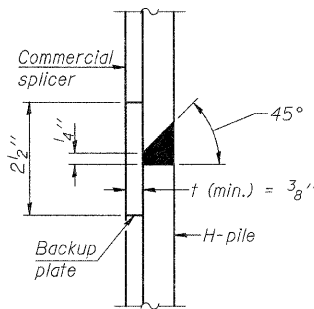


STEEL PILE TABLE

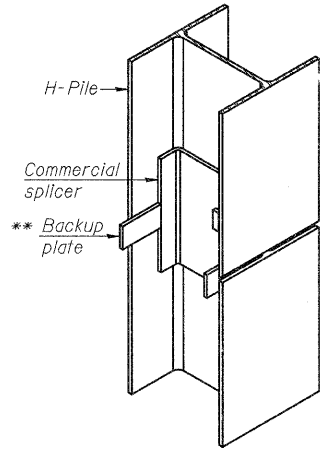
| Designation | Depth d | Flange width b _f | Web and Flange thickness t | Encasement diameter A |
|-------------|---------|-----------------------------|----------------------------|-----------------------|
| HP 14x117 | 14 1/4" | 14 7/8" | 1 3/16" | 30" |
| x102 | 14" | 14 3/4" | 1/16" | 30" |
| x89 | 13 7/8" | 14 3/4" | 5/8" | 30" |
| x73 | 13 5/8" | 14 5/8" | 1/2" | 30" |
| HP 12x84 | 12 1/4" | 12 1/4" | 1/16" | 24" |
| x74 | 12 1/8" | 12 1/4" | 5/8" | 24" |
| x63 | 12" | 12 1/8" | 1/2" | 24" |
| x53 | 11 3/4" | 12" | 7/16" | 24" |
| HP 10x57 | 10" | 10 1/4" | 9/16" | 24" |
| x42 | 9 3/4" | 10 1/8" | 7/16" | 24" |
| HP 8x36 | 8" | 8 1/8" | 7/16" | 18" |



ELEVATION

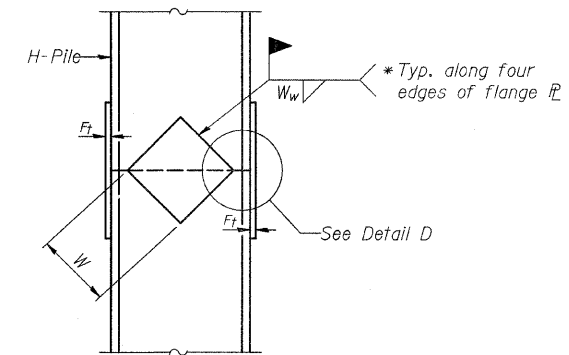


DETAIL "B"

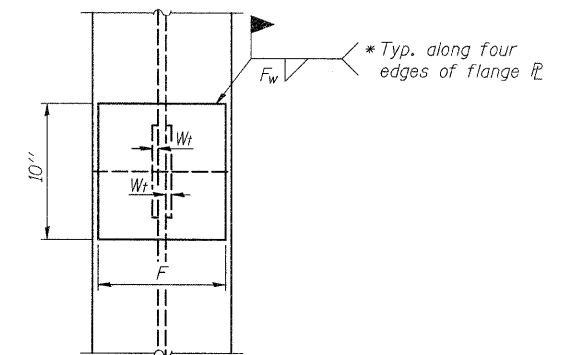


ISOMETRIC VIEW

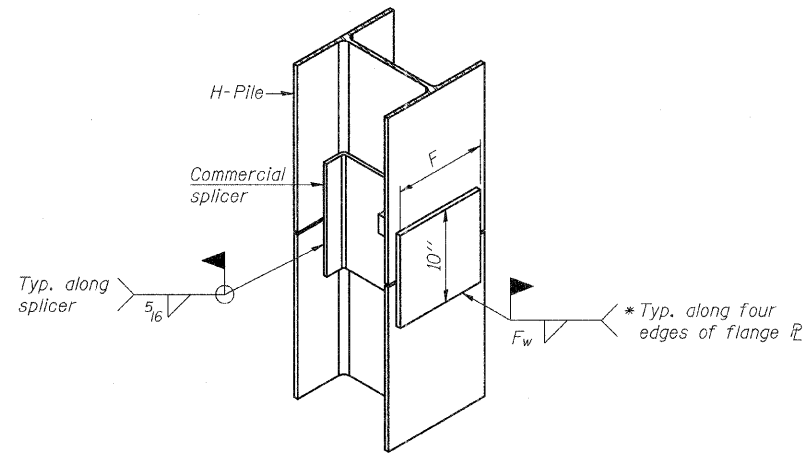
WELDED COMMERCIAL SPLICE



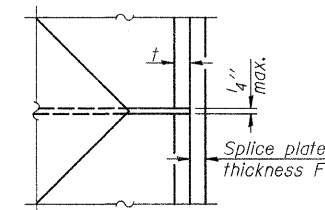
ELEVATION



END VIEW



ISOMETRIC VIEW



DETAIL D

WELDED PLATE FIELD SPLICE

| Designation | F | F _t | F _w | W | W _t | W _w |
|-------------|---------|----------------|----------------|--------|----------------|----------------|
| HP 14x117 | 12 1/2" | 1" | 7/8" | 7 3/4" | 5/8" | 1/2" |
| x102 | 12 1/2" | 7/8" | 3/4" | 7 3/4" | 5/8" | 1/2" |
| x89 | 12 1/2" | 3/4" | 1/16" | 7 3/4" | 5/8" | 1/2" |
| x73 | 12 1/2" | 5/8" | 9/16" | 7 3/4" | 5/8" | 1/2" |
| HP 12x84 | 10" | 7/8" | 1/16" | 6 1/2" | 5/8" | 1/2" |
| x74 | 10" | 7/8" | 1/16" | 6 1/2" | 5/8" | 1/2" |
| x63 | 10" | 5/8" | 1/2" | 6 1/2" | 1/2" | 3/8" |
| x53 | 10" | 5/8" | 1/2" | 6 1/2" | 1/2" | 3/8" |
| HP 10x57 | 8" | 3/4" | 9/16" | 5 1/4" | 1/2" | 3/8" |
| x42 | 8" | 5/8" | 9/16" | 5 1/4" | 1/2" | 3/8" |
| HP 8x36 | 7" | 5/8" | 7/16" | 4 1/4" | 1/2" | 3/8" |

WELDED COMMERCIAL SPLICE ALTERNATE

- * Interrupt welds 1/4" from end of web and/or each flange.
- ** Remove portions of backup plates that extend outside the flanges.

Note:
The steel H-piles shall be according to AASHTO M270 Grade 50.

F-HP

7-1-10

FILE NAME = 11-137-HP-PILES.DGN

USER NAME = S.A.P.

DESIGNED - A.R.K.

REVISED -

CHECKED - R.E.A.

REVISED -

PLOT SCALE = XXX

DRAWN - S.A.P.

REVISED -

PLOT DATE = 01/04/12

CHECKED - A.R.K.

REVISED -



FEHR-GRAHAM & ASSOCIATES, LLC
ENGINEERING AND SCIENCE CONSULTANTS
FREEPORT, IL ROCKFORD, IL ROCHELLE, IL MONROE, WI SPRINGFIELD, IL

HP PILE DETAILS
S.N. 038-5157

SHEET NO. 11 OF 15 SHEETS

| TWP. R1E. | SECTION | COUNTY | TOTAL SHEETS | SHEET NO. |
|-----------|----------------|----------|----------------------------|-----------|
| 351 | 08-22102-01-BR | IROQUOIS | 25 | 14 |
| ILLINOIS | | | CONTRACT NO. 87493 | |
| | | | PIGEON GROVE ROAD DISTRICT | |