

FABRIC BEARING PAD
(Interior)

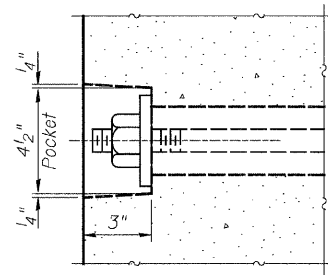
FABRIC BEARING PAD
(Exterior)

FIXED

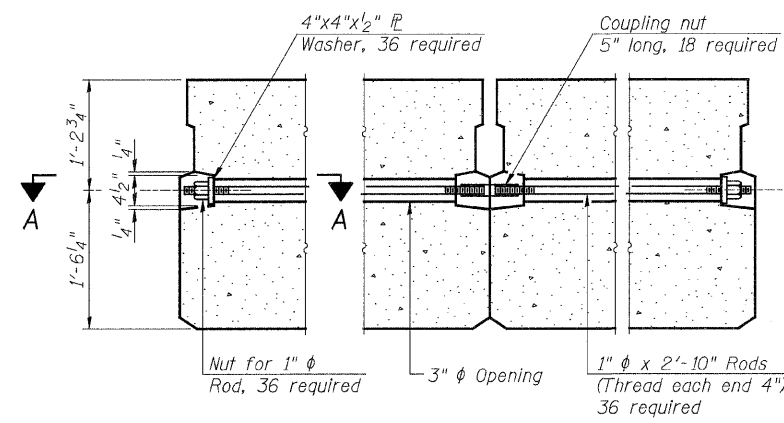
NOTES:

All bearing pads shall be 1" thick.

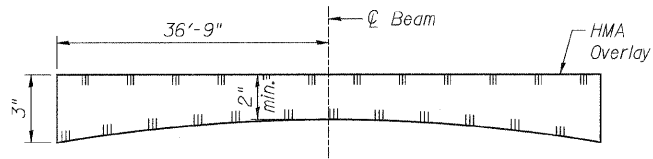
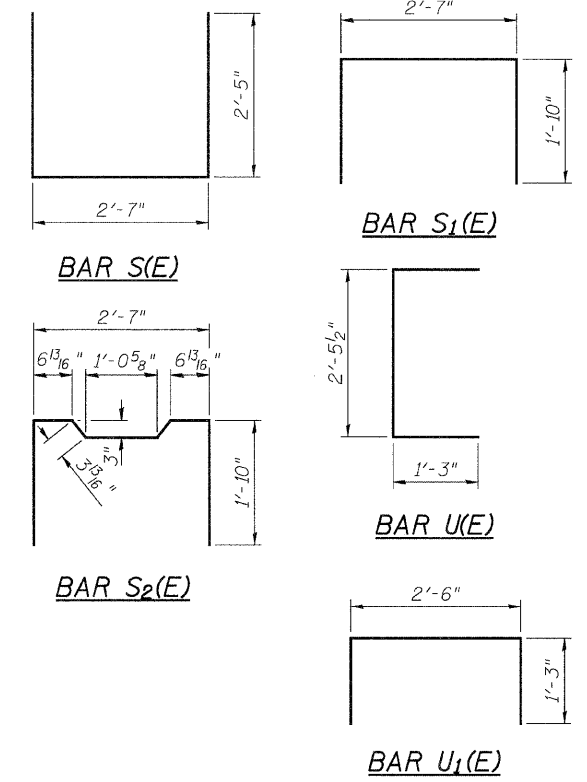
Exterior bearing pads shall be used at the crown break.



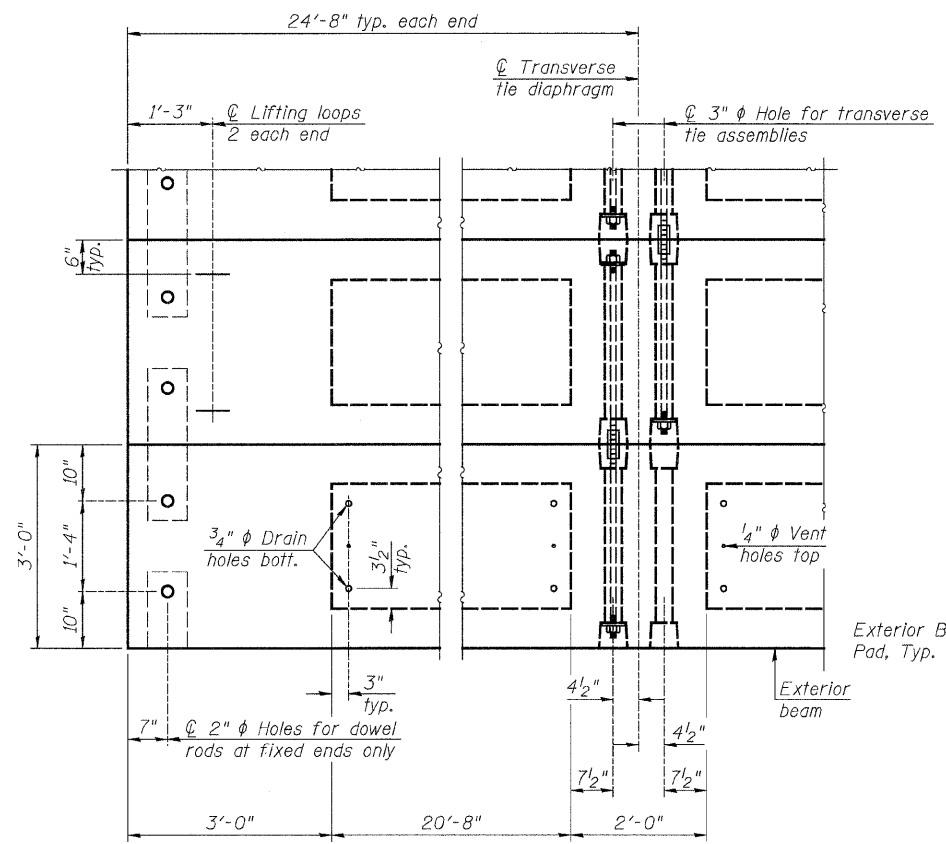
SECTION A-A



TYPICAL TRANSVERSE TIE ASSEMBLY



VARIABLE DEPTH OVERLAY DIAGRAM

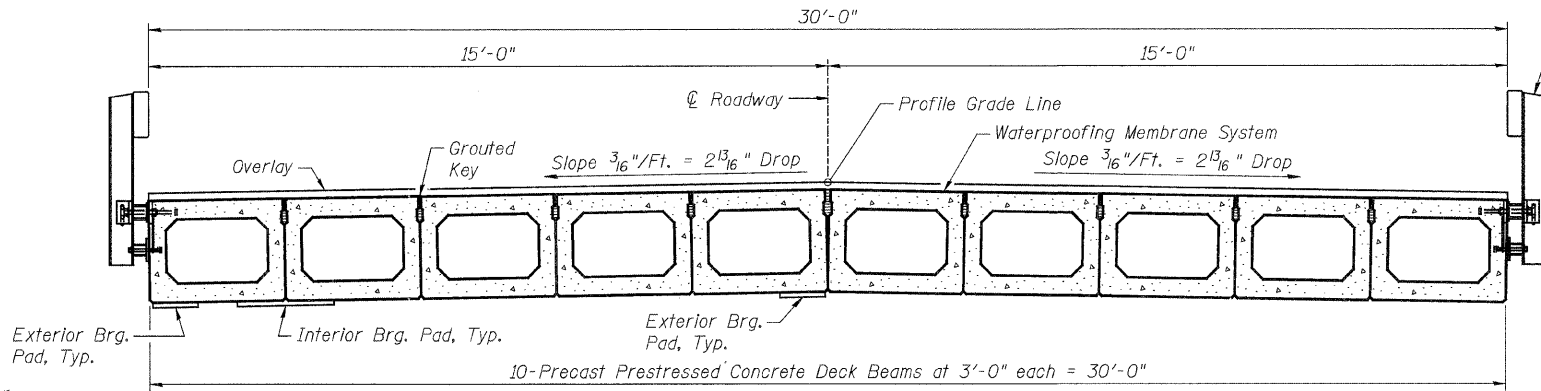


PLAN VIEW

NOTES:

Connect beams in pairs with the transverse tie configuration shown.

Unused transverse tie hole on exterior beam can be omitted.



CROSS SECTION

NOTES:

Prestressing steel shall be uncoated high strength, low relaxation 7-wire strand, Grade 270. The nominal diameter shall be 1/2" and the nominal cross-sectional area shall be 0.153 sq. in.

The 1" rods in the transverse tie assembly shall be tightened to a snug fit and the threads set. Pockets on exterior faces of bridge shall be filled with grout after transverse tie assembly is in place.

Reinforcement bars shall conform to ASTM A 706, Grade 60. (See Special Provisions).

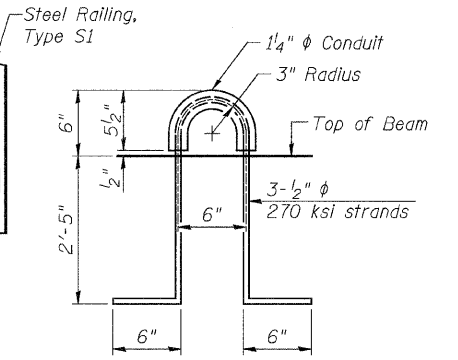
Two 1/8" fabric adjusting shims of the dimensions of the exterior bearing pad shall be provided for each bearing pad location.

A minimum 2 1/2" diameter lifting pin shall be used to engage the lifting loops during handling.

Corrosion Inhibitor, per Article 1020.05(b)(12) and 1021.06 of the Standard Specifications, shall be used in the concrete for precast prestressed concrete deck beams.

Compressive strength of prestressed concrete, f'c, shall be 6000 psi.

Compressive strength of prestressed concrete at release, f'ci, shall be 5000 psi.



LIFTING LOOP DETAIL

BILL OF MATERIAL

Item	Unit	Quantity
Hot-Mix Asphalt Surface Course, Mix "C", N50	Ton	37
Precast Prestressed Concrete Deck Beams (33" Depth)	Sq. Ft.	2,205
Waterproofing Membrane System	Sq. Yd.	249.5
Portland Cement Mortar Fairing Course	Foot	662

FILE = S:\AS\Project\1128006\Bridg Drawing\1128006_DeckBeamDetail.dwg

WILLETT HOFMANN
ASSOCIATES INC.
ENGINEERING ARCHITECTURE LAND SURVEYING
809 EAST 2ND STREET, CHICAGO, IL 60611-0367
TEL: 312-284-3381 DESIGN FIRM: #184-00918

DESIGNED - MICHAEL WAGNER	REVISED -
CHECKED - BRIAN CONVERSE	REVISED -
DRAWN - RON ALLEN	REVISED -
CHECKED - BRIAN CONVERSE	REVISED -

MERCER COUNTY
F.A.S. 217 (C.H. 6) OVER MAIDS RUN
STATION 20 + 05

33" x 36" PPC DECK BEAM DETAILS
STRUCTURE NO. 066-3031

STRUCTURAL SHEET NO. 4 OF 10 SHEETS

F.A.S. RTE. 217	SECTION 05-00096-00-BR	COUNTY MERCER	TOTAL SHEETS 21	SHEET NO. 11
WHA# 1128006		CONTRACT NO. 89432		
[ILLINOIS] FED. AID PROJECT BRS-021(102)				