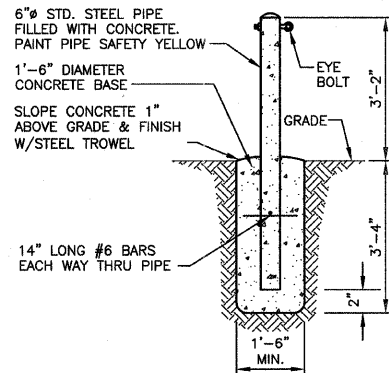
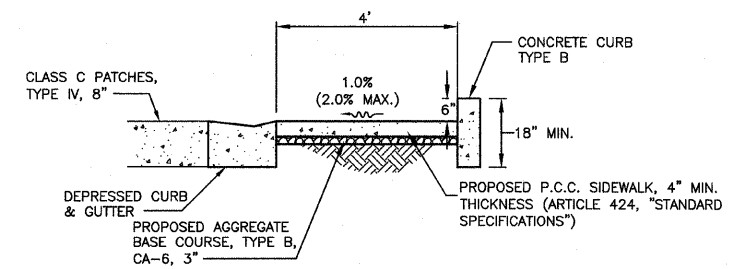


1 PRECAST CONCRETE PARKING BLOCK
SCALE: 1"=1'-0"



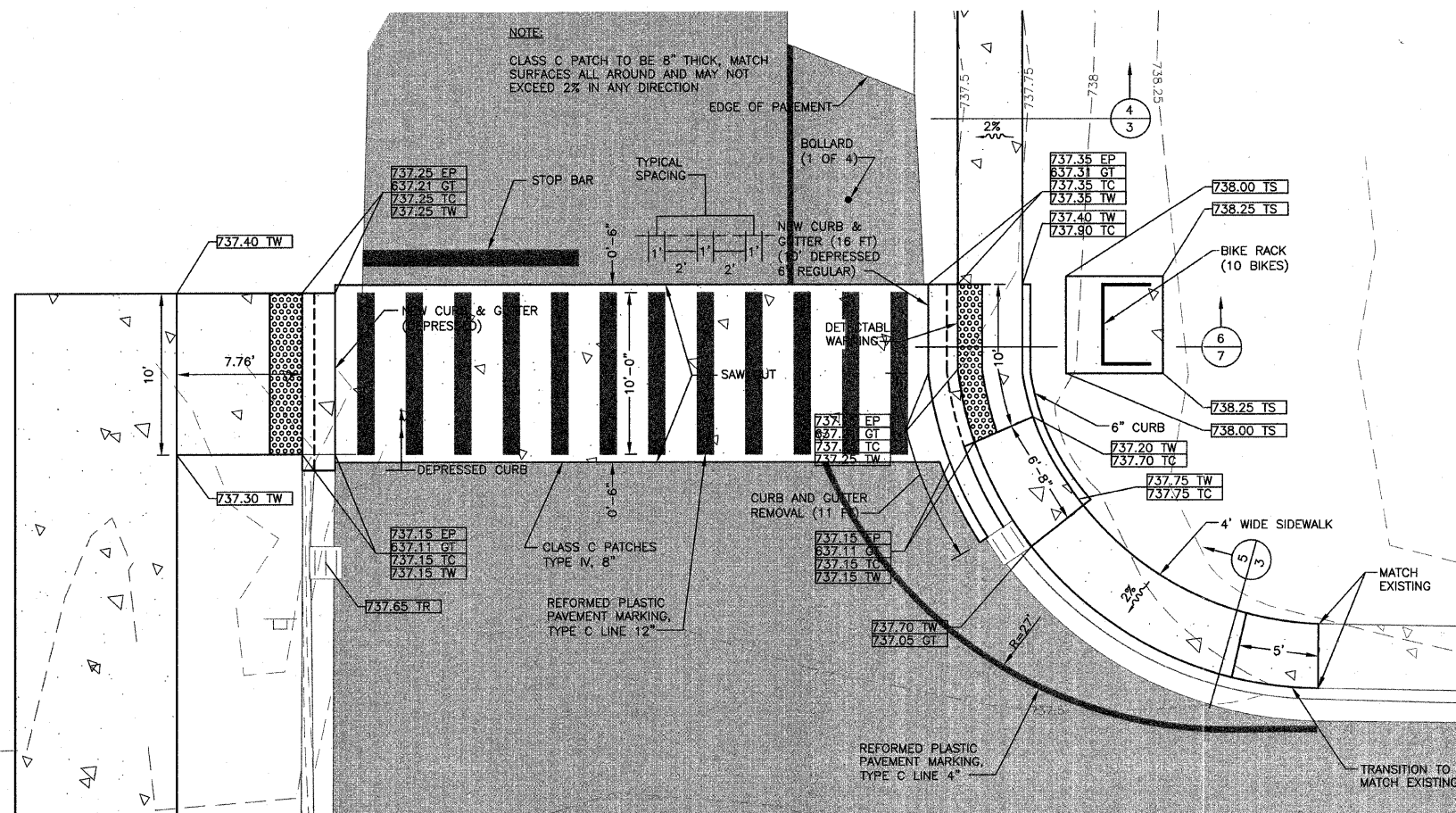
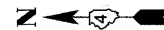
2 6" PIPE BOLLARD
SCALE: 1/2"=1'-0"



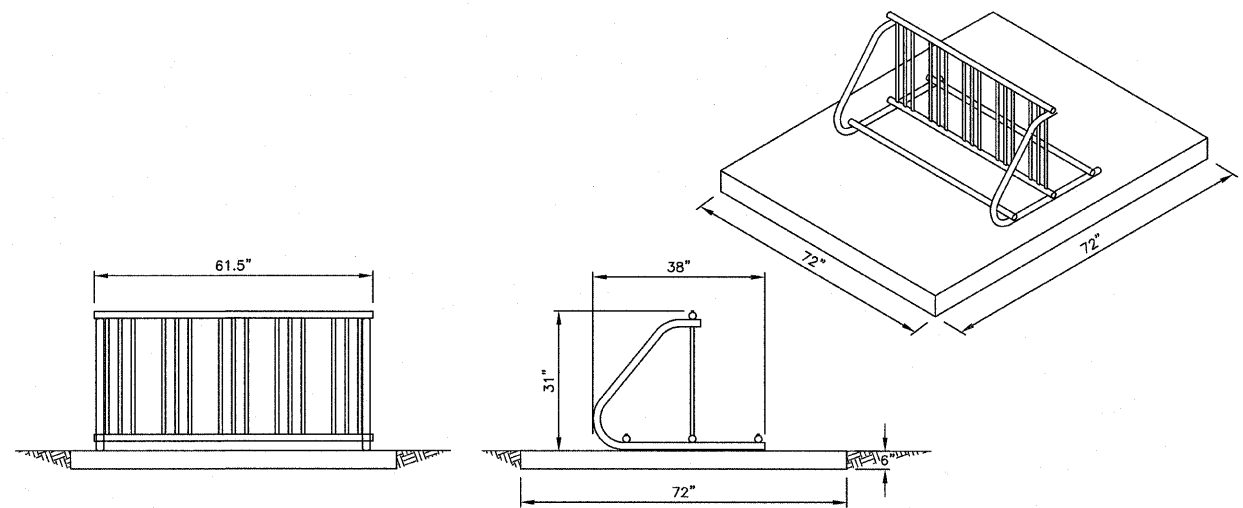
NOTE: SCORE SIDEWALK SURFACE AT 5' INTERVALS. PROVIDE LIGHT BROOM FINISH. PROVIDE TRANSVERSE EXPANSION JOINTS @ INTERVALS NOT TO EXCEED 100 FT.

6 SIDEWALK @ ADA RAMP
SCALE: 1/2"=1'-0"
SOUTH SIDE OF E. NORTH ST.

3 OMITTED
SCALE: 1/2"=1'-0"



4 SOUTH END DETAIL
SCALE: 1"=5'



5 BICYCLE RACK
SCALE: N.T.S.

FILE NAME = F:\2010\2010040\PLANSET\DETAILS

USER NAME = TLGIBB

DESIGNED - SMB

REVISED -

DRAWN - RLRITLG

REVISED -

PLOT SCALE = 20' / IN.

CHECKED - KJC

REVISED -

PLOT DATE = 11/09/2011

DATE -

REVISED -

STATE OF ILLINOIS
DEPARTMENT OF TRANSPORTATION

DETAILS

SHEET NO. OF SHEETS STA. TO STA.

F.A.P. RTE.	SECTION	COUNTY	TOTAL SHEETS	SHEET NO.
N/A	10-0001-00-BT	PEORIA	7	7

CONTRACT NO. 89590
ILLINOIS FED. AID PROJECT SRTS-4009(039)