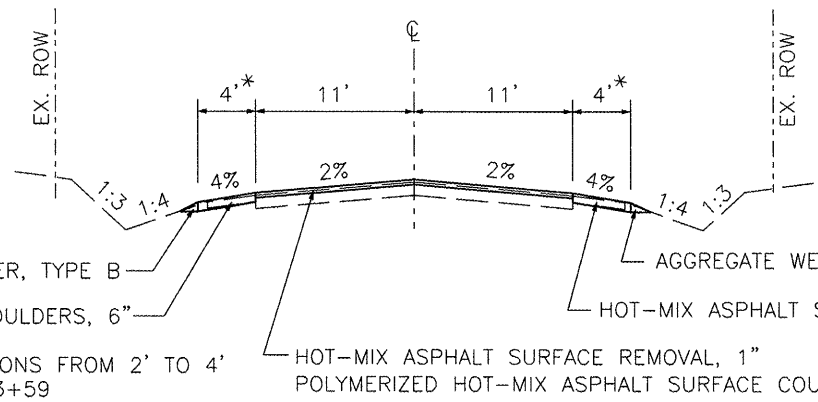


EXISTING TYPICAL SECTION - DEE-MACK ROAD

STA. 192+09 TO STA. 208+11



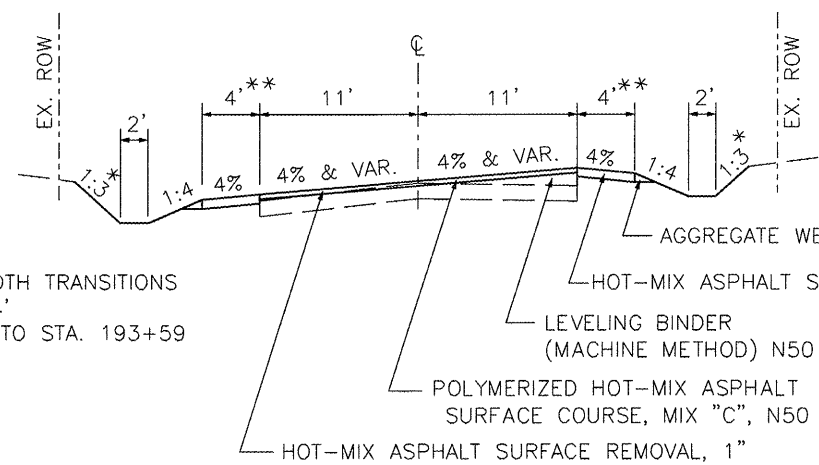
AGGREGATE WEDGE SHOULDER, TYPE B
HOT-MIX ASPHALT SHOULDERS, 6"
HOT-MIX ASPHALT SURFACE REMOVAL, 1"
POLYMERIZED HOT-MIX ASPHALT SURFACE COURSE, MIX "C" N50, 1 1/2"

* SHOULDER WIDTH TRANSITIONS FROM 2' TO 4'
STA. 192+09 TO STA. 193+59

SHOULDER WIDTH TRANSITIONS FROM 4' TO 2'
STA. 207+61 TO STA. 208+11

PROPOSED TYPICAL SECTION - DEE-MACK ROAD AT PROJECT TERMINI

MATCH EXISTING AT STA. 192+09 (SUPERELEVATION BEGINS)
MATCH EXISTING AT STA. 208+11 (SUPERELEVATION ENDS)

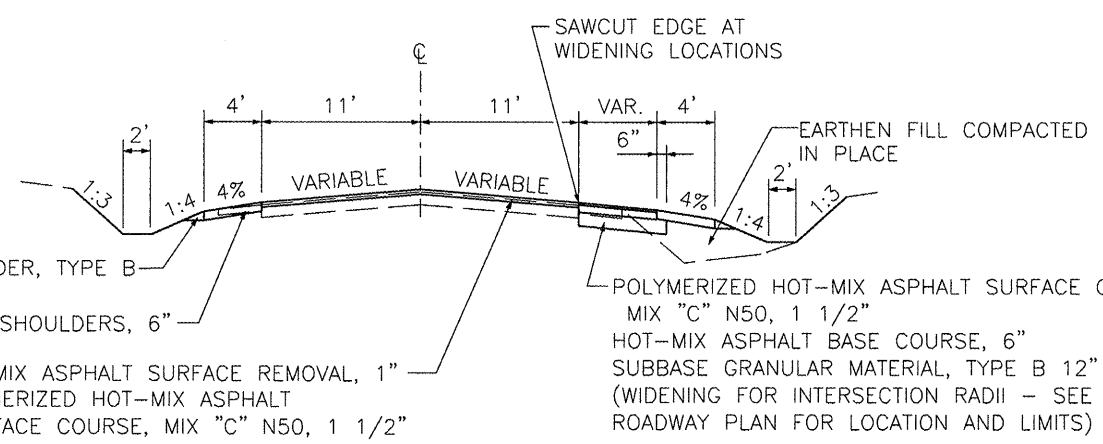


** SHOULDER WIDTH TRANSITIONS FROM 2' TO 4'
STA. 192+09 TO STA. 193+59

* BACKSLOPE VARIES FROM 1:3 TO 1:8 (SEE CROSS SECTIONS)

PROPOSED TYPICAL SECTION - DEE-MACK ROAD

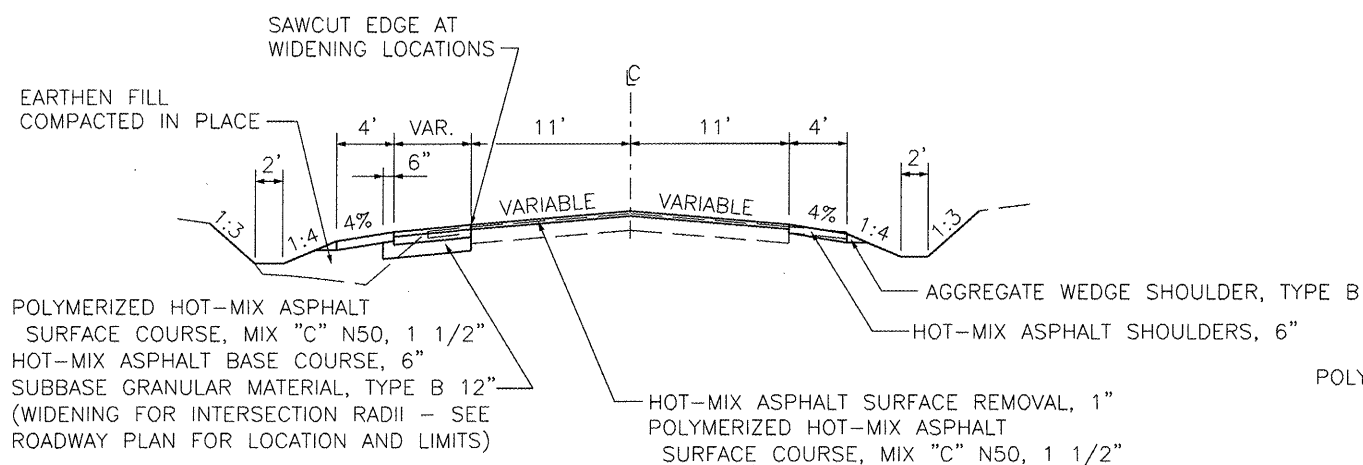
STA. 192+09 TO STA. 199+13.5



AGGREGATE WEDGE SHOULDER, TYPE B
HOT-MIX ASPHALT SHOULDERS, 6"
HOT-MIX ASPHALT SURFACE REMOVAL, 1"
POLYMERIZED HOT-MIX ASPHALT SURFACE COURSE, MIX "C" N50, 1 1/2"

PROPOSED TYPICAL SECTION - DEE-MACK ROAD

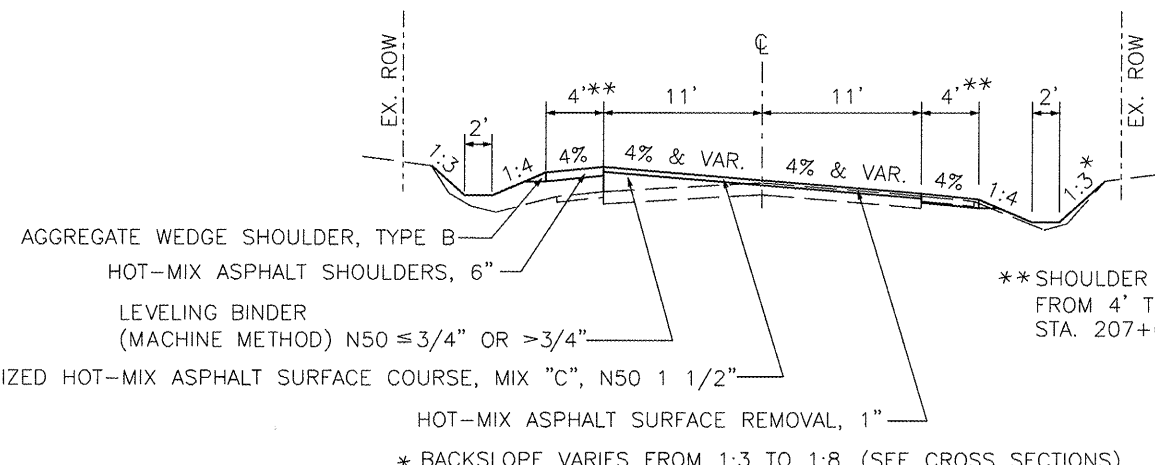
STA. 199+13.5 TO STA. 200+00



POLYMERIZED HOT-MIX ASPHALT SURFACE COURSE, MIX "C" N50, 1 1/2"
HOT-MIX ASPHALT BASE COURSE, 6"
SUBBASE GRANULAR MATERIAL, TYPE B 12"
(WIDENING FOR INTERSECTION RADII - SEE ROADWAY PLAN FOR LOCATION AND LIMITS)

PROPOSED TYPICAL SECTION - DEE-MACK ROAD

STA. 200+00 TO STA. 200+86.3



AGGREGATE WEDGE SHOULDER, TYPE B
HOT-MIX ASPHALT SHOULDERS, 6"
LEVELING BINDER (MACHINE METHOD) N50 ≤ 3/4" OR > 3/4"
POLYMERIZED HOT-MIX ASPHALT SURFACE COURSE, MIX "C", N50 1 1/2"
HOT-MIX ASPHALT SURFACE REMOVAL, 1"

* BACKSLOPE VARIES FROM 1:3 TO 1:8 (SEE CROSS SECTIONS)

PROPOSED TYPICAL SECTION - DEE-MACK ROAD

STA. 200+86.30 TO STA. 208+11

SEE TYPICAL SECTION SHEET 4 FOR PAVEMENT DESIGN DATA

FILE NAME =	USER NAME =
X:\PROJECTS\2007705906\DDN\DEEMACK-COOPER\PLANS-REFS\TYPICAL SECTIONS.DGN	
PLOT SCALE =	PLOT DATE = 2/24/2012

DESIGNED - REW	REVISED -
DRAWN - KRS, DLC	REVISED -
CHECKED - KMC	REVISED -
DATE -	REVISED -

**STATE OF ILLINOIS
DEPARTMENT OF TRANSPORTATION**

**TAZEWELL COUNTY - DEE-MACK ROAD AND COOPER ROAD
INTERSECTION IMPROVEMENTS
DEE-MACK - TYPICAL SECTIONS**

F.A.S. RTE.	SECTION	COUNTY	TOTAL SHEETS	SHEET NO.
470	10-00076-00 RS	TAZEWELL	38	5

SCALE: SHEET NO. OF SHEETS STA. TO STA.

ILLINOIS FED. AID PROJECT