

INDEX OF SHEETS

- 1 COVER SHEET
- 2 GENERAL NOTES AND JOB SPECIFIC NOTES
- 3 SUMMARY OF QUANTITIES
- 4-5 TYPICAL SECTIONS
- 6 SCHEDULE OF QUANTITIES
- 7 SUPERELEVATION DETAILS, LINE DIAGRAM, ALIGNMENT TIES, AND BENCHMARKS
- 8-9 ROADWAY PLAN
- 10 COOPER ROAD PROFILE
- 11-12 PAVEMENT MARKING PLAN AND EROSION CONTROL
- 13-15 BUTT JOINTS STD. 406101-D4
- 16 HOT MIX ASPHALT SURFACE REMOVAL (COLD MILLING) STD. 440001-D4
- 17-38 CROSS SECTIONS

LIST OF STANDARDS

000001-06	701006-03
280001-06	701011-02
442201-03	701201-04
542301-03	701306-03
542401-01	701311-03
666001-01	701326-04
	701901-02
	780001-03

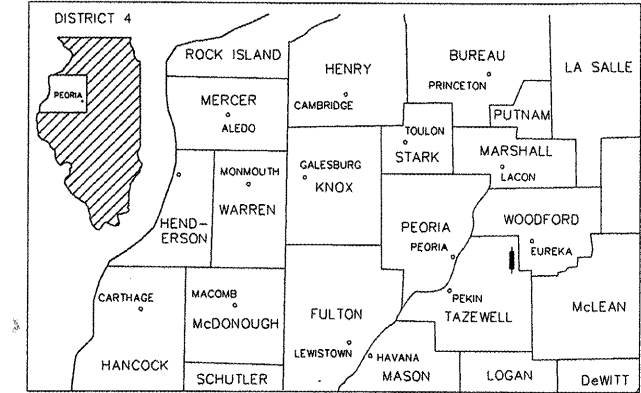
04-27-12 LETTING ITEM 183

**STATE OF ILLINOIS
DEPARTMENT OF TRANSPORTATION
DIVISION OF HIGHWAYS**

PROPOSED ROADWAY PLANS

**PROJECT: HRR-0470 (108)
DEE-MACK ROAD
ROUTE: FAS 470 (C.H. 6)
SECTION 10-00076-00 RS
C-94-016-11
TAZEWELL COUNTY**

F.A.S. RTE.	SECTION	COUNTY	TOTAL SHEETS	SHEET NO.
470	10-00076-00 RS	TAZEWELL	38	1
		ILLINOIS	CONTRACT NO. 89591	



LOCATION OF SECTION INDICATED THUS:

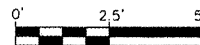
PROJECT DESCRIPTION:
Resurfacing and Superelevation Improvement,
Radius Improvement and HMA Shoulders

DESIGN DESIGNATION

- DEE-MACK ROAD
ADT 1575 (12) MAJOR COLLECTOR - RURAL (HMA FULL DEPTH, 20)
- COOPER ROAD
ADT 1025 (12) LOCAL ROAD

DRAWING SCALES

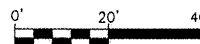
CROSS SECTION VERTICAL: 1" = 2.5'



CROSS SECTION HORIZONTAL: 1" = 5'



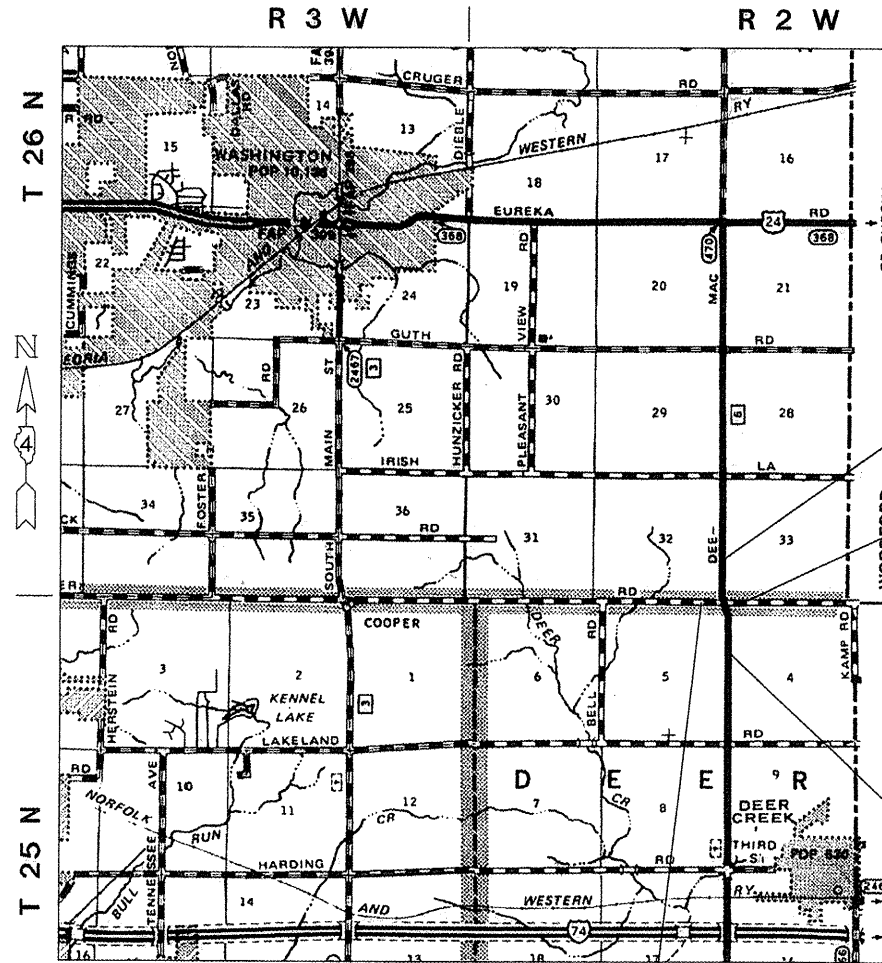
PLAN: 1" = 20'



J.U.L.I.E.
JOINT UTILITY LOCATION INFORMATION FOR EXCAVATION
1-800-892-0123
OR 811

NPDES PERMIT REQUIRED

CONTRACT NO. 89591
CATALOG NO. 034528-00



3rd P.M.
LOCATION MAP

PROJECT BEGINS
STA. 98+70.00
COOPER ROAD



PROJECT ENDS
STA. 208+11.00
DEE-MACK ROAD

PROJECT ENDS
STA. 101+30.00
COOPER ROAD

PROJECT BEGINS
STA. 192+09.00
DEE-MACK ROAD

Kenneth Couler
KENNETH M. COULTER
DATE: Feb 23, 2012
ILLINOIS REGISTERED PROFESSIONAL ENGINEER
No. 062-038839
EXPIRATION DATE 11/30/13



PRINTED BY THE AUTHORITY
OF THE STATE OF ILLINOIS

APPROVED *John J. Anderson*, 2012
COUNTY ENGINEER

PASSED *[Signature]*, 2012
DISTRICT ENGINEER OF
LOCAL ROADS & STREETS

Releasing For
Bid Based on
Limited Review *[Signature]*, 2012
DEPUTY DIRECTOR OF HIGHWAYS,
REGION THREE ENGINEER
STATE OF ILLINOIS
DEPARTMENT OF TRANSPORTATION

GROSS LENGTH OF IMPROVEMENT DEE-MACK ROAD = 1,602.00 FEET = 0.303 MILES
GROSS LENGTH OF IMPROVEMENT COOPER ROAD = 260.00 FEET = 0.049 MILES
NET LENGTH OF IMPROVEMENT = 1,862.00 FEET = 0.353 MILES

GENERAL NOTES

UTILITIES - LOCATIONS/INFORMATION ON PLANS

The locations of existing water mains, gas mains, sewers, electric power lines, telephone lines and other utilities as shown on the plans are based on careful field investigation and the best information available, but they are not guaranteed. Unless elevations are shown --- all utility locations shown on the cross sections are based on the approximate depth supplied by the utility company. It shall be the Contractor's responsibility to ascertain their exact location from the utility companies and by field inspection.

PROPERTY OWNER ACCESS REQUIREMENT

Access must be maintained to all existing properties during construction per Article 107.09 unless arrangements are made in writing by the Contractor with the property owners with a copy to the Engineer for short-term closures.

WINTER SHUTDOWN RESTRICTIONS ON COLD MILLED PROJECTS

Prior to winter shutdown the following steps shall be taken:

- All cold milled surfaces shall be overlaid.
- All lanes shall be reopened to traffic.
- Manholes, where applicable, shall be adjusted to the elevation of the binder to ease in plowing snow, and re-adjusted to finished grade in the Spring. The initial manhole adjustment will be paid for at the contract unit price and any re-adjustment, as directed by the Engineer, will be paid for in accordance with Article 109.04.
- Temporary or permanent pavement marking shall be placed as applicable.

ORDERING LENGTH CONFIRMATION - DRAINAGE ITEMS

The Contractor shall consult with the Engineer in regard to the exact length of the box/pipe culverts, storm sewers, and/or pipe drains required prior to ordering these items.

HOT-MIX ASPHALT MIXTURE REQUIREMENTS

Location(s):			
Mixture Uses(s):	POLYMER SURFACE	LEVELING BINDER ≤3/4"	LEVELING BINDER >3/4"
RAP % (Max)**:	15	10	25
AC/PG:	SBR, SBS, PG 64-22	SBS OR SBR, PG 70-22	PG 64-22
Design Air Voids:	4.0% @ N = 50	4.0% @ N = 50	4.0% @ N = 50
Mixture Composition: (Gradation Mixture)	IL 9.5	IL 4.75	IL 9.5
Friction Aggregate	MIX "C"	N/A	N/A
Mixture Weight:	112#/SQ YD/IN	112#/SQ YD/IN	112#/SQ YD/IN

POLYMERIZED BITUMINOUS MATERIALS (PRIME COAT) RATES

SURFACE TYPE	ESTIMATED TRUCK APPLICATION RATE	RESIDUAL RATE
Milled (HMA or PCC)	0.08 gal/sy (0.00034 ton/sy)	0.04 gal/sy
Existing Pavement	0.05 gal/sy (0.00022 ton/sy)	0.025 gal/sy
Fog Coat (between lifts)	0.05 gal/sy (0.00022 ton/sy)	0.025 gal/sy

ENVIRONMENTAL REVIEWS

Prior to the use of any proposed borrow areas, use areas (temporary access roads, detours, run-arounds, etc.) and/or waste areas, the Contractor shall file the required environmental resource request surveys according to Section 107.22 of the Standard Specifications. These surveys are required in order for the Department to conduct cultural and biological resource surveys for the proposed site.

Prior to any waste materials being removed from the construction site the required environmental resource surveys will need to be obtained and filed by the Contractor. Excess waste products removed from the construction site shall be disposed of as required in Section 202.03 of the Standard Specifications.

Any protruding metal bars shall be removed prior to the disposal of broken concrete at approved disposal sites.

The required environmental resource documentation shall include the following:

- BDE Form 2289 (Environmental Survey Request)
- A location map showing the size limits and location of the use area
- Signed property owner agreement form - D4 P10100
- Color photographs depicting the use area
- Borrow Area Entry Agreement form - D4 P10101

Please note that a minimum of two weeks shall be allowed for the District to obtain the required environmental clearances.

GENERAL NOTES (CONTINUED)

PAVEMENT STATION NUMBERS & PLACEMENT

The Contractor shall provide labor and materials required to imprint pavement station numbers in the finished surface of the pavement and/or overlay. The numbers shall be approximately 3/4 inch wide, 5 inches high and 3/8 inch deep.

The pavement station numbers shall be installed as specified herein:

Interval - 200 feet (English stationing)

Bottom of Numbers - 6 inches from the inside edge of the pavement marking

Location:

- 2, 3, & 5 Lane Pavements - right edge of pavement in direction of increasing stations
- Multi-Lane Divided Roadways - outside edge of pavement in both directions
- Ramps - along baseline edge of pavement

Position - stations shall be placed so they can be read from the adjacent shoulder

Format - Pavement stations shall use this format "XXX+00", where X represents the pavement station

This work will not be paid for separately, but will be considered included in the cost of the associated pavement and/or overlay pay items.

COMMITMENTS

NONE

JOB SPECIFIC NOTES

SIGNS

Signs removed due to construction work shall be safely stored and reinstalled per Art. 107.25. For Chevron Signs, see MUTCD 2C.09.

Two temporary stop signs will be required at Cooper Road.

TOP SOIL

Additional Topsoil, if required, may be obtained from the back slopes, Sta. 196+00 to Sta. 198+00 and Sta. 202+00 to STA. 204+00

FILE NAME =
X:\PROJECTS\
200705506\001\DEEMACK-COOPER\
PLANS-REFS\INDEX-GEN NOTES-ETC.DGN

USER NAME =
DESIGNED - REW
DRAWN - KRS, DLC
CHECKED - KMC
PLOT SCALE =
PLOT DATE = 2/24/2012

DESIGNED - REW
DRAWN - KRS, DLC
CHECKED - KMC
DATE -

REVISED -
REVISED -
REVISED -
REVISED -

**STATE OF ILLINOIS
DEPARTMENT OF TRANSPORTATION**

**TAZEWELL COUNTY - DEE-MACK ROAD AND COOPER ROAD
INTERSECTION IMPROVEMENTS
GENERAL NOTES AND JOB SPECIFIC NOTES**

SCALE: SHEET NO. OF SHEETS STA. TO STA.

F.A.S. RTE.	SECTION	COUNTY	TOTAL SHEETS	SHEET NO.
470	10-00076-00 RS	TAZEWELL	38	2

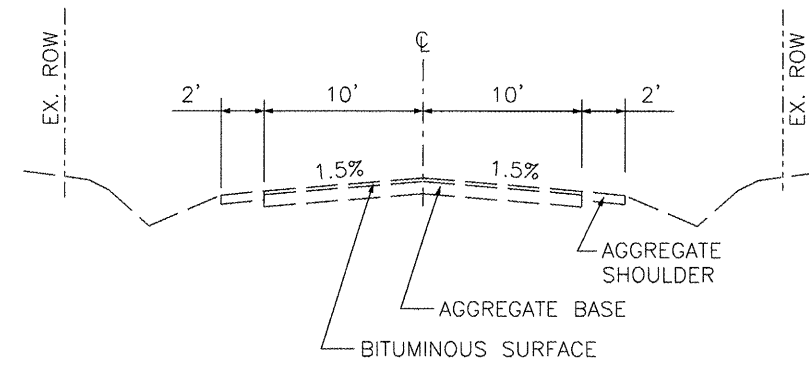
ILLINOIS FED. AID PROJECT

SUMMARY OF QUANTITIES				TAZEWELL COUNTY 90% FEDERAL / 10% COUNTY CONSTRUCTION TYPE CODE		
CODE NO.	PAY ITEM	UNIT	TOTAL QUANTITY	HRRRP		
				0021		
20400800	FURNISHED EXCAVATION	CU YD	362	362		
21101505	TOPSOIL EXCAVATION AND PLACEMENT	CU YD	485	485		
20800150	TRENCH BACKFILL	CU YD	87	87		
25000210	SEEDING, CLASS 2A	ACRE	2	2		
25000400	NITROGEN FERTILIZER NUTRIENT	POUND	180	180		
25000500	PHOSPHORUS FERTILIZER NUTRIENT	POUND	180	180		
25000600	POTASSIUM FERTILIZER NUTRIENT	POUND	180	180		
25100115	MULCH, METHOD 2	ACRE	2	2		
28000250	TEMPORARY EROSION CONTROL SEEDING	POUND	200	200		
28000305	TEMPORARY DITCH CHECKS	FOOT	180	180		
28000400	PERIMETER EROSION BARRIER	FOOT	420	420		
28000500	INLET AND PIPE PROTECTION	EACH	3	3		
31101810	SUB-BASE GRANULAR MATERIAL, TYPE B 12"	SQ YD	232	232		
36501308	HOT-MIX ASPHALT BASE COURSE, 6"	SQ YD	216	216		
40200800	AGGREGATE SURFACE COURSE, TYPE B	TON	32	32		
40600215	POLYMERIZED BITUMINOUS MATERIALS (PRIME COAT)	TON	3.9	3.9		
40600625	LEVELING BINDER (MACHINE METHOD) N50	TON	385	385		
40600982	HOT-MIX ASPHALT SURFACE REMOVAL - BUTT JOINT	SQ YD	217	217		
40600990	TEMPORARY RAMP	SQ YD	36	36		
40603510	POLYMERIZED HOT-MIX ASPHALT SURFACE COURSE, MIX "C", N50	TON	412	412		
44000153	HOT-MIX ASPHALT SURFACE REMOVAL, 1"	SQ YD	4,316	4,316		
44201765	CLASS D PATCHES TYPE II, 10 INCH	SQ YD	47	47		
48101500	AGGREGATE SHOULDERS, TYPE B 6"	SQ YD	27	27		
48102100	AGGREGATE WEDGE SHOULDER, TYPE B	TON	161	161		
48203021	HOT-MIX ASPHALT SHOULDERS, 6"	SQ YD	1,370	1,370		
48203029	HOT-MIX ASPHALT SHOULDERS, 8"	SQ YD	44	44		
50104400	CONCRETE HEADWALL REMOVAL	EACH	2	2		
50105220	PIPE CULVERT REMOVAL	FOOT	160	160		
542A5479	PIPE CULVERTS, CLASS A, TYPE 1 EQUIVALENT ROUND-SIZE 24"	FOOT	108	108		
542D0223	PIPE CULVERTS, CLASS D, TYPE 1 18"	FOOT	46	46		
54214509	PRECAST REINFORCED CONCRETE FLARED END SECTIONS, EQUIVALENT ROUND-SIZE 24"	EACH	4	4		
54215553	METAL END SECTIONS 18"	EACH	2	2		
66800105	FURNISHING AND ERECTING RIGHT OF WAY MARKERS	EACH	4	4		
67100100	MOBILIZATION	L SUM	1	1		
* 78001110	PAINT PAVEMENT MARKING - LINE 4"	FOOT	5,986	5,986		
* 78001150	PAINT PAVEMENT MARKING - LINE 12"	FOOT	20	20		
X7010216	TRAFFIC CONTROL AND PROTECTION, (SPECIAL)	L SUM	1	1		
* XX007030	REMOVE AND RELOCATE EXSTING SIGN LIGHT	EACH	2	2		
Z0013798	CONSTRUCTION LAYOUT	L SUM	1	1		

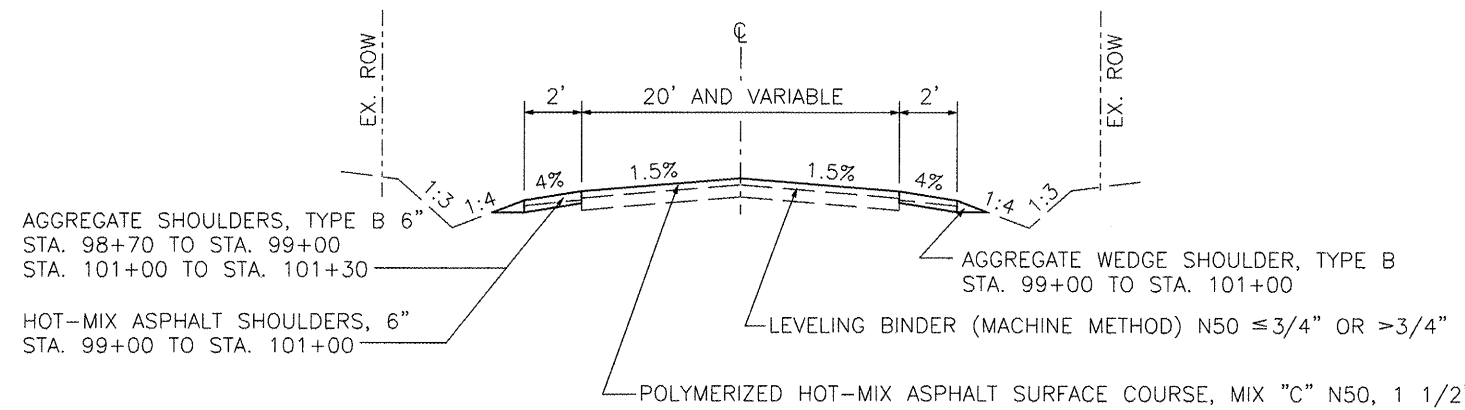
* SPECIALTY ITEMS

FILE NAME = X:\PROJECTS\ 200709506\06\DEEMACK-COOPER\ PLANS-REFS\SUMMARY OF QTYS.DGN	USER NAME =	DESIGNED - REW DRAWN - KRS, DLC	REVISED - REVISED -	STATE OF ILLINOIS DEPARTMENT OF TRANSPORTATION	TAZEWELL COUNTY - DEE-MACK ROAD AND COOPER ROAD INTERSECTION IMPROVEMENTS SUMMARY OF QUANTITIES			F.A.S. RTE.	SECTION	COUNTY	TOTAL SHEETS	SHEET NO.			
	PLOT SCALE =	CHECKED - KMC	REVISED -		SCALE:	SHEET NO.	OF	SHEETS	STA.	TO STA.	470	10-00076-00 RS	TAZEWELL	38	3
	PLOT DATE = 2/24/2012	DATE -	REVISED -												

ILLINOIS FED. AID PROJECT



EXISTING TYPICAL SECTION - COOPER ROAD



PROPOSED TYPICAL SECTION - COOPER ROAD

STA. 98+70 TO STA. 99+88
 STA. 100+12 TO STA. 101+30

STRUCTURAL DESIGN TRAFFIC:	Year <u>2022</u>
PV = <u>1623</u>	SU = <u>88</u> MU = <u>53</u>
ROAD/STREET CLASSIFICATION:	Class <u>III</u>
PERCENT OF STRUCTURAL DESIGN TRAFFIC IN DESIGN LANE:	
P = <u>100</u>	S = <u>100</u> M = <u>100</u>
TRAFFIC FACTOR:	Actual TF = <u>0.30</u>
PG GRADE:	Binder = <u>PG 64-22</u> Surface = <u>PG 64-22</u>
SUBGRADE SUPPORT RATING:	SSR = <u>Poor</u>

FILE NAME =
 X:\PROJECTS\
 2007705506\DDN\DEEMACK-COOPER\
 PLANS-REFS\TYPICAL SECTIONS.DGN

USER NAME =	DESIGNED - REW	REVISED -
	DRAWN - KRS, DLC	REVISED -
PLOT SCALE =	CHECKED - KMC	REVISED -
PLOT DATE = 2/24/2012	DATE -	REVISED -

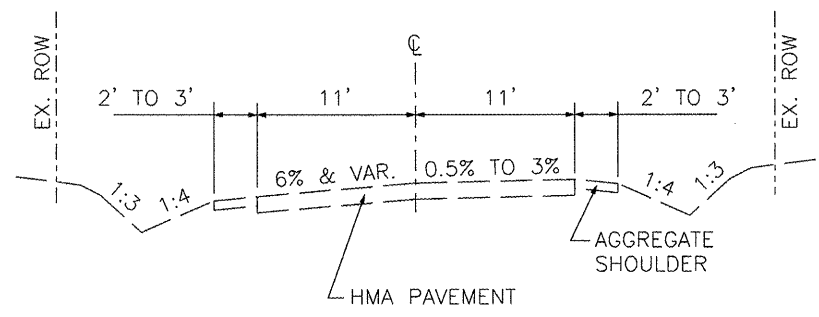
STATE OF ILLINOIS
DEPARTMENT OF TRANSPORTATION

TAZEWELL COUNTY - DEE-MACK ROAD AND COOPER ROAD
INTERSECTION IMPROVEMENTS
COOPER ROAD - TYPICAL SECTIONS

SCALE: SHEET NO. OF SHEETS STA. TO STA.

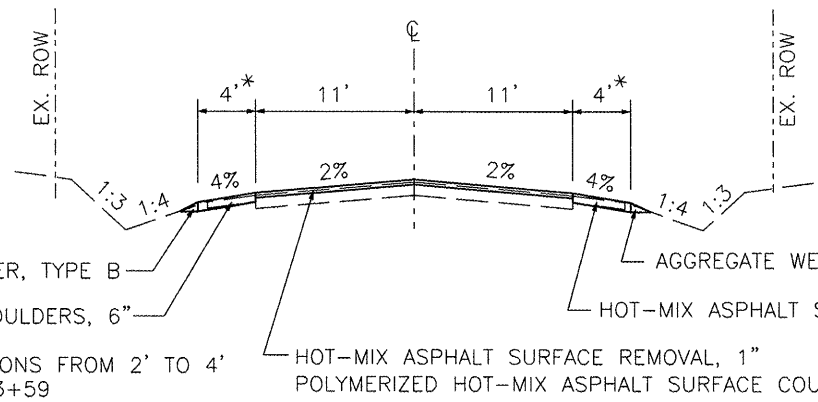
F.A.S. RTE.	SECTION	COUNTY	TOTAL SHEETS	SHEET NO.
470	10-00076-00 RS	TAZEWELL	38	4

ILLINOIS FED. AID PROJECT



EXISTING TYPICAL SECTION - DEE-MACK ROAD

STA. 192+09 TO STA. 208+11



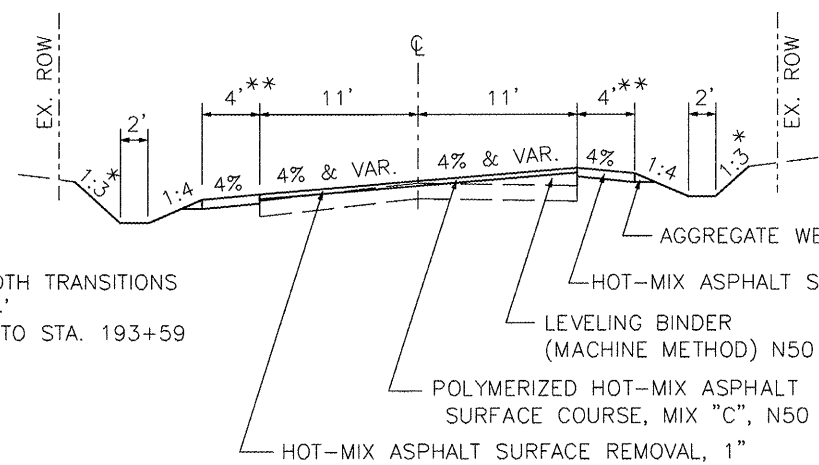
AGGREGATE WEDGE SHOULDER, TYPE B
HOT-MIX ASPHALT SHOULDERS, 6"
HOT-MIX ASPHALT SURFACE REMOVAL, 1"
POLYMERIZED HOT-MIX ASPHALT SURFACE COURSE, MIX "C" N50, 1 1/2"

* SHOULDER WIDTH TRANSITIONS FROM 2' TO 4'
STA. 192+09 TO STA. 193+59

SHOULDER WIDTH TRANSITIONS FROM 4' TO 2'
STA. 207+61 TO STA. 208+11

PROPOSED TYPICAL SECTION - DEE-MACK ROAD AT PROJECT TERMINI

MATCH EXISTING AT STA. 192+09 (SUPERELEVATION BEGINS)
MATCH EXISTING AT STA. 208+11 (SUPERELEVATION ENDS)

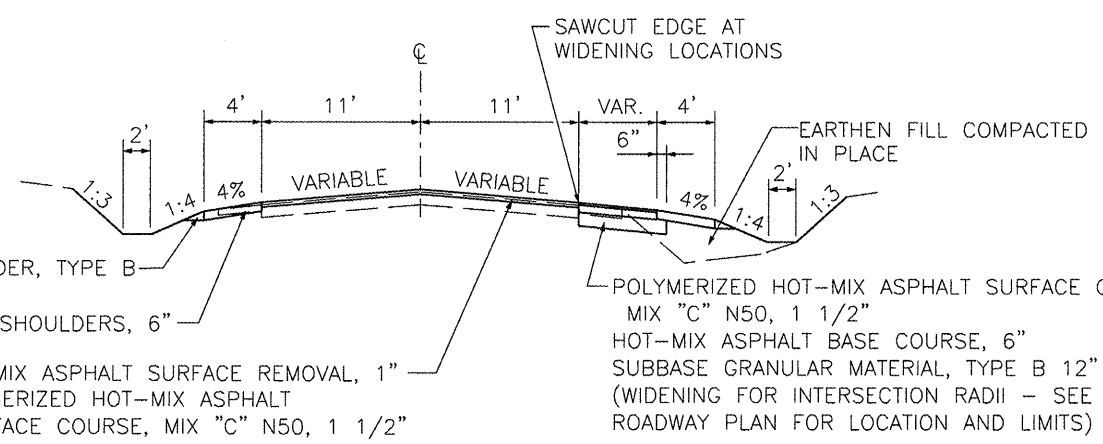


** SHOULDER WIDTH TRANSITIONS FROM 2' TO 4'
STA. 192+09 TO STA. 193+59

* BACKSLOPE VARIES FROM 1:3 TO 1:8 (SEE CROSS SECTIONS)

PROPOSED TYPICAL SECTION - DEE-MACK ROAD

STA. 192+09 TO STA. 199+13.5

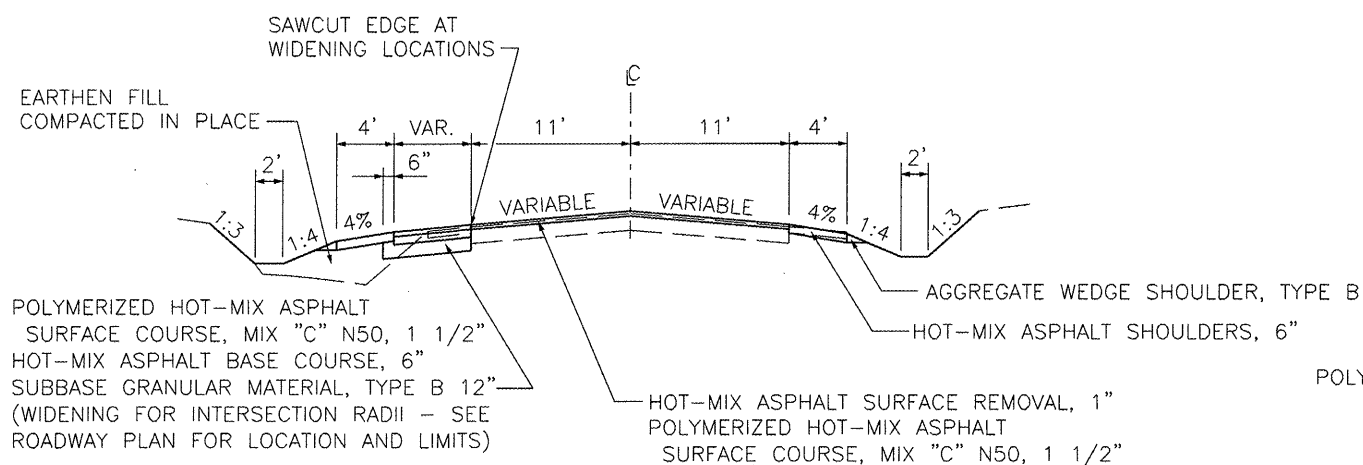


AGGREGATE WEDGE SHOULDER, TYPE B
HOT-MIX ASPHALT SHOULDERS, 6"
HOT-MIX ASPHALT SURFACE REMOVAL, 1"
POLYMERIZED HOT-MIX ASPHALT SURFACE COURSE, MIX "C" N50, 1 1/2"

POLYMERIZED HOT-MIX ASPHALT SURFACE COURSE, MIX "C" N50, 1 1/2"
HOT-MIX ASPHALT BASE COURSE, 6"
SUBBASE GRANULAR MATERIAL, TYPE B 12"
(WIDENING FOR INTERSECTION RADII - SEE ROADWAY PLAN FOR LOCATION AND LIMITS)

PROPOSED TYPICAL SECTION - DEE-MACK ROAD

STA. 199+13.5 TO STA. 200+00

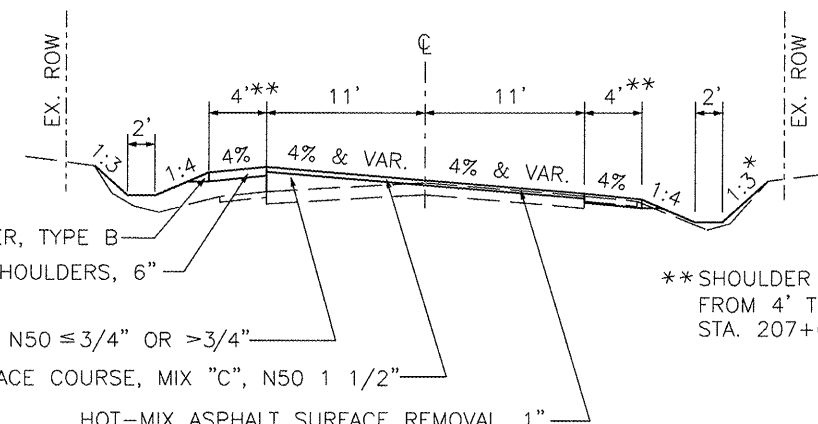


POLYMERIZED HOT-MIX ASPHALT SURFACE COURSE, MIX "C" N50, 1 1/2"
HOT-MIX ASPHALT BASE COURSE, 6"
SUBBASE GRANULAR MATERIAL, TYPE B 12"
(WIDENING FOR INTERSECTION RADII - SEE ROADWAY PLAN FOR LOCATION AND LIMITS)

HOT-MIX ASPHALT SURFACE REMOVAL, 1"
POLYMERIZED HOT-MIX ASPHALT SURFACE COURSE, MIX "C" N50, 1 1/2"

PROPOSED TYPICAL SECTION - DEE-MACK ROAD

STA. 200+00 TO STA. 200+86.3



AGGREGATE WEDGE SHOULDER, TYPE B
HOT-MIX ASPHALT SHOULDERS, 6"
LEVELING BINDER (MACHINE METHOD) N50 ≤ 3/4" OR > 3/4"
POLYMERIZED HOT-MIX ASPHALT SURFACE COURSE, MIX "C", N50 1 1/2"

HOT-MIX ASPHALT SURFACE REMOVAL, 1"

* BACKSLOPE VARIES FROM 1:3 TO 1:8 (SEE CROSS SECTIONS)

** SHOULDER WIDTH TRANSITIONS FROM 4' TO 2'
STA. 207+61 TO STA. 208+11

PROPOSED TYPICAL SECTION - DEE-MACK ROAD

STA. 200+86.30 TO STA. 208+11

SEE TYPICAL SECTION SHEET 4 FOR PAVEMENT DESIGN DATA

FILE NAME =	USER NAME =
X:\PROJECTS\2007705906\DDN\DEEMACK-COOPER\PLANS-REFS\TYPICAL SECTIONS.DGN	
PLOT SCALE =	PLOT DATE = 2/24/2012

DESIGNED - REW	REVISED -
DRAWN - KRS, DLC	REVISED -
CHECKED - KMC	REVISED -
DATE -	REVISED -

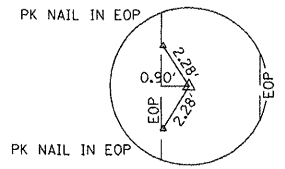
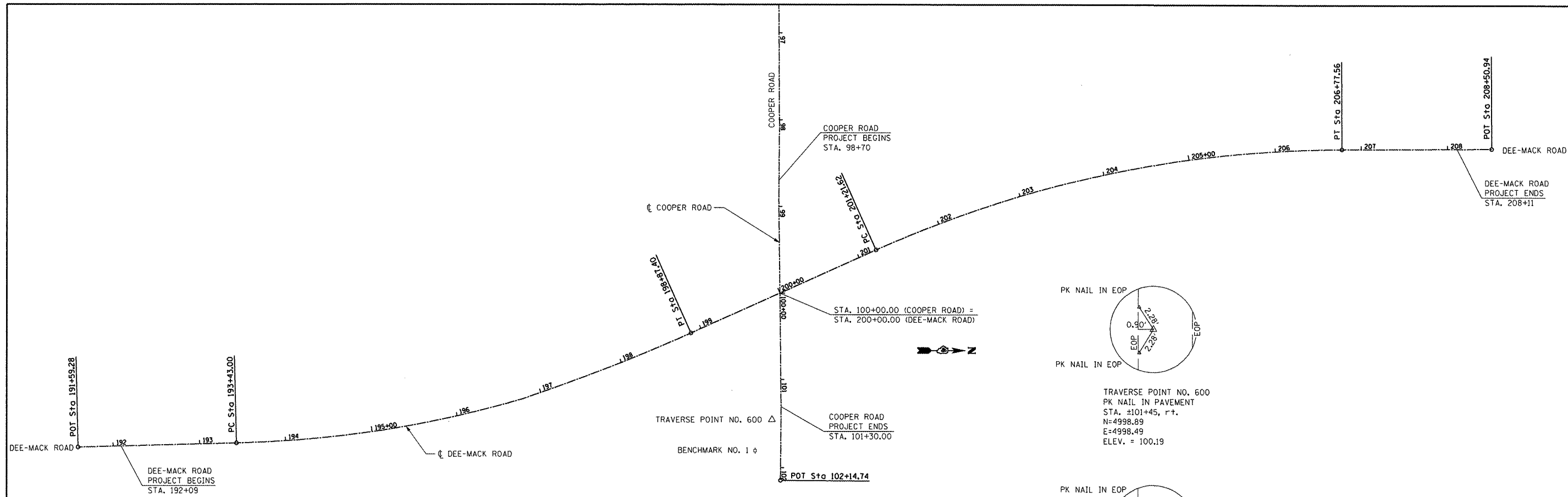
STATE OF ILLINOIS
DEPARTMENT OF TRANSPORTATION

TAZEWELL COUNTY - DEE-MACK ROAD AND COOPER ROAD
INTERSECTION IMPROVEMENTS
DEE-MACK - TYPICAL SECTIONS

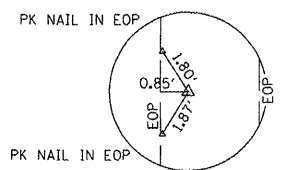
SCALE: SHEET NO. OF SHEETS STA. TO STA.

F.A.S. RTE.	SECTION	COUNTY	TOTAL SHEETS	SHEET NO.
470	10-00076-00 RS	TAZEWELL	38	5

ILLINOIS FED. AID PROJECT



TRAVERSE POINT NO. 600
 PK NAIL IN PAVEMENT
 STA. ±101+45, RT.
 N=4998.89
 E=4998.49
 ELEV. = 100.19



TRAVERSE POINT NO. 601
 PK NAIL IN PAVEMENT
 STA. ±103+48, RT.
 N=4999.30
 E=5401.15
 ELEV. = 99.42

BENCHMARK NO. 1: BOLT IN NORTH SIDE POWER POLE W/TRANSFORMER
 COOPER ROAD STA. ±100+81, ±29' RT.
 N=4980.20
 E=50343.36
 ELEV. = 101.09

NOTE:
 SEE CROSS SECTIONS FOR EDGE OF PAVEMENT ELEVATIONS
 IN SUPERELEVATED AREAS.

DEE MACK ROAD CENTERLINE COORDINATES		
STATION	NORTHING	EASTING
192+00.00	4236.720	5028.809
193+00.00	4336.688	5026.278
194+00.00	4436.612	5022.600
195+00.00	4536.082	5012.527
196+00.00	4634.387	4994.344
197+00.00	4730.834	4968.124
198+00.00	4824.736	4933.772
198+87.40	4905.229	4899.744
199+00.00	4916.721	4894.572
200+00.00	5007.910	4853.529
201+00.00	5099.099	4812.485
201+21.62	5118.814	4803.612
202+00.00	5191.196	4773.570
203+00.00	5285.900	4741.532
204+00.00	5382.747	4716.712
205+00.00	5481.187	4699.252
206+00.00	5580.662	4689.251
207+00.00	5680.607	4686.575
208+00.00	5780.606	4686.164

COOPER ROAD CENTERLINE COORDINATES		
STATION	NORTHING	EASTING
98+00.00	5007.066	4653.578
99+00.00	5006.523	4753.575
100+00.00	5007.826	4853.566
101+00.00	5009.064	4953.558
102+00.00	5008.972	5053.554

DEE MACK ROAD		
2.0%	2.0%	208+11.56
2.0%	2.0%	207+15.56
2.0%	2.0%	206+34.56
4.0%	4.0%	201+64.62
0.0%	0.0%	200+00.00
4.0%	4.0%	198+44.40
4.0%	4.0%	193+86.00
2.0%	2.0%	193+05.00
2.0%	2.0%	192+09.00

SUPERELEVATION TRANSITION STATIONS

FILE NAME = X:\PROJECTS\280709560\VDGN\DEEMACK-COOPER\PLANS-REFS\ALIGNMENT TIES AND BENCHMARKS.DGN

USER NAME =
 PLOT SCALE =
 PLOT DATE = 2/24/2012

DESIGNED - REW
 DRAWN - KRS, DLC
 CHECKED - KMC
 DATE -

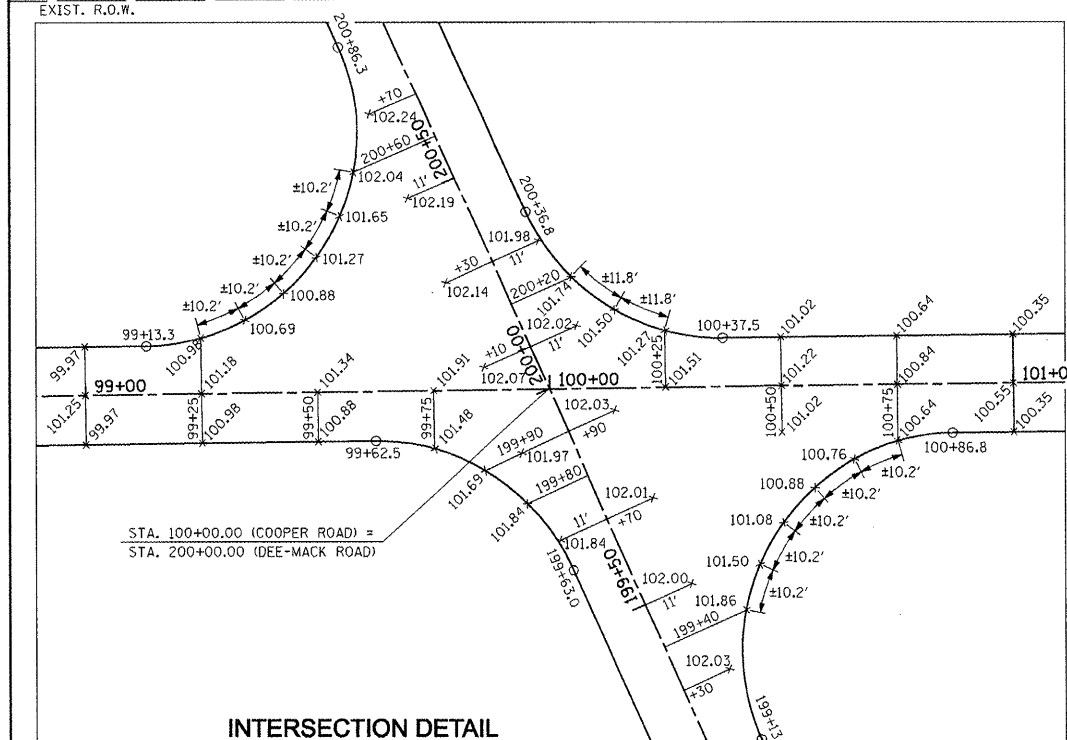
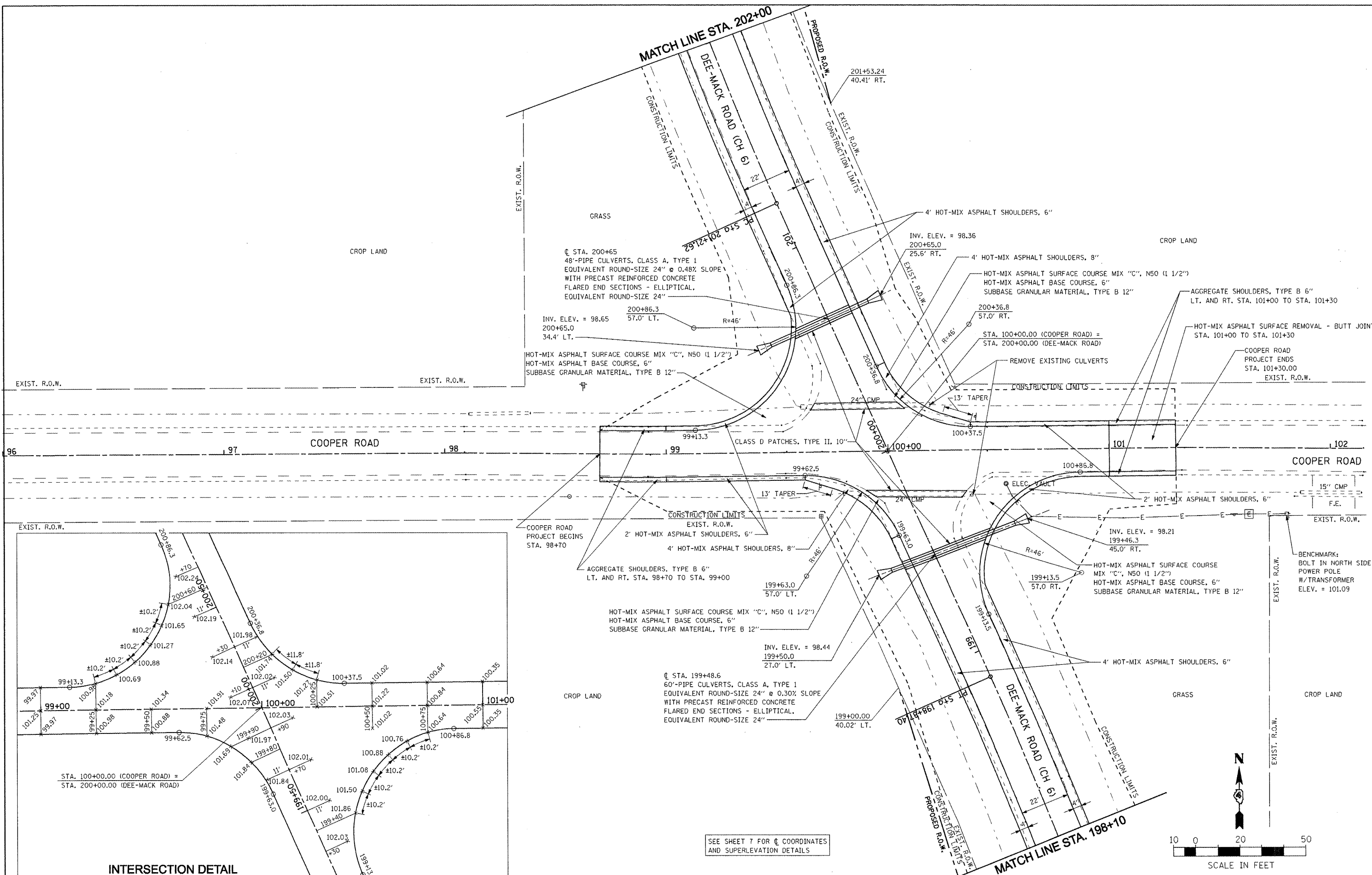
REVISED -
 REVISED -
 REVISED -
 REVISED -

STATE OF ILLINOIS
 DEPARTMENT OF TRANSPORTATION

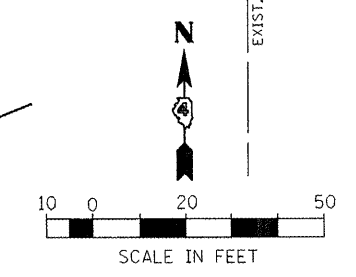
TAZEWELL COUNTY - DEE-MACK ROAD AND COOPER ROAD
 INTERSECTION IMPROVEMENTS
 SUPERELEVATION DETAILS, LINE DIAGRAM, ALIGNMENT TIES, AND BENCHMARKS
 SCALE: SHEET NO. OF SHEETS STA. TO STA.

F.A.S. RTE.	SECTION	COUNTY	TOTAL SHEETS	SHEET NO.
470	10-00076-00 RS	TAZEWELL	38	7

[ILLINOIS] FED. AID PROJECT



SEE SHEET 7 FOR ϕ COORDINATES AND SUPERELEVATION DETAILS



FILE NAME = X:\PROJECTS\200705506\DEEMACK-COOPER\PLANS-REFSYRDWY.PLAN.DWG

USER NAME =
 PLOT SCALE =
 PLOT DATE = 2/24/2012

DESIGNED - REW
 DRAWN - KRS, DLC
 CHECKED - KMC
 DATE -

REVISED -
 REVISED -
 REVISED -
 REVISED -

**STATE OF ILLINOIS
 DEPARTMENT OF TRANSPORTATION**

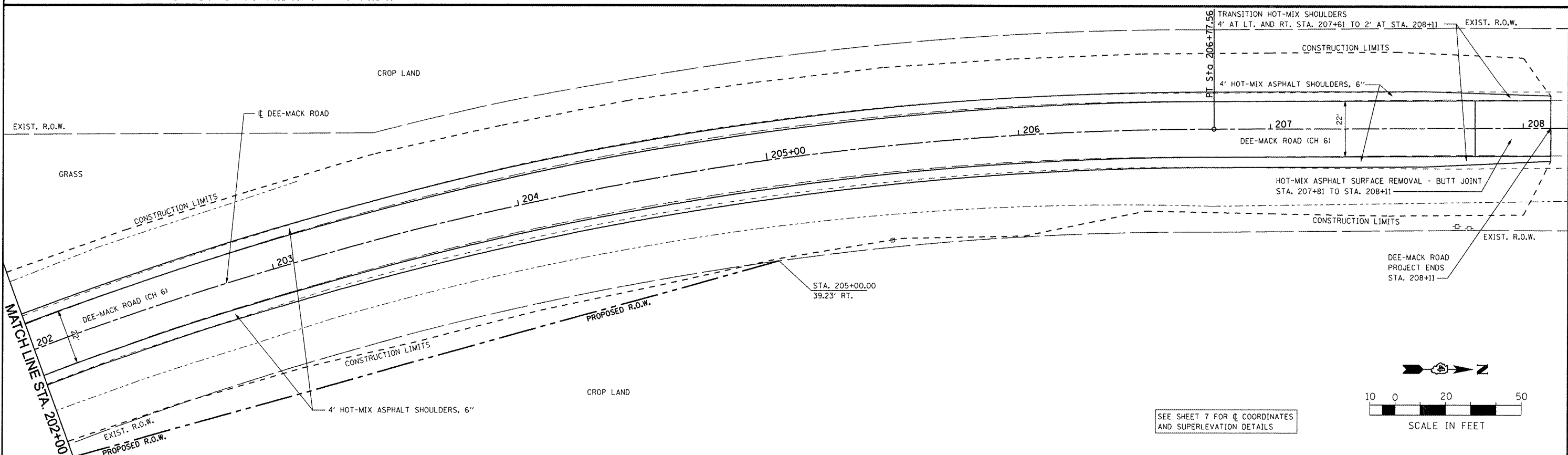
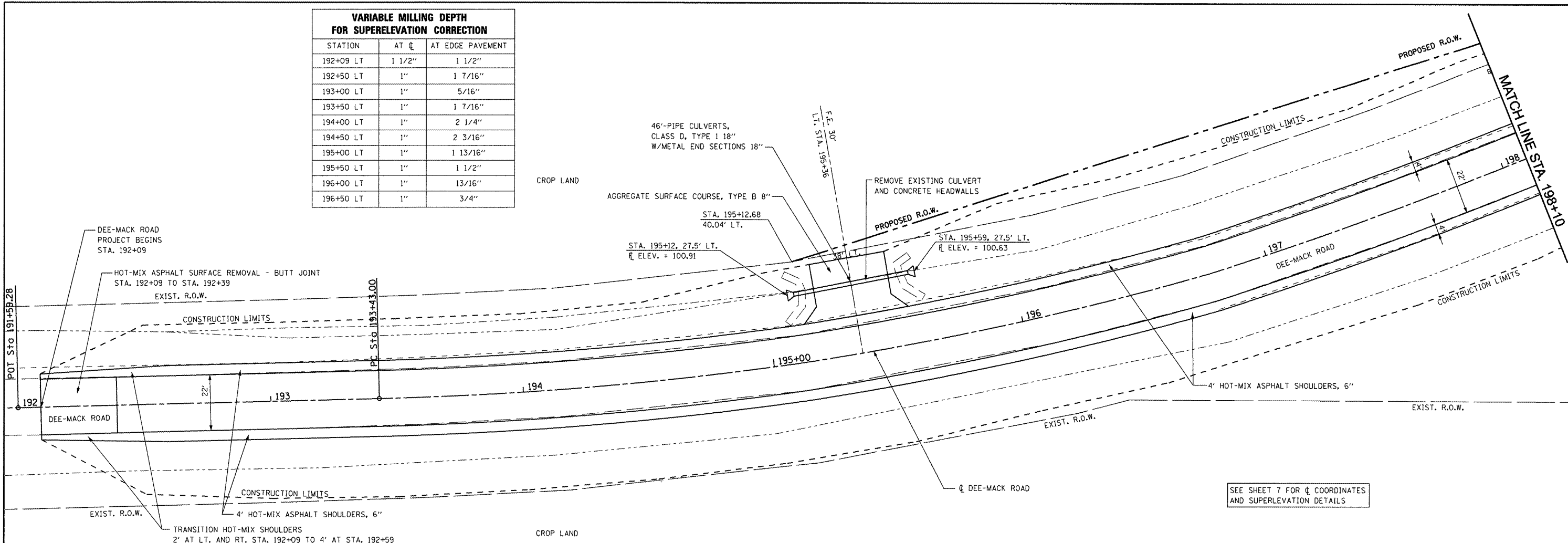
**TAZEWELL COUNTY - DEE-MACK ROAD AND COOPER ROAD
 INTERSECTION IMPROVEMENTS
 ROADWAY PLAN**

F.A.S. RTE.	SECTION	COUNTY	TOTAL SHEETS	SHEET NO.
470	10-00076-00 RS	TAZEWELL	38	8

SCALE: SHEET NO. OF SHEETS STA. TO STA.

ILLINOIS FED. AID PROJECT

VARIABLE MILLING DEPTH FOR SUPERELEVATION CORRECTION		
STATION	AT C	AT EDGE PAVEMENT
192+09 LT	1 1/2"	1 1/2"
192+50 LT	1"	1 7/16"
193+00 LT	1"	5/16"
193+50 LT	1"	1 7/16"
194+00 LT	1"	2 1/4"
194+50 LT	1"	2 3/16"
195+00 LT	1"	1 13/16"
195+50 LT	1"	1 1/2"
196+00 LT	1"	13/16"
196+50 LT	1"	3/4"



FILE NAME = X:\PROJECTS\2007705506\DCN\DEEMACK-COOPER\PLANS-REFS\RDWY PLAN 02.DGN

USER NAME =
 PLOT SCALE =
 PLOT DATE = 2/24/2012

DESIGNED - REW	REVISED -
DRAWN - KRS, DLC	REVISED -
CHECKED - KMC	REVISED -
DATE -	REVISED -

**STATE OF ILLINOIS
 DEPARTMENT OF TRANSPORTATION**

**TAZEWELL COUNTY - DEE-MACK ROAD AND COOPER ROAD
 INTERSECTION IMPROVEMENTS
 ROADWAY PLAN**

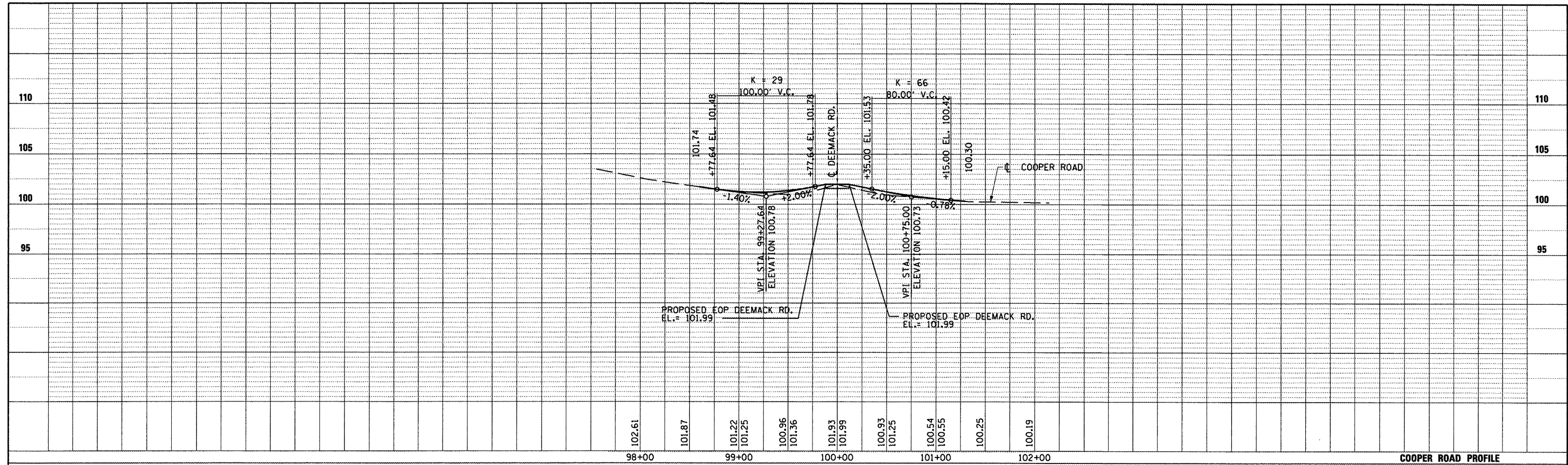
SCALE: SHEET NO. OF SHEETS STA. TO STA.

F.A.S. RTE.	SECTION	COUNTY	TOTAL SHEETS	SHEET NO.
470	10-00076-00 RS	TAZEWELL	38	9

ILLINOIS FED. AID PROJECT

PLAN
 CHECKED BY _____ DATE _____
 PLOTTED BY _____
 NOTE BOOK NO. _____
 CADD FILE NAME _____

PROFILE
 CHECKED BY _____ DATE _____
 PLOTTED BY _____
 NOTE BOOK NO. _____
 STRUCTURE NOTATION _____



FILE NAME = X:\PROJECTS\2007705506\DDN\DEEMACK-COOPER\PLANS-REFS\COOPER PROFILE.DGN
 USER NAME = IDOT
 DESIGNED - KRS
 DRAWN - KRS
 CHECKED - KMC
 DATE -

REVISED -
 REVISED -
 REVISED -
 REVISED -
 PLOT SCALE = 1/32" = 1/8" / 1" IN.
 PLOT DATE = 2/24/2012

STATE OF ILLINOIS
 DEPARTMENT OF TRANSPORTATION

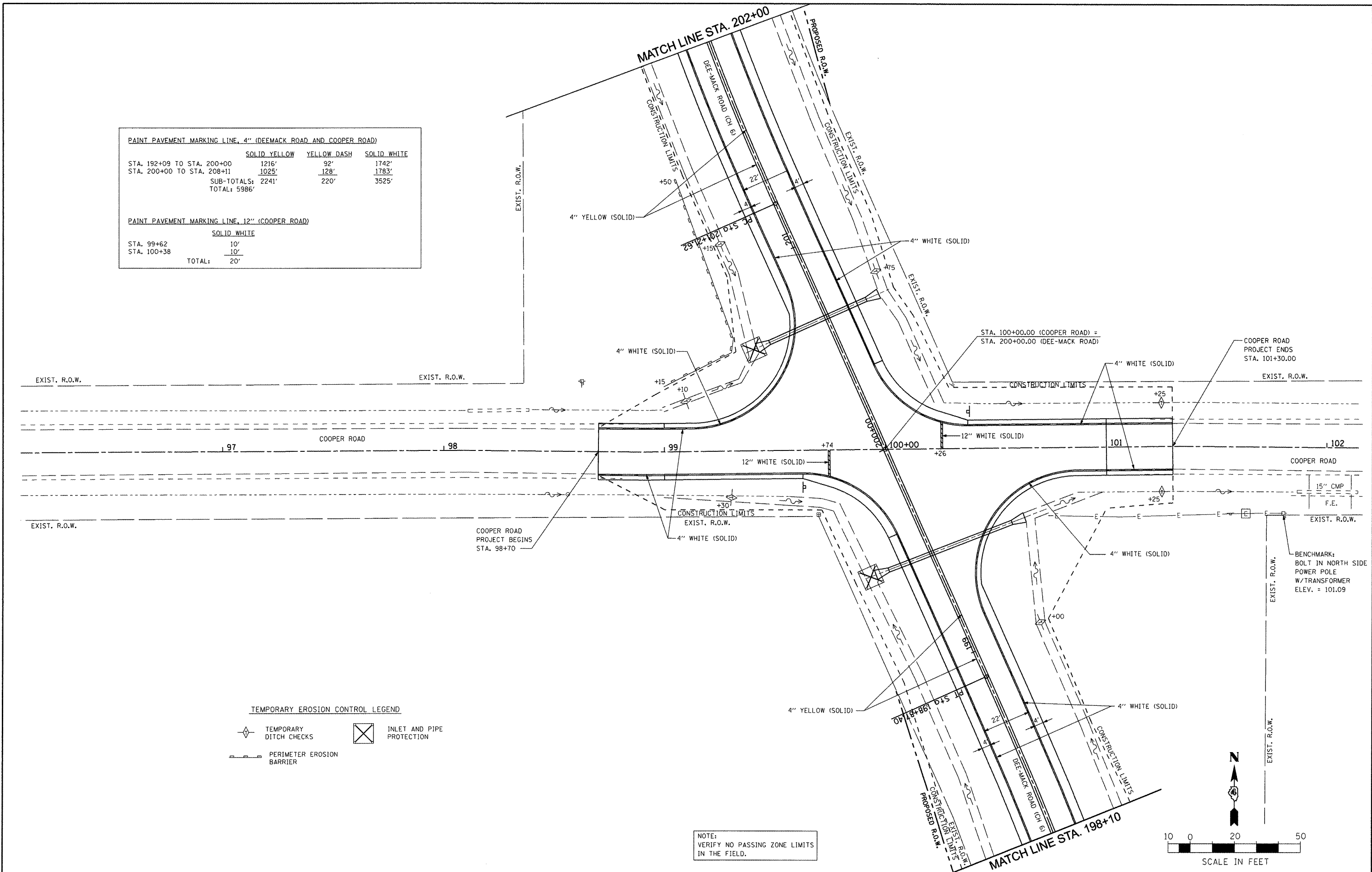
TAZEWELL COUNTY - DEE-MACK ROAD AND COOPER ROAD
 INTERSECTION IMPROVEMENTS
 COOPER ROAD PROFILE

SCALE: SHEET NO. OF SHEETS STA. TO STA.

F.A. RTE.	SECTION	COUNTY	TOTAL SHEETS	SHEET NO.
	10-00076-00 RS	TAZEWELL	38	10
CONTRACT NO. 89591			ILLINOIS FED. AID PROJECT	

PAINT PAVEMENT MARKING LINE, 4" (DEEMACK ROAD AND COOPER ROAD)			
	SOLID YELLOW	YELLOW DASH	SOLID WHITE
STA. 192+09 TO STA. 200+00	1216'	92'	1742'
STA. 200+00 TO STA. 208+11	1025'	128'	1783'
SUB-TOTALS:	2241'	220'	3525'
TOTAL:	5986'		

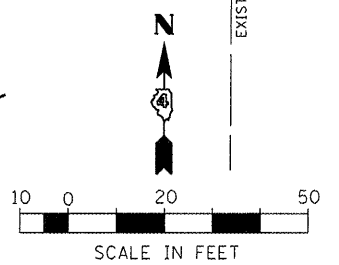
PAINT PAVEMENT MARKING LINE, 12" (COOPER ROAD)	
	SOLID WHITE
STA. 99+62	10'
STA. 100+38	10'
TOTAL:	20'



TEMPORARY EROSION CONTROL LEGEND

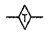

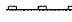
	TEMPORARY DITCH CHECKS		INLET AND PIPE PROTECTION
	PERIMETER EROSION BARRIER		

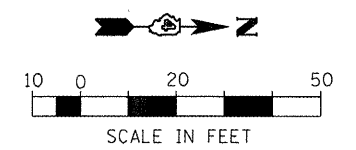
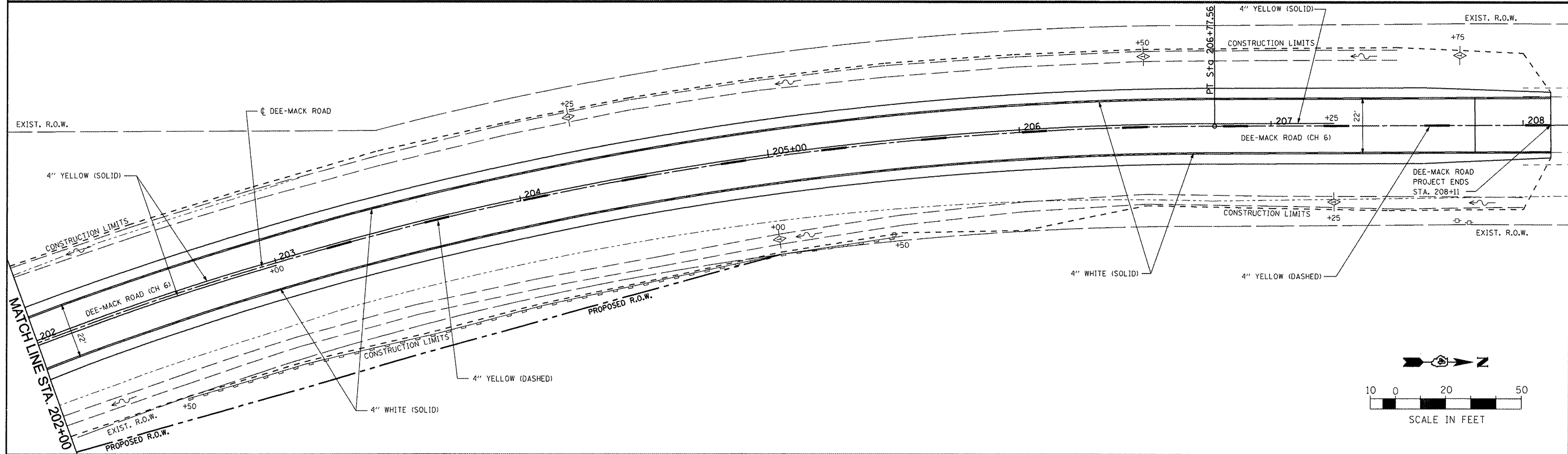
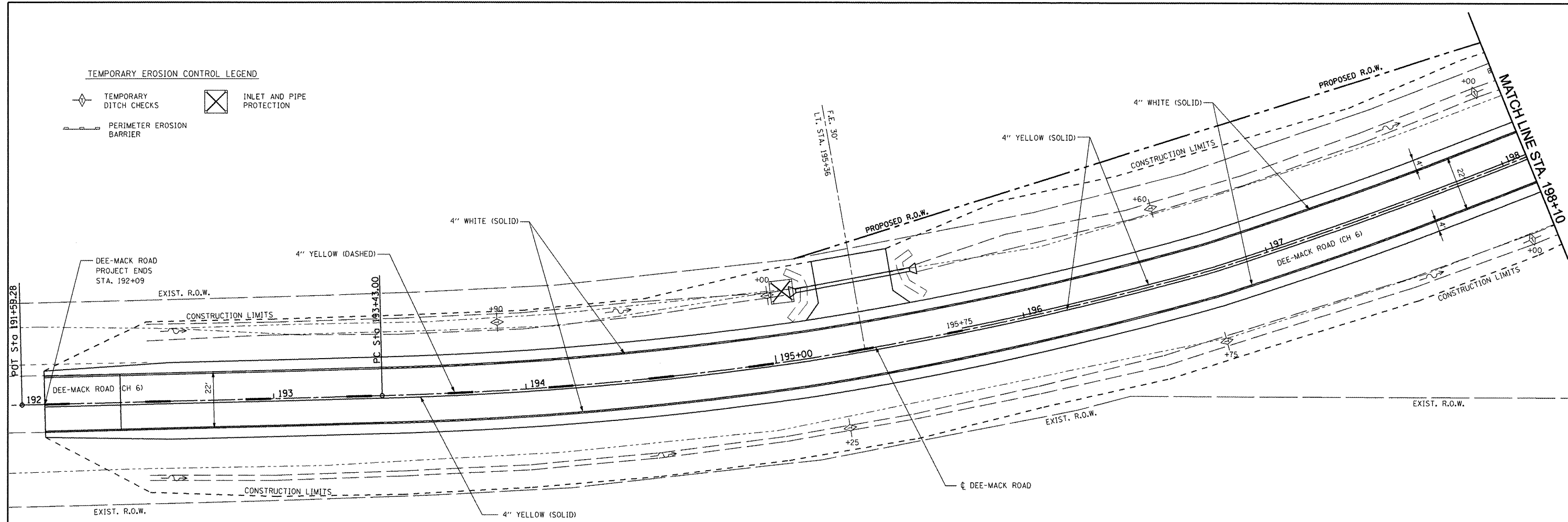
NOTE:
VERIFY NO PASSING ZONE LIMITS
IN THE FIELD.



FILE NAME = X:\PROJECTS\ 200705506\DWG\DEEMACK-COOPER\ PLANS-REFS\PAVT MRKNG-EROS CNTRL 01.DGN	USER NAME =	DESIGNED - REW	REVISED -	STATE OF ILLINOIS DEPARTMENT OF TRANSPORTATION	TAZEWELL COUNTY - DEE-MACK ROAD AND COOPER ROAD INTERSECTION IMPROVEMENTS PAVEMENT MARKING AND EROSION CONTROL PLAN		F.A.S. RTE.	SECTION	COUNTY	TOTAL SHEETS	SHEET NO.	
	PLOT SCALE =	DRAWN - KRS, DLC	REVISED -		SCALE:	SHEET NO. OF SHEETS	STA. TO STA.	470	10-00076-00 RS	TAZEWELL	38	11
	PLOT DATE = 2/24/2012	CHECKED - KMC	REVISED -					ILLINOIS FED. AID PROJECT				
		DATE -	REVISED -									

TEMPORARY EROSION CONTROL LEGEND

-  TEMPORARY DITCH CHECKS
-  INLET AND PIPE PROTECTION
-  PERIMETER EROSION BARRIER



FILE NAME = X:\PROJECTS\20070506\DDG\DEEMACK-COOPER\PLANS-REFS\PAVT MRKNG-EROS CNTRL 02.DGN	USER NAME =	DESIGNED - REW	REVISED -
	PLOT SCALE =	DRAWN - KRS, DLC	REVISED -
	PLOT DATE = 2/24/2012	CHECKED - KMC	REVISED -
		DATE -	REVISED -

DESIGNED - REW	REVISED -
DRAWN - KRS, DLC	REVISED -
CHECKED - KMC	REVISED -
DATE -	REVISED -

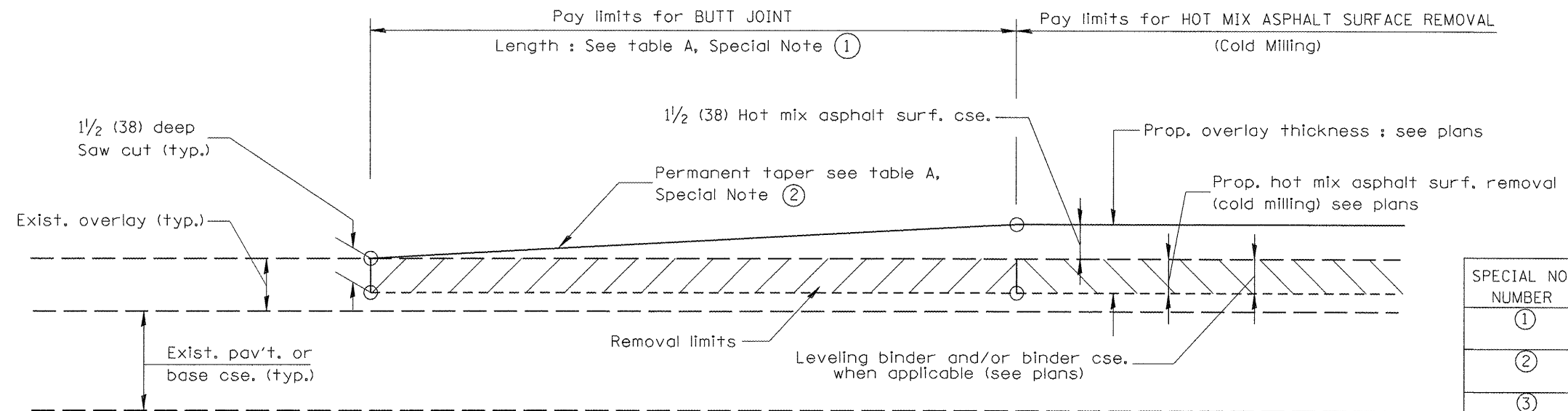
**STATE OF ILLINOIS
DEPARTMENT OF TRANSPORTATION**

**TAZEWELL COUNTY - DEE-MACK ROAD AND COOPER ROAD
INTERSECTION IMPROVEMENTS
PAVEMENT MARKING AND EROSION CONTROL PLAN**

SCALE: SHEET NO. OF SHEETS STA. TO STA.

F.A.S. RTE.	SECTION	COUNTY	TOTAL SHEETS	SHEET NO.
470	10-00076-00 RS	TAZEWELL	38	12
ILLINOIS FED. AID PROJECT				

DESIGNER NOTES:
 1. Include District Special Provision for Butt Joints & for Hot Mix Asphalt Removal (Cold Milling).
 2. The butt joints pay item includes the saw cut & temporary ramp. Payment for the Butt Joint applies whether or not the project features Hot Mix Asphalt Removal (Cold Milling).



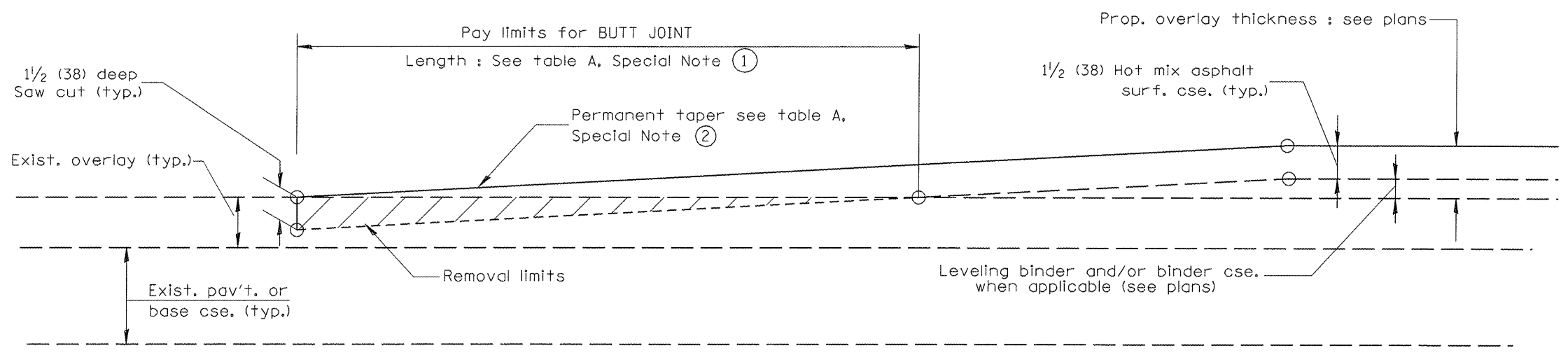
CASE 1 : WITH HOT MIX ASPHALT SURFACE REMOVAL (COLD MILLING)

TABLE A
(LENGTHS AND TAPER RATES)

SPECIAL NOTE NUMBER	ELEMENT	MAINLINE INTERSTATES & 4-LANE EXPRESSWAYS	ALL OTHERS
①	LENGTH OF BUTT JOINT	60'(18.0 m)	30'(9.0 m)
②	PERMANENT TAPER RATE	1:480	1:240
③	TEMPORARY RAMP TAPER RATE	1:80	1:40
④	TEMPORARY RAMP LENGTH	10'(3.0 m)	5'(1.5 m)
⑤	LENGTH OF BUTT JOINT	10'(3.0 m)	10'(3.0 m)

GENERAL NOTES

- The work shall be done in accordance with Article 406.08 and the Special Provision for Butt Joints.
- The pavement surface to be removed may be either bituminous or P.C. concrete. The work shall be performed in accordance with Article 440.04 and the Special Provisions for Butt Joints.
- The saw cut joints shall be primed just prior to the placing of bituminous material. The work will be in accordance with the applicable portions of Article 406.05.



CASE 2 : NO HOT MIX ASPHALT SURFACE REMOVAL (COLD MILLING)

All dimensions are in inches (millimeters) unless otherwise noted.

01-01-97	RENUM. C-23.01, NEW REVISION BOX	T.P.		
04-01-97	CORRECTION TO DEPTH	J.A.		
09-15-05	REVISED DESIGNER NOTE	M.M.A.		
10-16-06	REVISED TO 2007 SPEC.	M.A.		

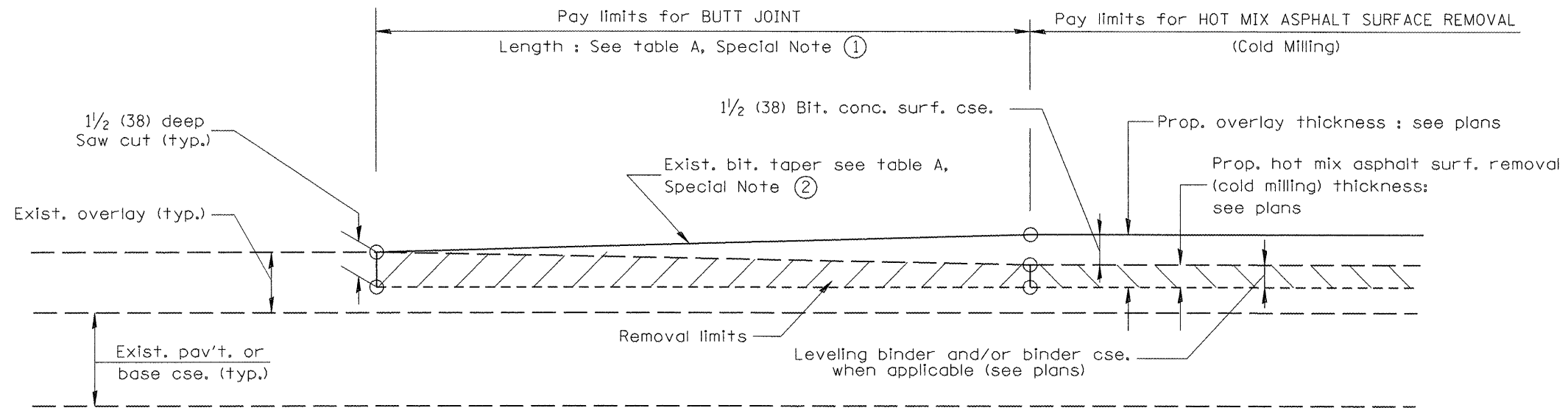
STATE OF ILLINOIS
DEPARTMENT OF TRANSPORTATION

BUTT JOINTS

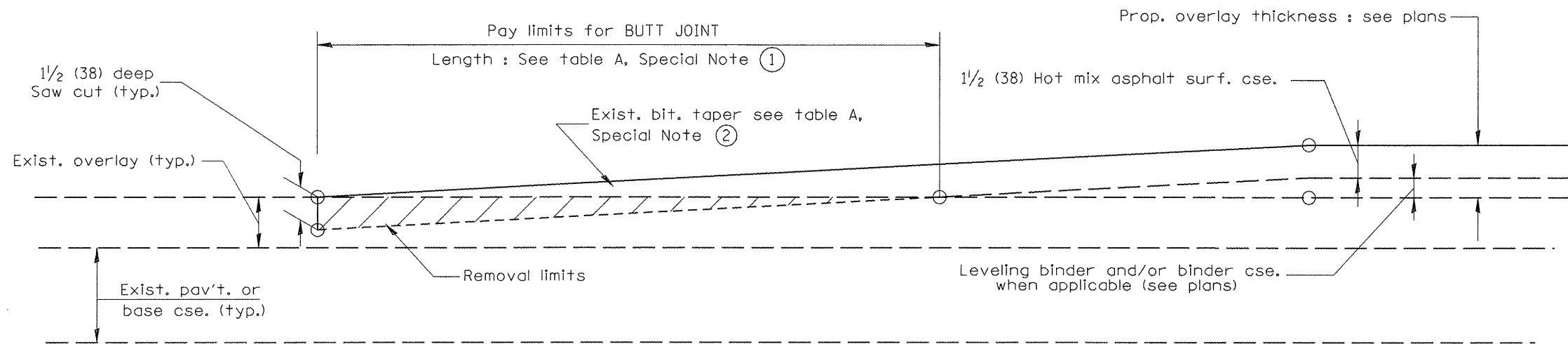
NOT TO SCALE

SHT. 1 OF 3
CADD STD. 406101-D4

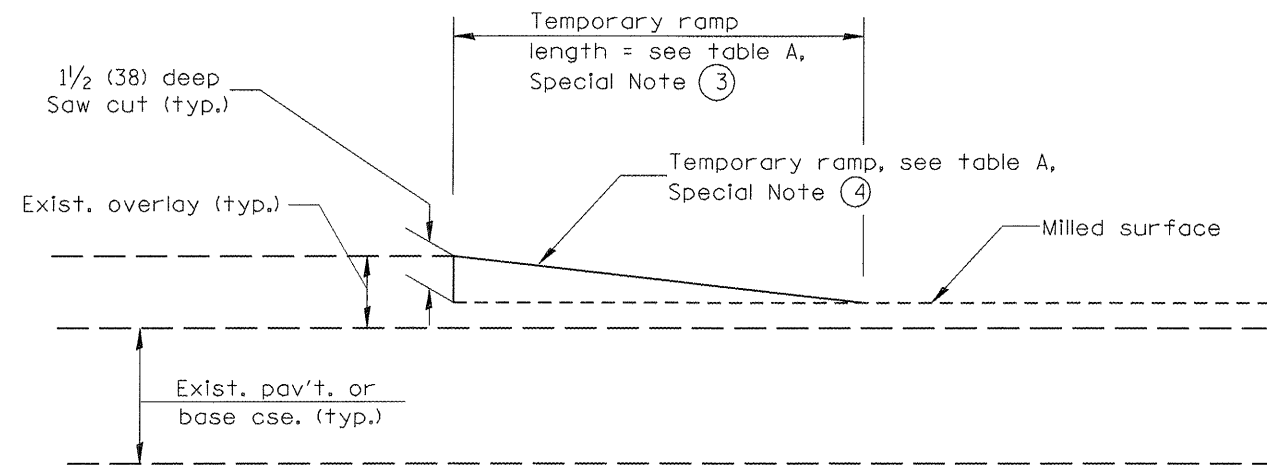
F.A. RTE.	SECTION	COUNTY	TOTAL SHEETS	SHEET NO.
	10-00076-00-RS	TAZEWELL	37	13
FED. ROAD DIST. NO. 4 [ILLINOIS] FED. AID PROJECT			CONTRACT NO. 89581	



**CASE 3 : WITH HOT MIX ASPHALT SURFACE REMOVAL (COLD MILLING)
TIE-IN TO EXISTING BITUMINOUS TAPER**



**CASE 4 : NO HOT MIX ASPHALT SURFACE REMOVAL (COLD MILLING)
TIE-IN TO EXISTING BITUMINOUS TAPER**



DETAIL TEMPORARY RAMP

All dimensions are in inches (millimeters) unless otherwise noted.

--	--	--	--	--	--	--	--	--	--

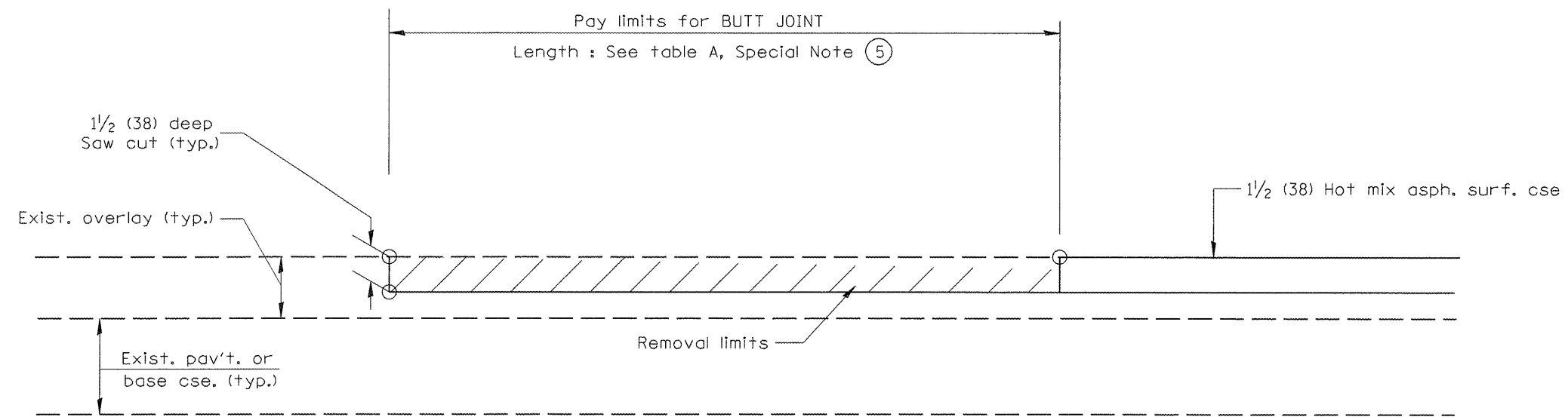
STATE OF ILLINOIS
DEPARTMENT OF TRANSPORTATION

BUTT JOINTS

NOT TO SCALE

SHT. 2 OF 3
CADD STD. 406101-D4

F.A. RTE.	SECTION	COUNTY	TOTAL SHEETS	SHEET NO.
	10-00076-00-RS	TAZEWELL	37	14
FED. ROAD DIST. NO. 4 ILLINOIS FED. AID PROJECT			CONTRACT NO. 89581	



CASE 5 : WITH HOT MIX ASPHALT SURFACE REMOVAL (COLD MILLING)
TIE-IN TO EXISTING BITUMINOUS TAPER

All dimensions are in inches (millimeters) unless otherwise noted.

STATE OF ILLINOIS
DEPARTMENT OF TRANSPORTATION

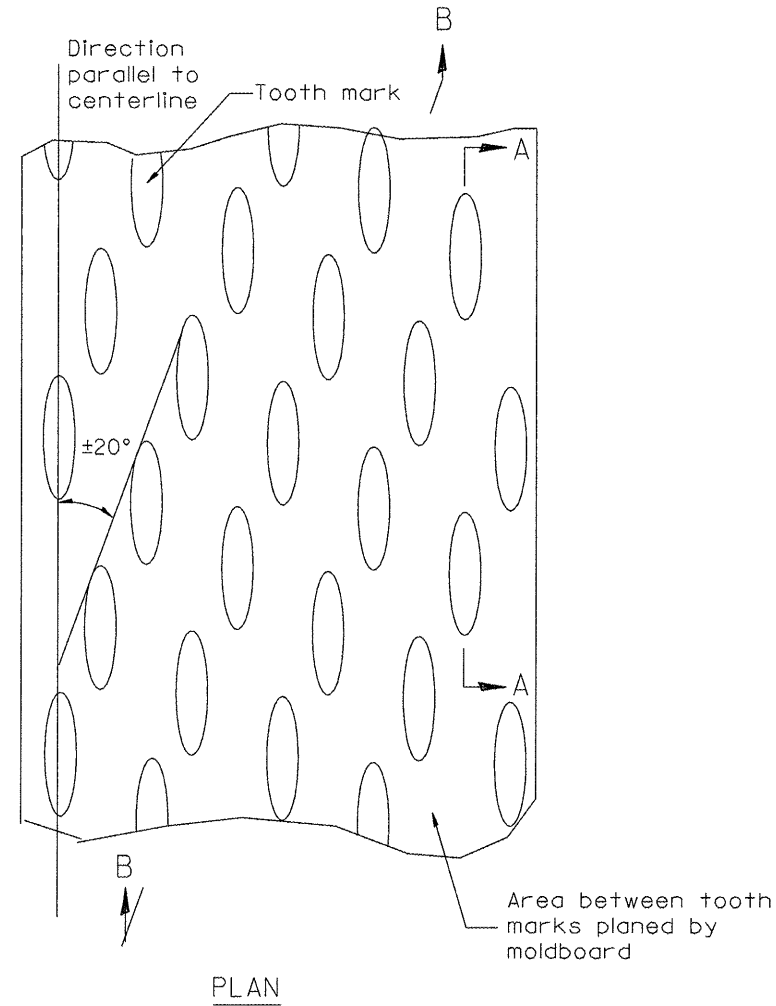
NOT TO SCALE

BUTT JOINTS

SHT. 3 OF 3
 CADD STD. 406101-D4

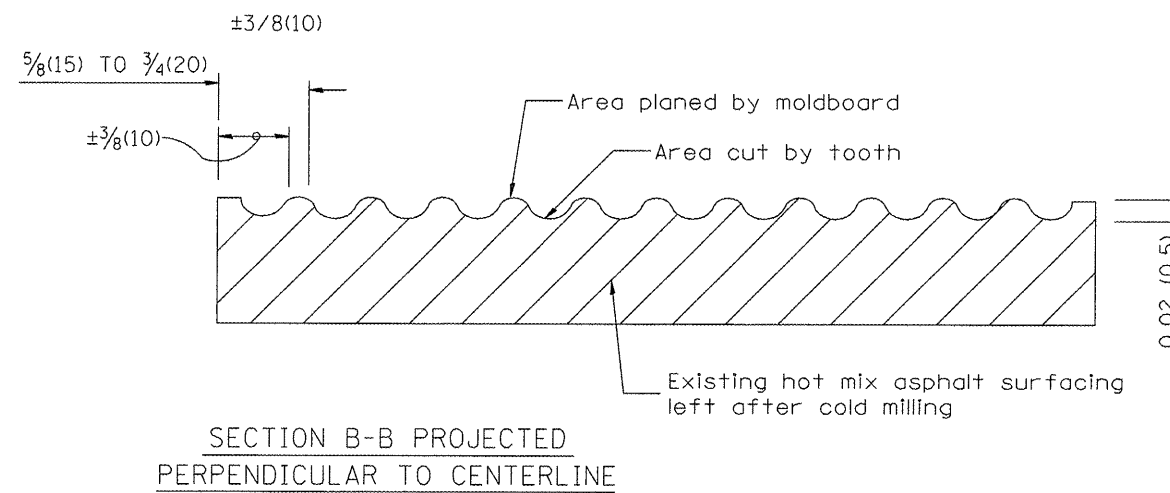
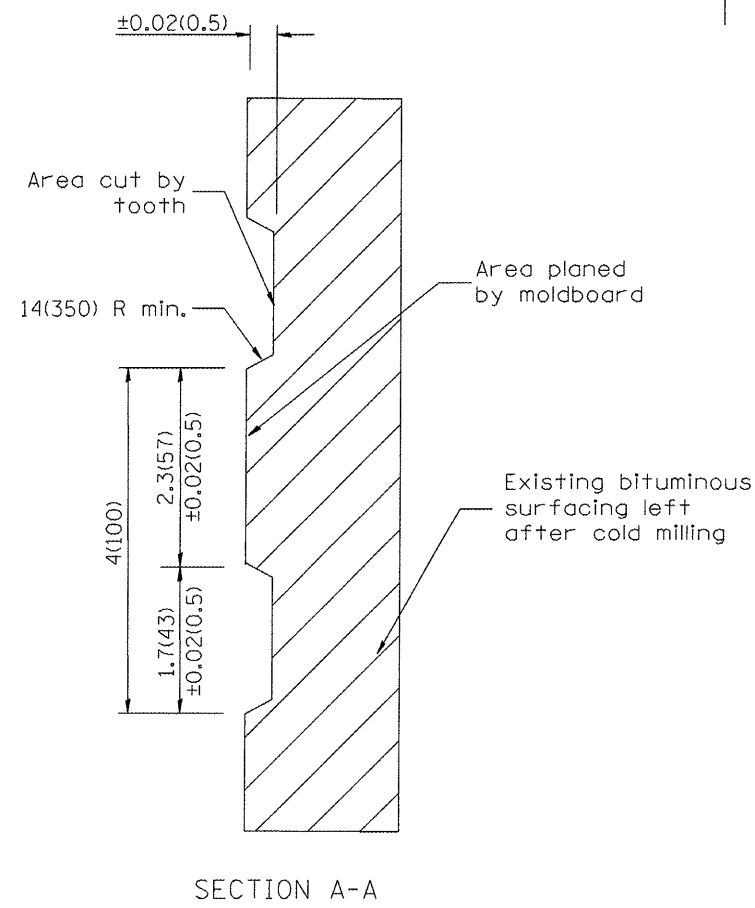
F.A. RTE.	SECTION	COUNTY	TOTAL SHEETS	SHEET NO.
	10-00076-00-RS	TAZEWELL	37	15
			CONTRACT NO. 89591	
FED. ROAD DIST. NO. 4 ILLINOIS FED. AID PROJECT				

DESIGNER NOTES:
1. INCLUDE DISTRICT SPECIAL PROVISION, IF APPLICABLE.



General notes:

1. Coldmilling shall consist of two processes: Cutting with carbide teeth mounted on a rotating drum, and planing with a moldboard mounted immediately behind the cutting drum.
2. Other similar patterns will be acceptable if they consist of a smooth, flat, planed surface interspersed with a pattern of discontinuous longitudinal striations.



All dimensions are in inches (millimeters) unless otherwise noted.

01-01-97	RENUM. C-104.01, NEW REVISION BOX	T.P.
04-20-98	REMOVED MILLING DETAIL FROM STANDARD	J.A.
09-08-98	CORRECT NOTE LEADER PLACEMENT	R.W.
10-16-06	REVISED TO 2007 SPEC.	M.A.

STATE OF ILLINOIS
DEPARTMENT OF TRANSPORTATION

HOT MIX ASPHALT SURFACE REMOVAL (COLD MILLING)
NOT TO SCALE

F.A.P. RTE.	SECTION	COUNTY	TOTAL SHEETS	SHEET NO.
	10-00076-00-RS	TAZEWELL	33	16
CONTRACT NO. 89591			FED. ROAD DIST. NO. 4 ILLINOIS FED. AID PROJECT	

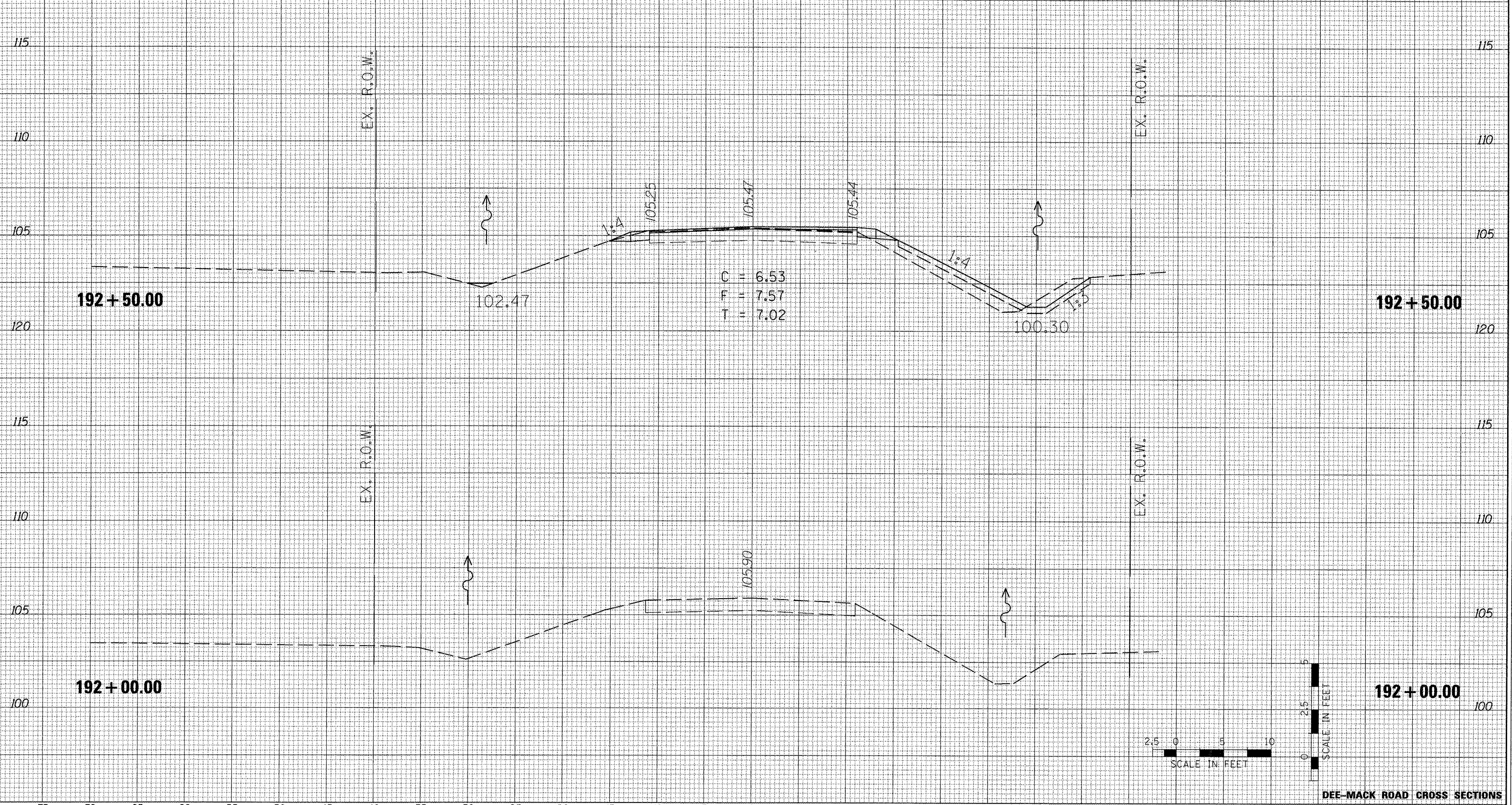
CADD STD. 440001-D4

75 70 65 60 55 50 45 40 35 30 25 20 15 10 5 0 5 10 15 20 25 30 35 40 45 50 55 60 65 70 75

UNLESS ELEVATIONS ARE SHOWN, ALL UTILITY LOCATIONS SHOWN ON THE CROSS SECTIONS ARE BASED ON THE APPROXIMATE DEPTH SUPPLIED BY THE UTILITY CO. & SHOULD BE FIELD VERIFIED BY CONTRACTOR

DATE	
BY	
FINAL SURVEY	
NOTE BOOK	
NO.	
AREAS CHECKED	

DATE	
BY	
ORIGINAL SURVEY	
NOTE BOOK	
NO.	
AREAS CHECKED	



C = 6.53
F = 7.57
T = 7.02



DEE-MACK ROAD CROSS SECTIONS

FILE NAME = X:\PROJECTS\200705506\COOPER ROAD\DGN\DEEMACK-COOPER\XS-DEEMACK-SHEETS.DGN

USER NAME = IDOT	DESIGNED -	REVISED -
PLOT SCALE = 9.9598" / IN.	DRAWN -	REVISED -
PLOT DATE = 2/24/2012	CHECKED -	REVISED -
	DATE -	REVISED -

STATE OF ILLINOIS
DEPARTMENT OF TRANSPORTATION

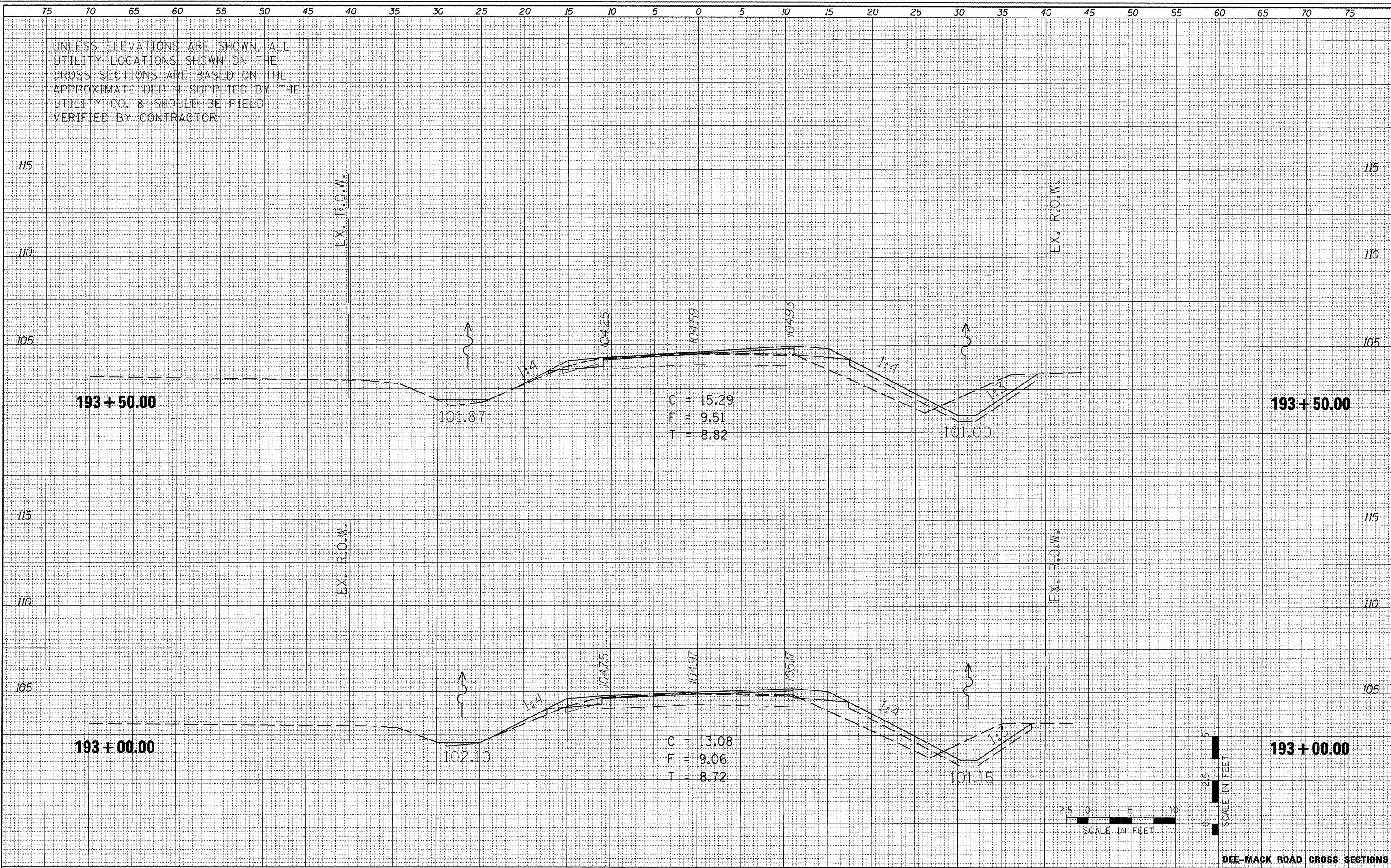
TAZEWELL COUNTY			
DEE-MACK ROAD AND COOPER ROAD INTERSECTION IMPROVEMENTS			
SCALE:	SHEET NO.	OF SHEETS	STA. TO STA.

F.A.S. RTE. 470	SECTION 10-00076-00-RS	COUNTY TAZEWELL	TOTAL SHEETS 38	SHEET NO. 17
CONTRACT NO. 89591				
ILLINOIS FED. AID PROJECT				

UNLESS ELEVATIONS ARE SHOWN, ALL UTILITY LOCATIONS SHOWN ON THE CROSS SECTIONS ARE BASED ON THE APPROXIMATE DEPTH SUPPLIED BY THE UTILITY CO. & SHOULD BE FIELD VERIFIED BY CONTRACTOR

DATE	
BY	
FINAL SURVEY	
PLOTTED	
NOTE BOOK	
AREAS CHECKED	
NO.	

DATE	
BY	
ORIGINAL SURVEY	
PLOTTED	
NOTE BOOK	
AREAS CHECKED	
NO.	



DEE-MACK ROAD CROSS SECTIONS

FILE NAME = X:\PROJECTS\200705506\COOPER ROAD\DCN\DEEMACK-COOPER\XS-DEEMACK-SHEETS.DGN

USER NAME = IDOT
 PLOT SCALE = 9.9598" / IN.
 PLOT DATE = 2/24/2012

DESIGNED -
 DRAWN -
 CHECKED -
 DATE -

REVISED -
 REVISED -
 REVISED -
 REVISED -

STATE OF ILLINOIS
 DEPARTMENT OF TRANSPORTATION

TAZEWELL COUNTY
 DEE-MACK ROAD AND COOPER ROAD
 INTERSECTION IMPROVEMENTS

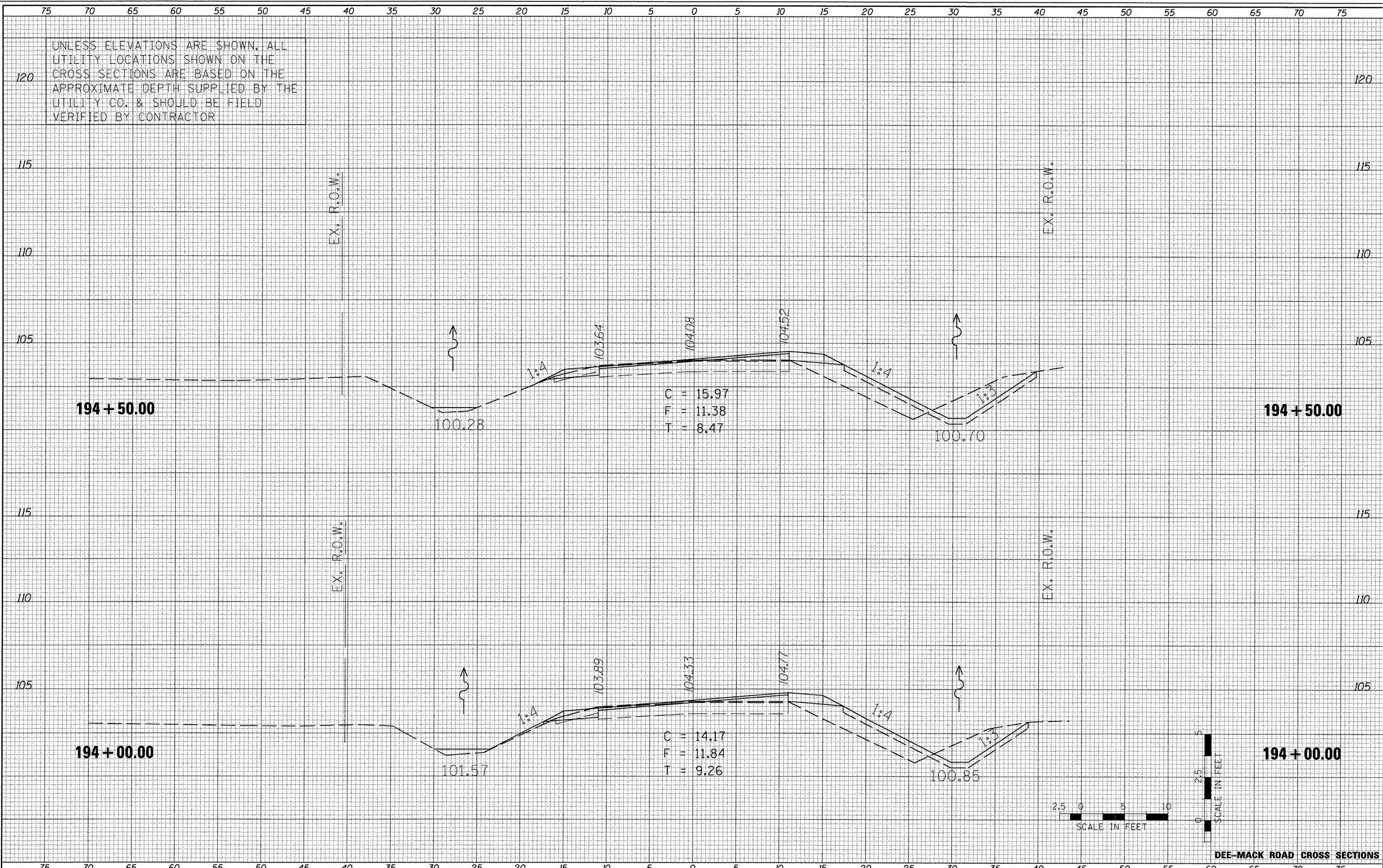
SCALE: SHEET NO. OF SHEETS STA. TO STA.

F.A.S. RTE.	SECTION	COUNTY	TOTAL SHEETS	SHEET NO.
470	10-00076-00-R5	TAZEWELL	38	18
CONTRACT NO. 89591			ILLINOIS FED. AID PROJECT	

UNLESS ELEVATIONS ARE SHOWN, ALL UTILITY LOCATIONS SHOWN ON THE CROSS SECTIONS ARE BASED ON THE APPROXIMATE DEPTH SUPPLIED BY THE UTILITY CO. & SHOULD BE FIELD VERIFIED BY CONTRACTOR

DATE	
BY	
FINAL SURVEY	
SURVEY PLOTTED	
NOTE BOOK	
AREAS CHECKED	

DATE	
BY	
ORIGINAL SURVEY	
SURVEY PLOTTED	
NOTE BOOK	
AREAS CHECKED	



FILE NAME = X:\PROJECTS\20070508\COOPER ROAD\DDGN\DEEMACK-COOPER\XS-DEEMACK-SHEETS.DGN

USER NAME = 1001	DESIGNED -	REVISD -
PLOT SCALE = 9.9598' / IN.	DRAWN -	REVISD -
PLOT DATE = 2/24/2012	CHECKED -	REVISD -
	DATE -	REVISD -

STATE OF ILLINOIS
DEPARTMENT OF TRANSPORTATION

TAZEWELL COUNTY
DEE-MACK ROAD AND COOPER ROAD
INTERSECTION IMPROVEMENTS

F.A.S. RTE. 470	SECTION 10-00076-00-RS	COUNTY TAZEWELL	TOTAL SHEETS 38	SHEET NO. 19
			CONTRACT NO. 89591	
ILLINOIS FED. AID PROJECT				

SCALE: SHEET NO. OF SHEETS STA. TO STA.

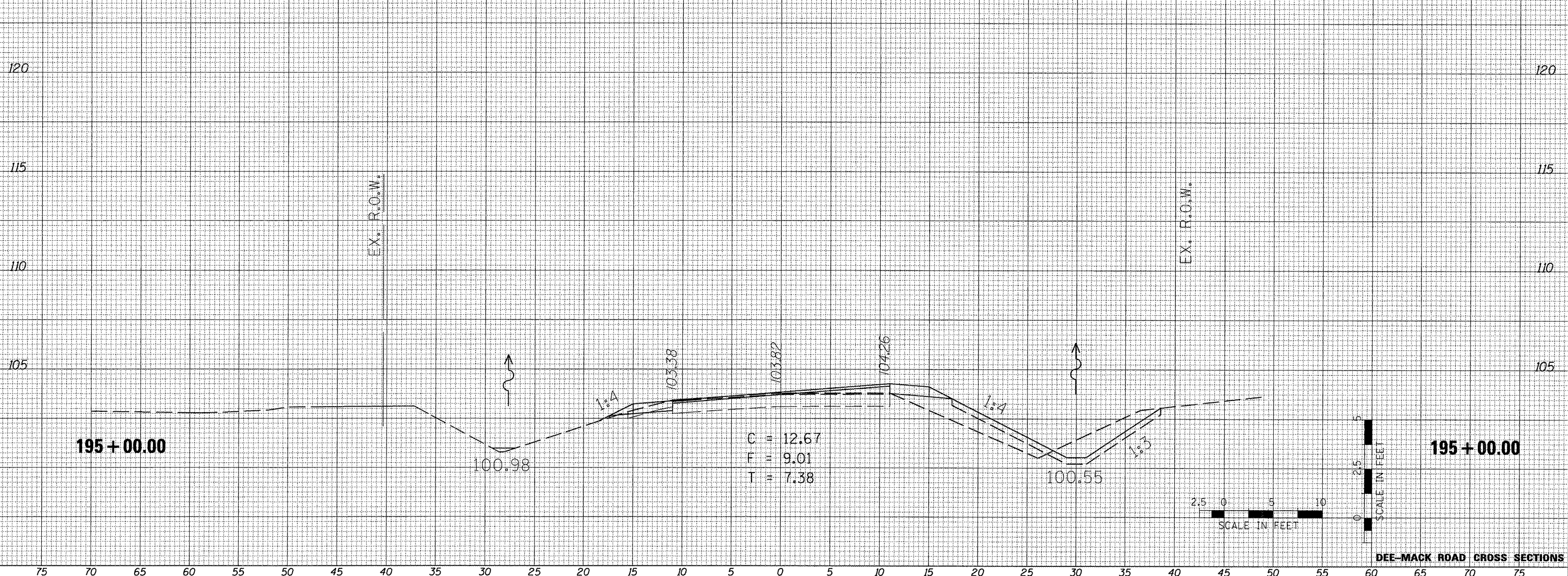
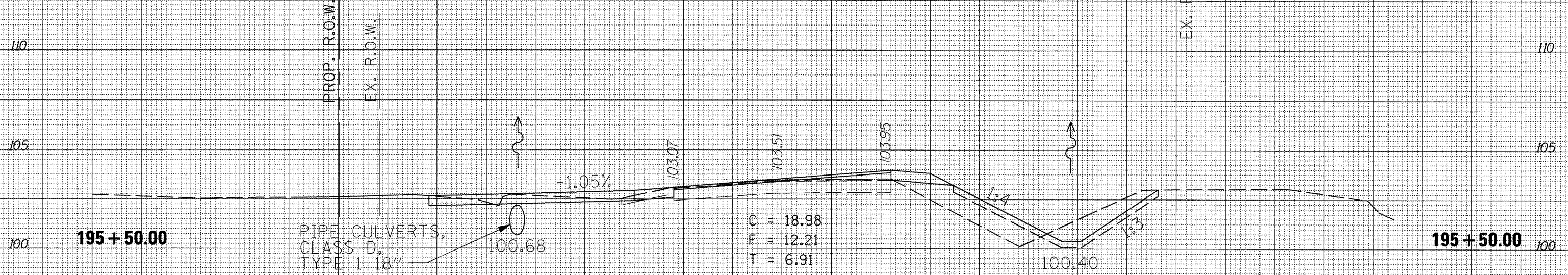
DEE-MACK ROAD CROSS SECTIONS

DATE _____
 BY _____
 SURVEYED _____
 PLOTTED _____
 NOTE BOOK _____
 TEMPLATE _____
 AREAS CHECKED _____
 NO. _____

DATE _____
 BY _____
 SURVEYED _____
 PLOTTED _____
 NOTE BOOK _____
 TEMPLATE _____
 AREAS CHECKED _____
 NO. _____

75 70 65 60 55 50 45 40 35 30 25 20 15 10 5 0 5 10 15 20 25 30 35 40 45 50 55 60 65 70 75

UNLESS ELEVATIONS ARE SHOWN, ALL UTILITY LOCATIONS SHOWN ON THE CROSS SECTIONS ARE BASED ON THE APPROXIMATE DEPTH SUPPLIED BY THE UTILITY CO. & SHOULD BE FIELD VERIFIED BY CONTRACTOR



75 70 65 60 55 50 45 40 35 30 25 20 15 10 5 0 5 10 15 20 25 30 35 40 45 50 55 60 65 70 75

FILE NAME = X:\PROJECTS\2007\05\06\COOPER ROAD\GN\DEEMACK-COOPER\XS-DEEMACK-SHEETS.DGN
 USER NAME = IDOT
 DESIGNED -
 DRAWN -
 CHECKED -
 DATE -
 PLOT SCALE = 9.9598" / IN.
 PLOT DATE = 2/24/2012

DESIGNED -
 DRAWN -
 CHECKED -
 DATE -
 REVISED -
 REVISED -
 REVISED -
 REVISED -

STATE OF ILLINOIS
 DEPARTMENT OF TRANSPORTATION

TAZEWELL COUNTY
 DEE-MACK ROAD AND COOPER ROAD
 INTERSECTION IMPROVEMENTS
 SCALE: SHEET NO. OF SHEETS STA. TO STA.

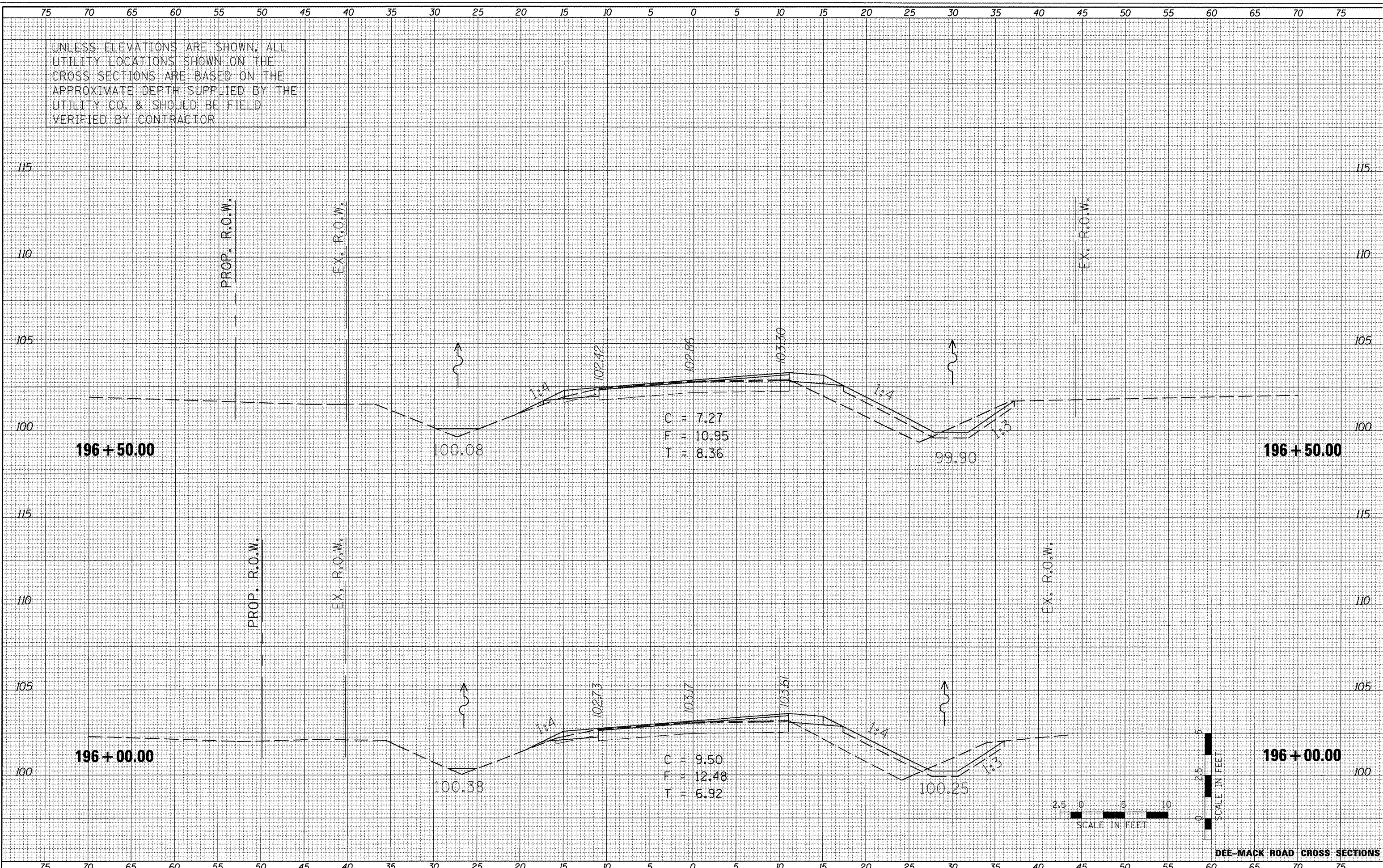
F.A.S. RTE. 470
 SECTION 10-00076-00-RS
 COUNTY TAZEWELL
 TOTAL SHEETS 38
 SHEET NO. 20
 CONTRACT NO. 89591
 ILLINOIS FED. AID PROJECT

DEE-MACK ROAD CROSS SECTIONS

UNLESS ELEVATIONS ARE SHOWN, ALL UTILITY LOCATIONS SHOWN ON THE CROSS SECTIONS ARE BASED ON THE APPROXIMATE DEPTH SUPPLIED BY THE UTILITY CO. & SHOULD BE FIELD VERIFIED BY CONTRACTOR

DATE _____
 BY _____
 SURVEYED _____
 PLOTTED _____
 TEMPLATE _____
 NOTE BOOK _____
 AREAS CHECKED _____
 NO. _____

DATE _____
 BY _____
 SURVEYED _____
 PLOTTED _____
 TEMPLATE _____
 NOTE BOOK _____
 AREAS CHECKED _____
 NO. _____



DEE-MACK ROAD CROSS SECTIONS

FILE NAME = X:\PROJECTS\2007055906\COOPER ROAD\GN\DEEMACK-COOPER\XS-DEEMACK-SHEETS.DGN

USER NAME = 100T
 DESIGNED -
 DRAWN -
 CHECKED -
 DATE -
 PLOT SCALE = 9.9598" / 1" /
 PLOT DATE = 2/24/2012

REVISED -
 REVISED -
 REVISED -
 REVISED -

STATE OF ILLINOIS
 DEPARTMENT OF TRANSPORTATION

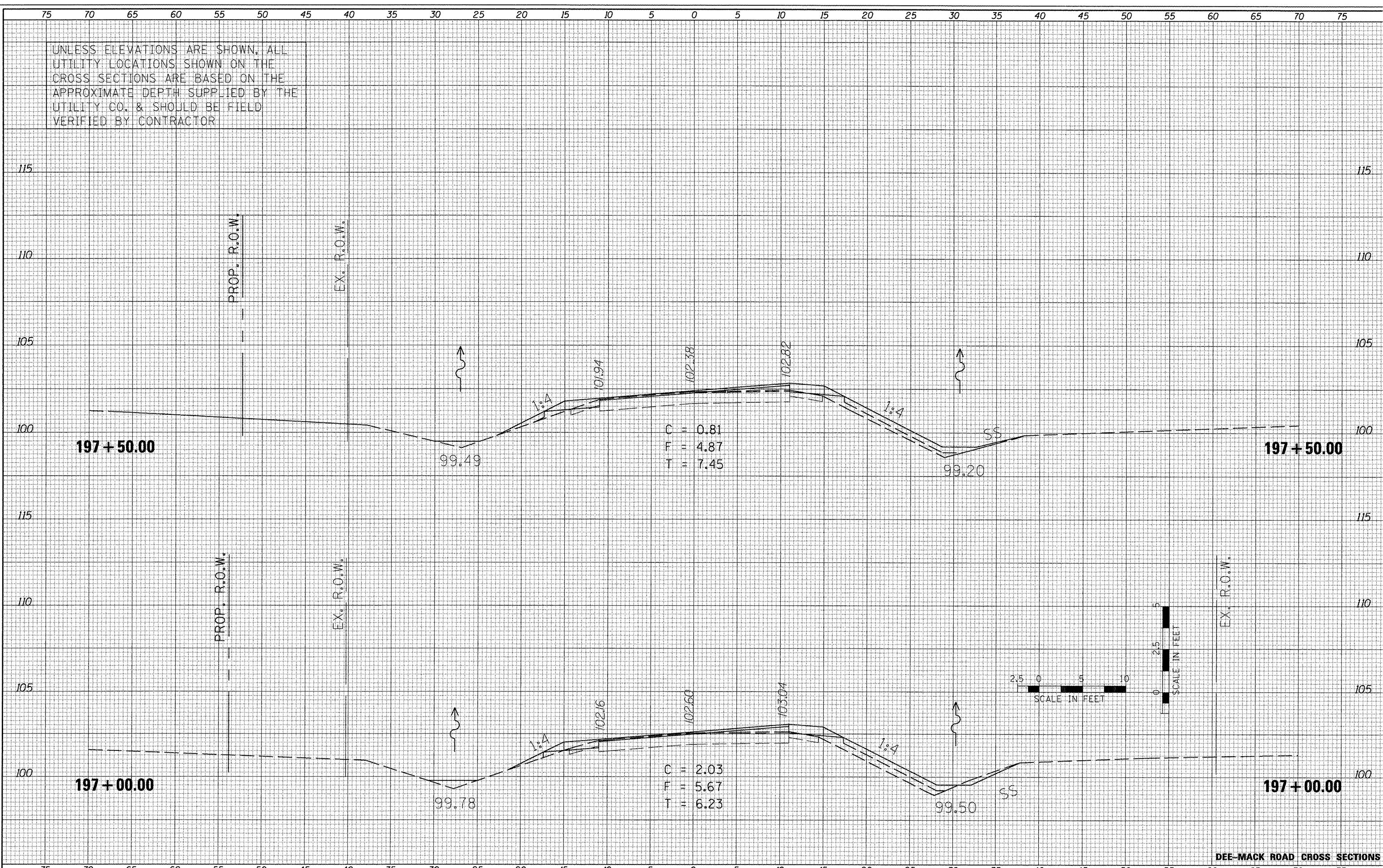
TAZEWELL COUNTY
 DEE-MACK ROAD AND COOPER ROAD
 INTERSECTION IMPROVEMENTS
 SCALE: SHEET NO. OF SHEETS STA. TO STA.

F.A.S. RTE. 470	SECTION 10-00076-00-RS	COUNTY TAZEWELL	TOTAL SHEETS 38	SHEET NO. 21
CONTRACT NO. 89591			ILLINOIS FED. AID PROJECT	

UNLESS ELEVATIONS ARE SHOWN, ALL UTILITY LOCATIONS SHOWN ON THE CROSS SECTIONS ARE BASED ON THE APPROXIMATE DEPTH SUPPLIED BY THE UTILITY CO. & SHOULD BE FIELD VERIFIED BY CONTRACTOR

DATE	
BY	
FINISHED SURVEY	
PLOTTED	
NOTE BOOK	
AREAS CHECKED	

DATE	
BY	
ORIGINAL SURVEY	
PLOTTED	
NOTE BOOK	
AREAS CHECKED	



C = 0.81
F = 4.87
T = 7.45

C = 2.03
F = 5.67
T = 6.23

SCALE IN FEET
0 2.5 5 10

SCALE IN FEET
0 2.5 5

DEE-MACK ROAD CROSS SECTIONS

FILE NAME = X:\PROJECTS\200705506\COOPER ROAD\DN\DEEMACK-COOPER\XS-DEEMACK-SHEETS.DGN

USER NAME = IDDT
DESIGNED -
DRAWN -
CHECKED -
DATE -
PLOT SCALE = 1/8" = 1' / IN.
PLOT DATE = 2/24/2012

REVISOR -
REVISOR -
REVISOR -
REVISOR -

STATE OF ILLINOIS
DEPARTMENT OF TRANSPORTATION

SCALE: SHEET NO. OF SHEETS STA. TO STA.

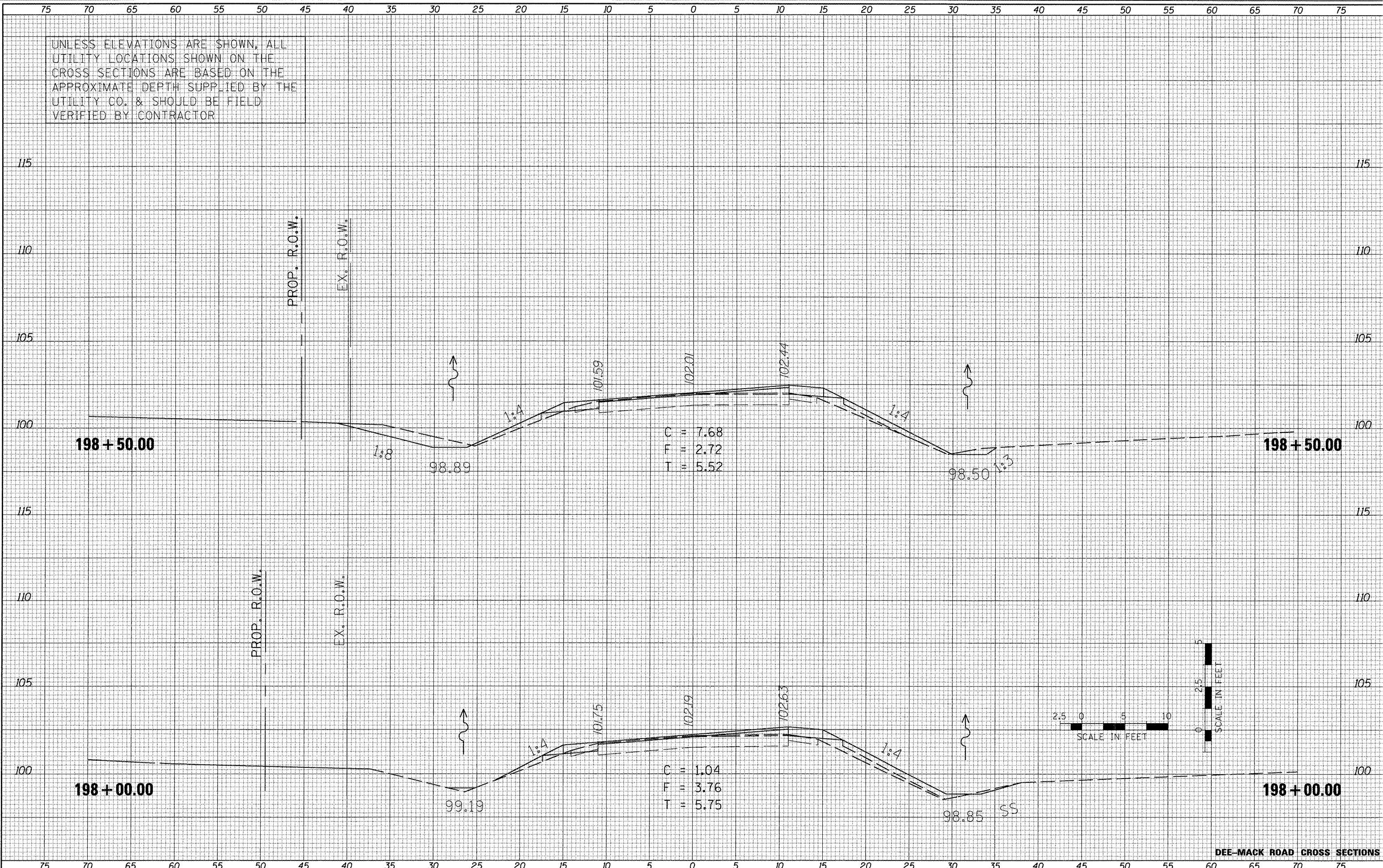
TAZEWELL COUNTY
DEE-MACK ROAD AND COOPER ROAD
INTERSECTION IMPROVEMENTS

F.A.S. RTE.	SECTION	COUNTY	TOTAL SHEETS	SHEET NO.
470	10-00076-00-RS	TAZEWELL	38	22
CONTRACT NO. 89591			ILLINOIS FED. AID PROJECT	

UNLESS ELEVATIONS ARE SHOWN, ALL UTILITY LOCATIONS SHOWN ON THE CROSS SECTIONS ARE BASED ON THE APPROXIMATE DEPTH SUPPLIED BY THE UTILITY CO. & SHOULD BE FIELD VERIFIED BY CONTRACTOR

DATE: _____
 BY: _____
 SURVEYED: _____
 PLOTTED: _____
 FINISH: _____
 SURVEY: _____
 NOTE BOOK: _____
 NO. _____
 AREAS CHECKED: _____

DATE: _____
 BY: _____
 SURVEYED: _____
 PLOTTED: _____
 ORIGINAL: _____
 SURVEY: _____
 NOTE BOOK: _____
 NO. _____
 AREAS CHECKED: _____



FILE NAME = X:\PROJECTS\20070506\COOPER ROAD\DDN\DEEMACK-COOPER\XS-DEEMACK-SHEETS.DGN

USER NAME = IOOT
 PLOT SCALE = 9.9598" / IN.
 PLOT DATE = 2/24/2012

DESIGNED -	REVISED -
DRAWN -	REVISED -
CHECKED -	REVISED -
DATE -	REVISED -

STATE OF ILLINOIS
 DEPARTMENT OF TRANSPORTATION

TAZEWELL COUNTY
 DEE-MACK ROAD AND COOPER ROAD
 INTERSECTION IMPROVEMENTS

SCALE: SHEET NO. OF SHEETS STA. TO STA.

F.A.S. RTE. 470	SECTION 10-00076-00-RS	COUNTY TAZEWELL	TOTAL SHEETS 38	SHEET NO. 23
CONTRACT NO. 89591			ILLINOIS FED. AID PROJECT	

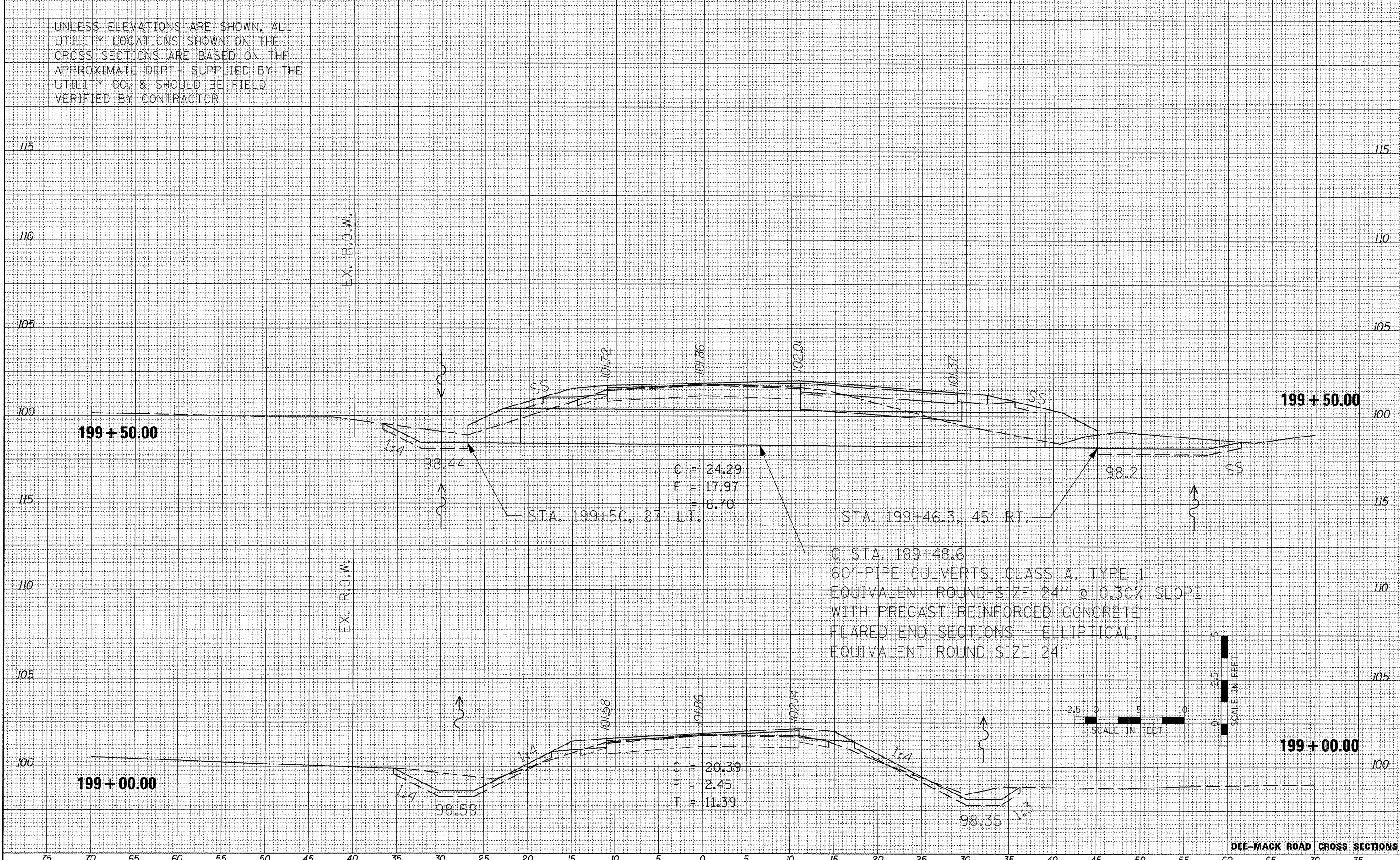
DEE-MACK ROAD CROSS SECTIONS

75 70 65 60 55 50 45 40 35 30 25 20 15 10 5 0 5 10 15 20 25 30 35 40 45 50 55 60 65 70 75

UNLESS ELEVATIONS ARE SHOWN, ALL UTILITY LOCATIONS SHOWN ON THE CROSS SECTIONS ARE BASED ON THE APPROXIMATE DEPTH SUPPLIED BY THE UTILITY CO. & SHOULD BE FIELD VERIFIED BY CONTRACTOR

DATE	
BY	
DESIGNED	
DRAWN	
CHECKED	
DATE	

DATE	
BY	
DESIGNED	
DRAWN	
CHECKED	
DATE	



C = 24.29
F = 17.97
T = 8.70

60'-PIPE CULVERTS, CLASS A, TYPE 1
EQUIVALENT ROUND-SIZE 24" @ 0.30% SLOPE
WITH PRECAST REINFORCED CONCRETE
FLARED END SECTIONS - ELLIPTICAL,
EQUIVALENT ROUND-SIZE 24"



DEE-MACK ROAD CROSS SECTIONS

FILE NAME = X:\PROJECTS\200705506\COOPER ROAD\DN\DEEMACK-COOPER\XS-DEEMACK-SHEETS.DGN

USER NAME = IDOT
PLOT SCALE = 9/8" = 1' / IN.
PLOT DATE = 2/24/2012

DESIGNED	-	REVISED	-
DRAWN	-	REVISED	-
CHECKED	-	REVISED	-
DATE	-	REVISED	-

STATE OF ILLINOIS
DEPARTMENT OF TRANSPORTATION

TAZEWELL COUNTY
DEE-MACK ROAD AND COOPER ROAD
INTERSECTION IMPROVEMENTS

F.A.S. RTE	SECTION	COUNTY	TOTAL SHEETS	SHEET NO.
470	10-00076-00-RS	TAZEWELL	38	24
CONTRACT NO. 89591			ILLINOIS FED. AID PROJECT	

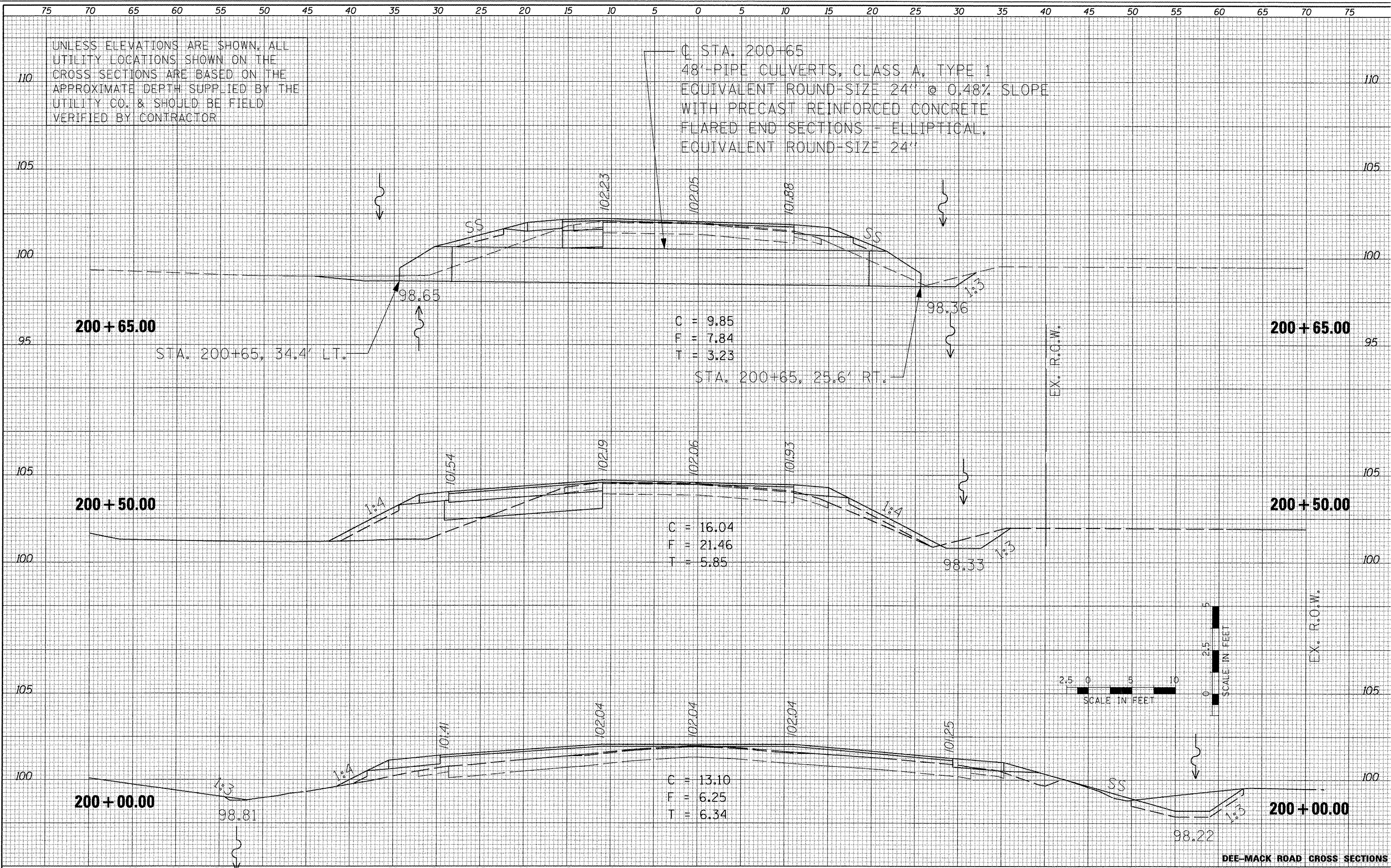
SCALE: SHEET NO. OF SHEETS STA. TO STA.

UNLESS ELEVATIONS ARE SHOWN, ALL UTILITY LOCATIONS SHOWN ON THE CROSS SECTIONS ARE BASED ON THE APPROXIMATE DEPTH SUPPLIED BY THE UTILITY CO. & SHOULD BE FIELD VERIFIED BY CONTRACTOR

C STA. 200+65
 48" PIPE CULVERTS, CLASS A, TYPE 1
 EQUIVALENT ROUND-SIZE 24" @ 0.48% SLOPE
 WITH PRECAST REINFORCED CONCRETE
 FLARED END SECTIONS - ELLIPTICAL,
 EQUIVALENT ROUND-SIZE 24"

DATE	
BY	
FINAL SURVEY	
SURVEYED	
PLOTTED	
TEMPLATE	
NOTE BOOK	
AREAS CHECKED	
NO.	

DATE	
BY	
ORIGINAL SURVEY	
SURVEYED	
PLOTTED	
TEMPLATE	
NOTE BOOK	
AREAS CHECKED	
NO.	



FILE NAME = X:\PROJECTS\200705506\COOPER ROAD\DOGN\DEEMACK-COOPER\XS-DEEMACK-SHEETS.DGN
 USER NAME = IDOT
 PLOT SCALE = 9.9898" / IN.
 PLOT DATE = 2/24/2012

DESIGNED -	REVISD -
DRAWN -	REVISD -
CHECKED -	REVISD -
DATE -	REVISD -

STATE OF ILLINOIS
 DEPARTMENT OF TRANSPORTATION

TAZEWELL COUNTY
 DEE-MACK ROAD AND COOPER ROAD
 INTERSECTION IMPROVEMENTS
 SCALE: SHEET NO. OF SHEETS STA. TO STA.

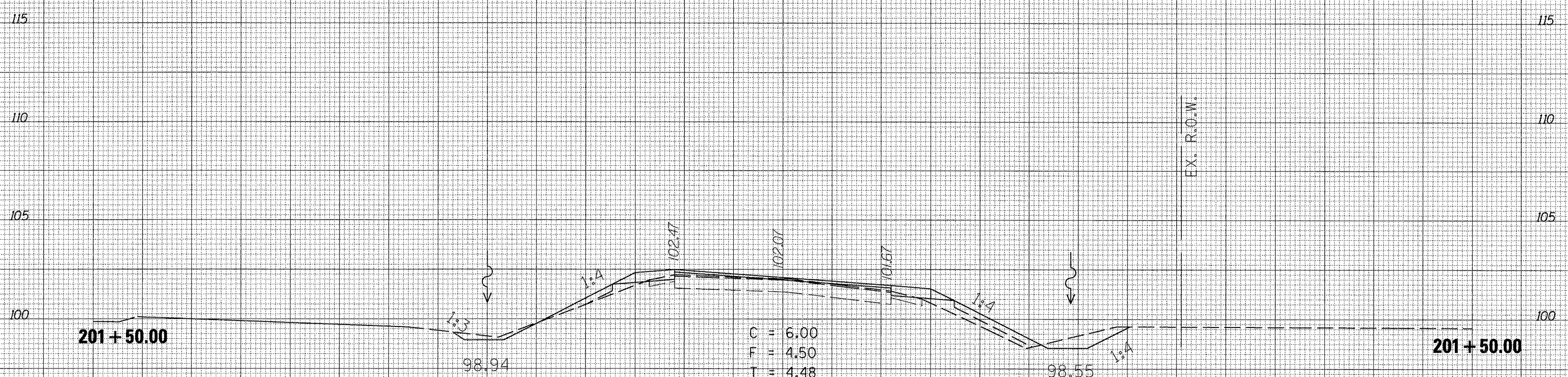
F.A.S. RTE.	SECTION	COUNTY	TOTAL SHEETS	SHEET NO.
470	10-00076-00-RS	TAZEWELL	38	25
CONTRACT NO. 89591			ILLINOIS FED. AID PROJECT	

DEE-MACK ROAD CROSS SECTIONS

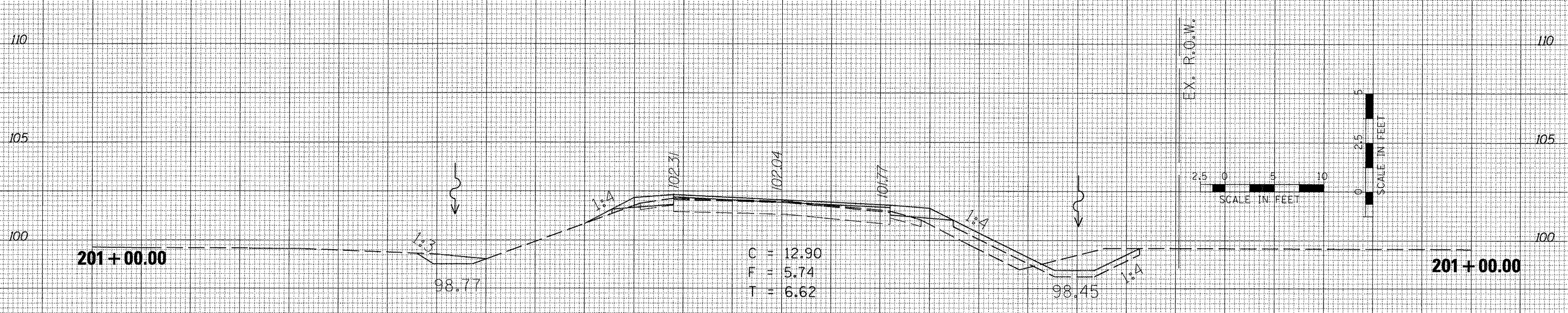
75 70 65 60 55 50 45 40 35 30 25 20 15 10 5 0 5 10 15 20 25 30 35 40 45 50 55 60 65 70 75

UNLESS ELEVATIONS ARE SHOWN, ALL UTILITY LOCATIONS SHOWN ON THE CROSS SECTIONS ARE BASED ON THE APPROXIMATE DEPTH SUPPLIED BY THE UTILITY CO. & SHOULD BE FIELD VERIFIED BY CONTRACTOR

DATE	
BY	
FINAL SURVEY	
SURVEYED	
PLOTTED	
TEMPLATE	
NOTE BOOK	
AREAS CHECKED	
NO.	



DATE	
BY	
ORIGINAL SURVEY	
SURVEYED	
PLOTTED	
TEMPLATE	
NOTE BOOK	
AREAS CHECKED	
NO.	



DEE-MACK ROAD CROSS SECTIONS

FILE NAME = X:\PROJECTS\200705506\COOPER ROAD\DDN\DEEMACK-COOPER\XS-DEEMACK-SHEETS.DGN

USER NAME = IDOT
 PLOT SCALE = 9.9598" / IN.
 PLOT DATE = 2/24/2012

DESIGNED -	REVISED -
DRAWN -	REVISED -
CHECKED -	REVISED -
DATE -	REVISED -

STATE OF ILLINOIS
 DEPARTMENT OF TRANSPORTATION

TAZEWELL COUNTY			
DEE-MACK ROAD AND COOPER ROAD INTERSECTION IMPROVEMENTS			
SCALE:	SHEET NO.	OF SHEETS	STA. TO STA.

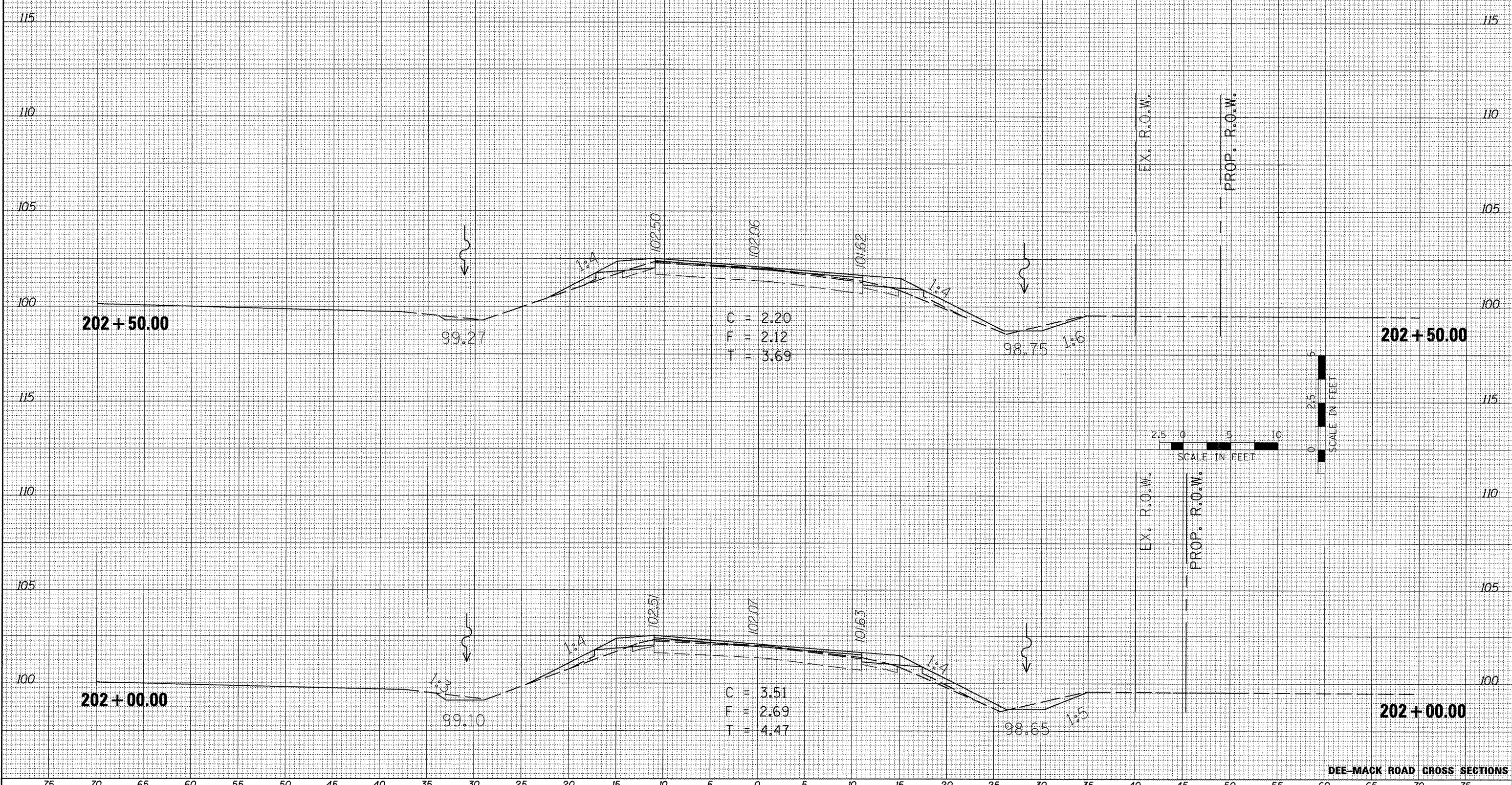
F.A.S. RTE.	SECTION	COUNTY	TOTAL SHEETS	SHEET NO.
470	10-00076-00-RS	TAZEWELL	38	26
				CONTRACT NO. 89591
ILLINOIS FED. AID PROJECT				

75 70 65 60 55 50 45 40 35 30 25 20 15 10 5 0 5 10 15 20 25 30 35 40 45 50 55 60 65 70 75

UNLESS ELEVATIONS ARE SHOWN, ALL UTILITY LOCATIONS SHOWN ON THE CROSS SECTIONS ARE BASED ON THE APPROXIMATE DEPTH SUPPLIED BY THE UTILITY CO. & SHOULD BE FIELD VERIFIED BY CONTRACTOR

DATE	
BY	
FINAL SURVEY	
SURVEYED	
PLOTTED	
TEMPLATE	
NOTE BOOK	
AREAS CHECKED	
NO.	

DATE	
BY	
ORIGINAL SURVEY	
SURVEYED	
PLOTTED	
TEMPLATE	
NOTE BOOK	
AREAS CHECKED	
NO.	



DEE-MACK ROAD CROSS SECTIONS

FILE NAME : X:\PROJECTS\200705508\COOPER ROAD\OGN\DEEMACK-COOPER\XS-DEEMACK-SHEETS.DGN

USER NAME : 1001	DESIGNED -	REVISED -
PLOT SCALE : 9.9598" / IN.	DRAWN -	REVISED -
PLOT DATE : 2/24/2012	CHECKED -	REVISED -
	DATE -	REVISED -

STATE OF ILLINOIS
DEPARTMENT OF TRANSPORTATION

TAZEWELL COUNTY			
DEE-MACK ROAD AND COOPER ROAD INTERSECTION IMPROVEMENTS			
SCALE:	SHEET NO.	OF SHEETS	STA. TO STA.

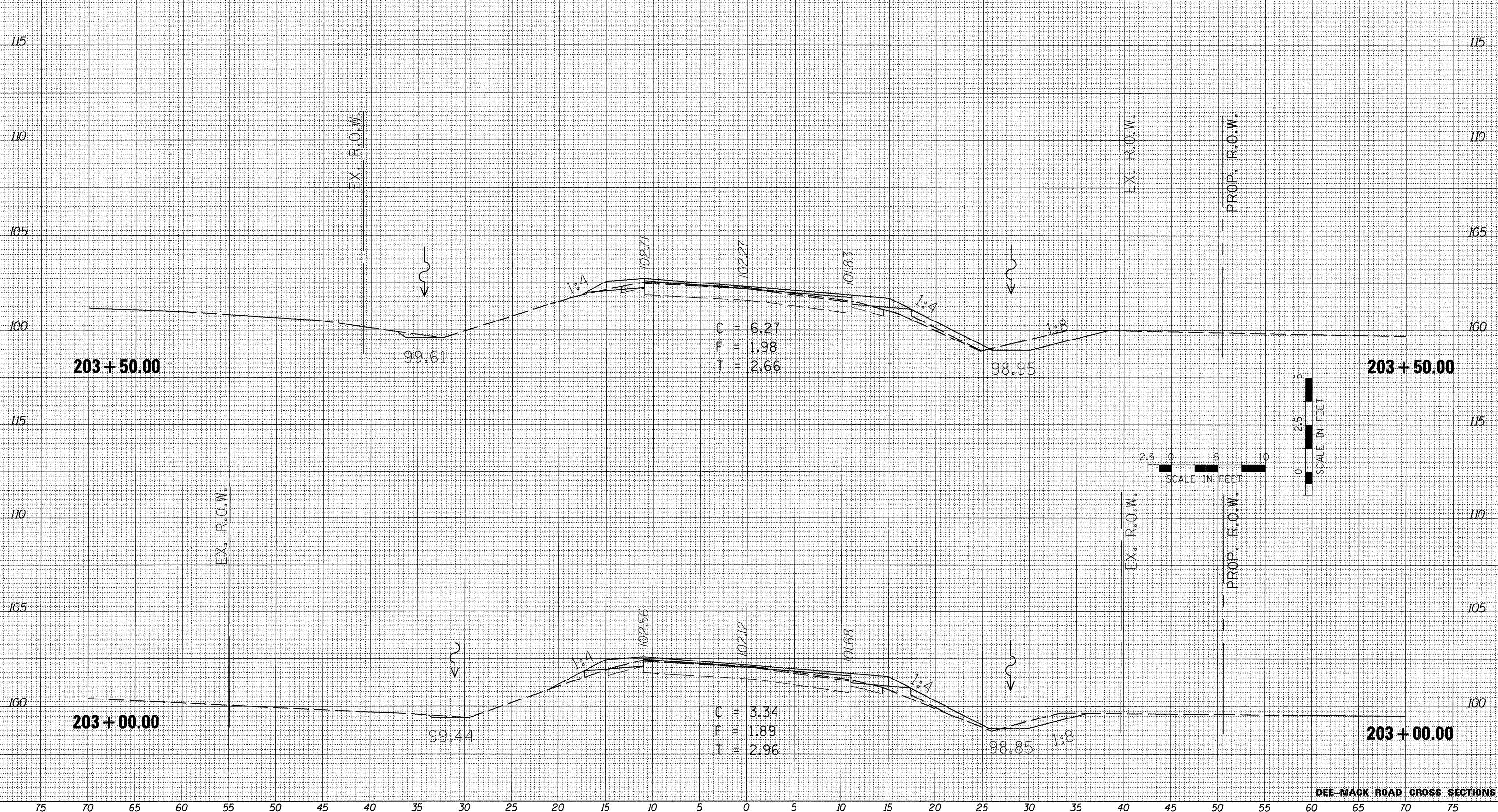
F.A.S. RTE. 470	SECTION 10-00076-00-RS	COUNTY TAZEWELL	TOTAL SHEETS 38	SHEET NO. 27
CONTRACT NO. 89591				
ILLINOIS FED. AID PROJECT				

75 70 65 60 55 50 45 40 35 30 25 20 15 10 5 0 5 10 15 20 25 30 35 40 45 50 55 60 65 70 75

UNLESS ELEVATIONS ARE SHOWN, ALL UTILITY LOCATIONS SHOWN ON THE CROSS SECTIONS ARE BASED ON THE APPROXIMATE DEPTH SUPPLIED BY THE UTILITY CO. & SHOULD BE FIELD VERIFIED BY CONTRACTOR

DATE	
BY	
FINAL SURVEY	
SURVEYED	
PLOTTED	
TEMPLATE	
NOTE BOOK	
AREAS CHECKED	
NO.	

DATE	
BY	
ORIGINAL SURVEY	
SURVEYED	
PLOTTED	
TEMPLATE	
NOTE BOOK	
AREAS CHECKED	
NO.	



FILE NAME = X:\PROJECTS\200705506\COOPER ROAD\DCM\DEEMACK-COOPER\XS-DEEMACK-SHEETS.DGN
 PLOT SCALE = 9.9598" / 1IN.
 PLOT DATE = 2/24/2012

USER NAME = IDOT	DESIGNED -	REVISED -
	DRAWN -	REVISED -
	CHECKED -	REVISED -
	DATE -	REVISED -

STATE OF ILLINOIS
 DEPARTMENT OF TRANSPORTATION

TAZEWELL COUNTY			
DEE-MACK ROAD AND COOPER ROAD INTERSECTION IMPROVEMENTS			
SCALE:	SHEET NO.	OF SHEETS	STA. TO STA.

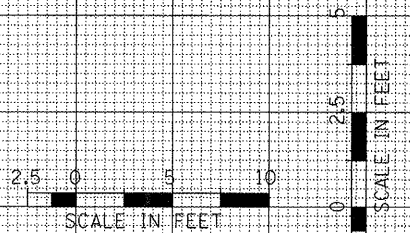
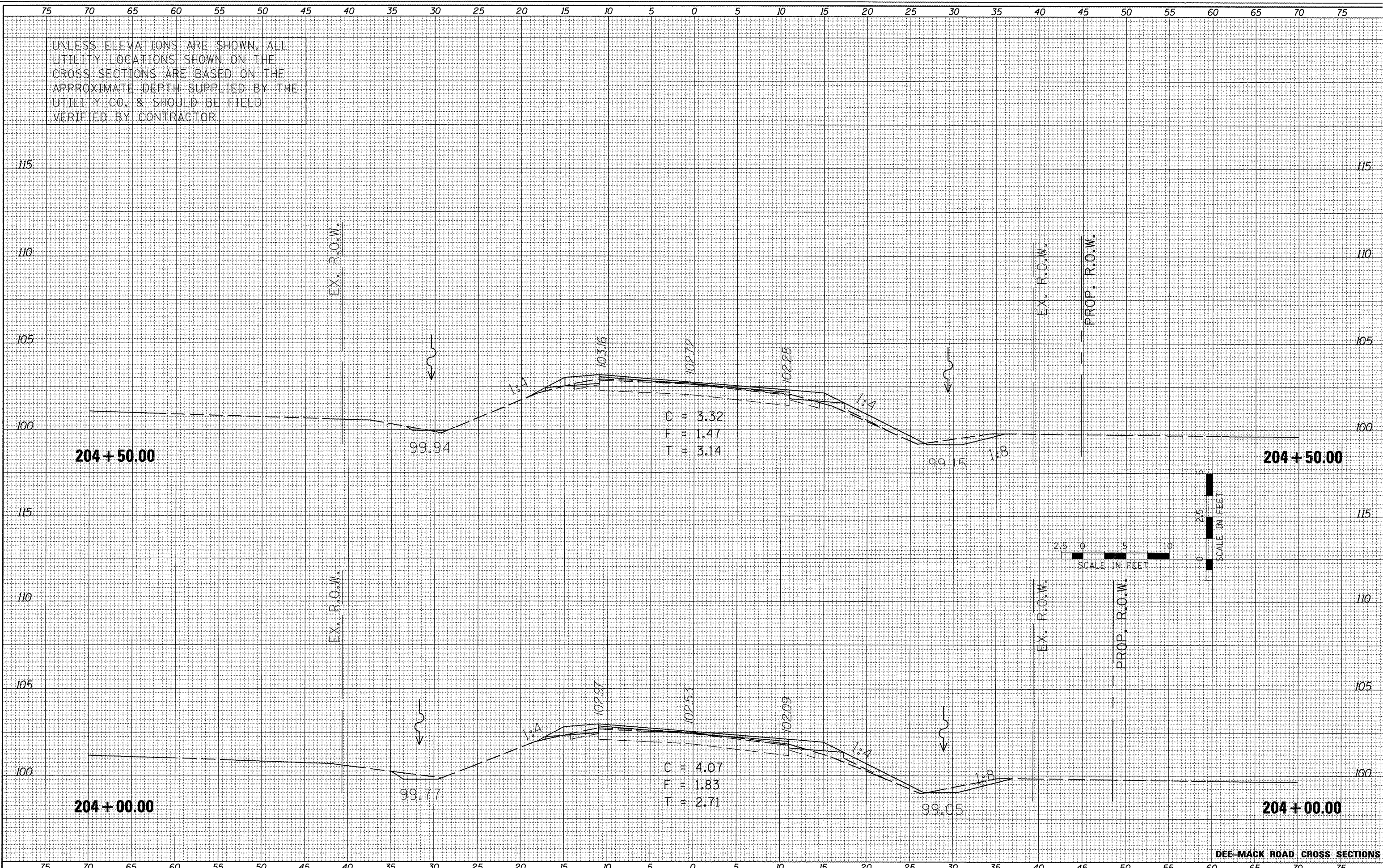
F.A.S. RTE. 470	SECTION 10-00076-00-RS	COUNTY TAZEWELL	TOTAL SHEETS 38	SHEET NO. 28
CONTRACT NO. 89591				
ILLINOIS FED. AID PROJECT				

DEE-MACK ROAD CROSS SECTIONS

UNLESS ELEVATIONS ARE SHOWN, ALL UTILITY LOCATIONS SHOWN ON THE CROSS SECTIONS ARE BASED ON THE APPROXIMATE DEPTH SUPPLIED BY THE UTILITY CO. & SHOULD BE FIELD VERIFIED BY CONTRACTOR

DATE	
BY	
FINAL SURVEY	
PLOTTED	
NOTE BOOK	
NO.	
AREAS CHECKED	

DATE	
BY	
ORIGINAL SURVEY	
PLOTTED	
NOTE BOOK	
NO.	
AREAS CHECKED	



DEE-MACK ROAD CROSS SECTIONS

FILE NAME = X:\PROJECTS\200705506\COOPER ROAD\00N\DEEMACK-COOPER\XS-DEEMACK-SHEETS.DGN

USER NAME =	100T
DESIGNED -	REVISD -
DRAWN -	REVISD -
CHECKED -	REVISD -
DATE -	REVISD -
PLOT SCALE =	9.9596" / IN.
PLOT DATE =	2/24/2012

STATE OF ILLINOIS
DEPARTMENT OF TRANSPORTATION

TAZEWELL COUNTY
DEE-MACK ROAD AND COOPER ROAD
INTERSECTION IMPROVEMENTS

SCALE: SHEET NO. OF SHEETS STA. TO STA.

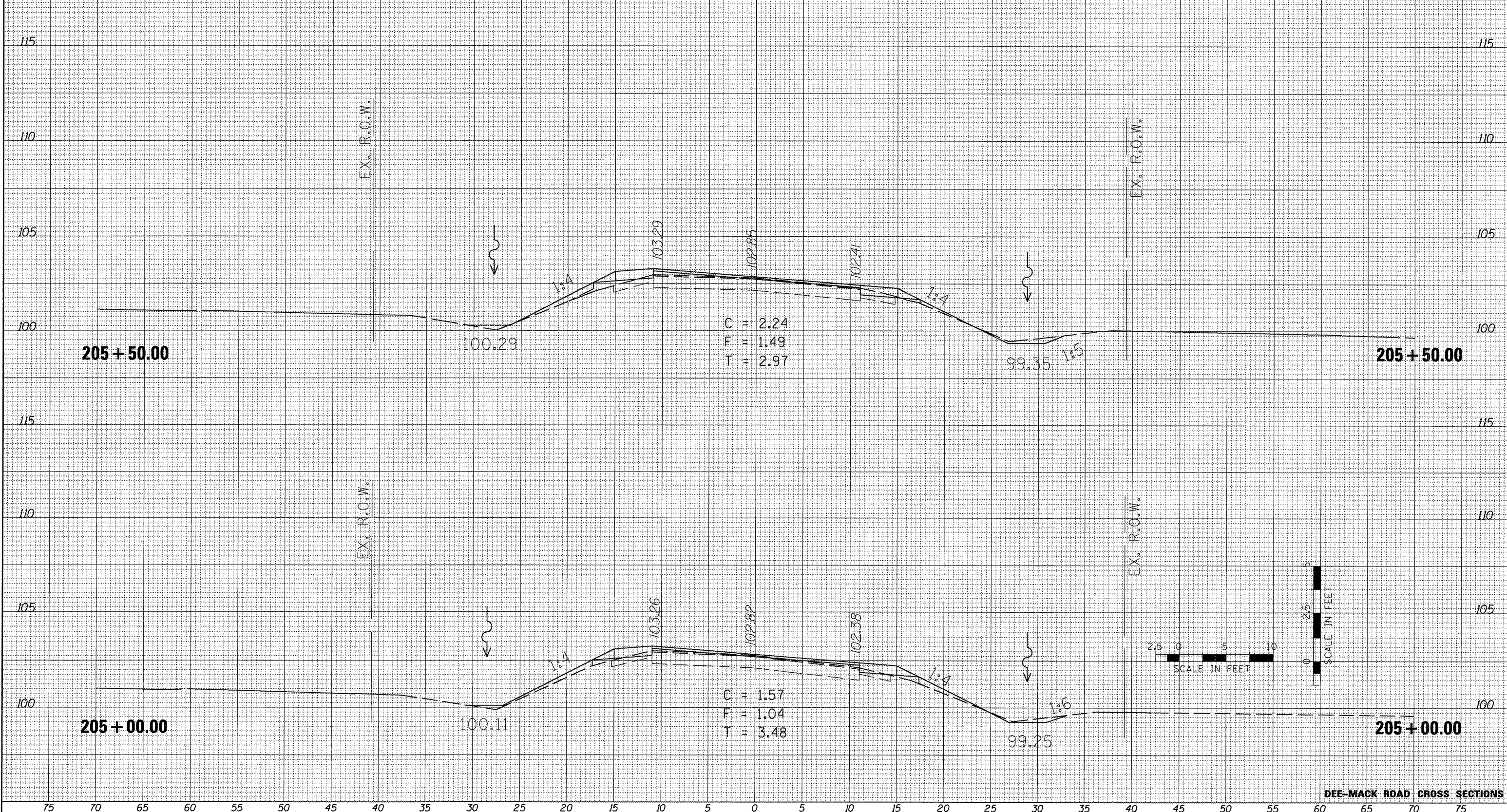
F.A.S. RTE.	SECTION	COUNTY	TOTAL SHEETS	SHEET NO.
470	10-00076-00-RS	TAZEWELL	38	29
CONTRACT NO.			89591	
ILLINOIS FED. AID PROJECT				

75 70 65 60 55 50 45 40 35 30 25 20 15 10 5 0 5 10 15 20 25 30 35 40 45 50 55 60 65 70 75

UNLESS ELEVATIONS ARE SHOWN, ALL UTILITY LOCATIONS SHOWN ON THE CROSS SECTIONS ARE BASED ON THE APPROXIMATE DEPTH SUPPLIED BY THE UTILITY CO. & SHOULD BE FIELD VERIFIED BY CONTRACTOR

BY	DATE
FINAL SURVEY	SURVEYED
NOTE BOOK NO.	PLOTTED
	TEMPLATE
	AREAS CHECKED

BY	DATE
ORIGINAL SURVEY	SURVEYED
NOTE BOOK NO.	PLOTTED
	TEMPLATE
	AREAS CHECKED



FILE NAME = X:\PROJECTS\200705506\COOPER ROAD\DN\DEEMACK-COOPER\XS-DEEMACK-SHEETS.DGN

USER NAME = 100T
 PLOT SCALE = 9.9998' / 1/4"
 PLOT DATE = 2/24/2012

DESIGNED -	REVISED -
DRAWN -	REVISED -
CHECKED -	REVISED -
DATE -	REVISED -

STATE OF ILLINOIS
 DEPARTMENT OF TRANSPORTATION

TAZEWELL COUNTY
 DEE-MACK ROAD AND COOPER ROAD
 INTERSECTION IMPROVEMENTS

SCALE: SHEET NO. OF SHEETS STA. TO STA.

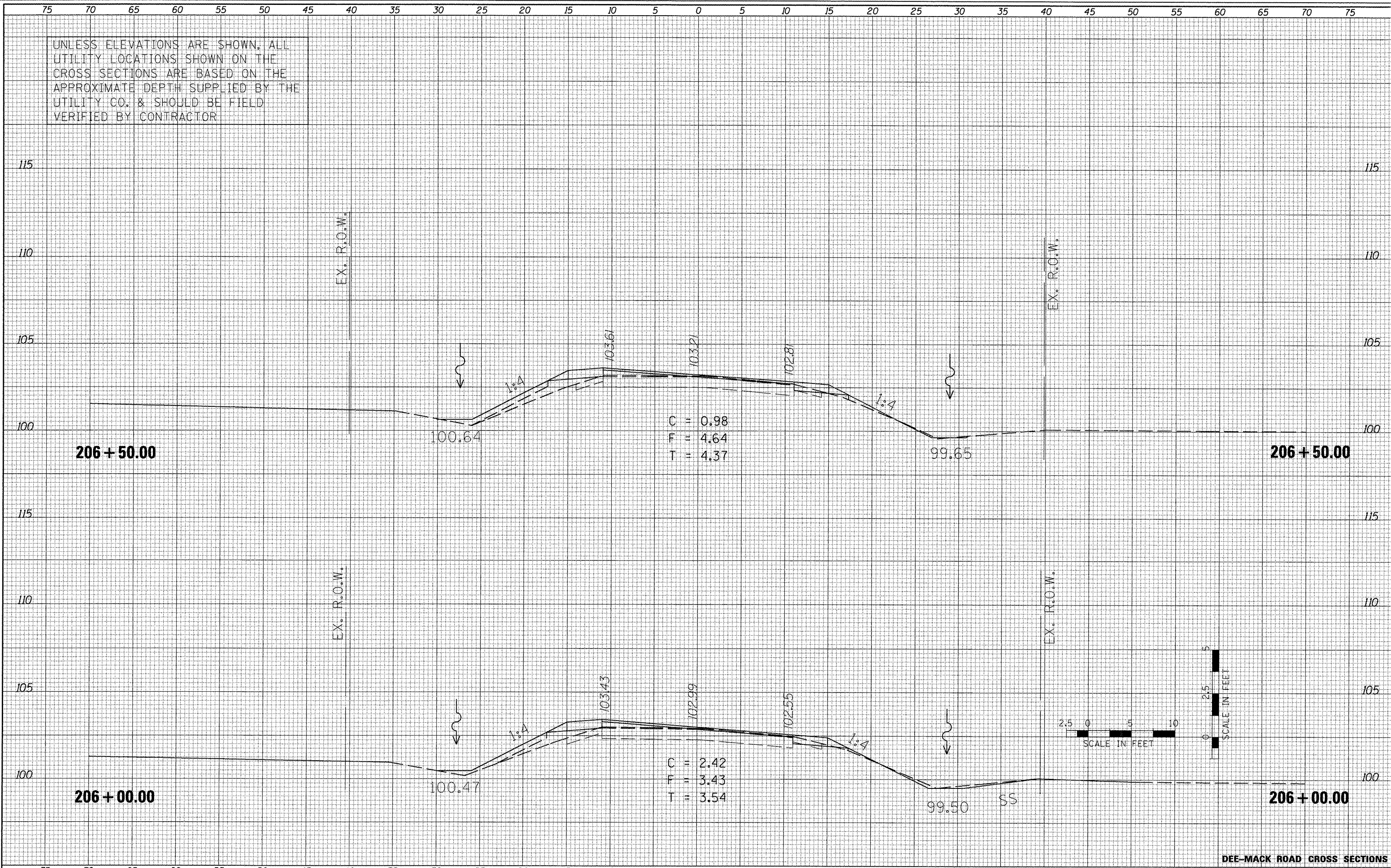
F.A.S. RTE. 470	SECTION 10-00076-00-RS	COUNTY TAZEWELL	TOTAL SHEETS 38	SHEET NO. 30
CONTRACT NO. 89591			ILLINOIS FED. AID PROJECT	

DEE-MACK ROAD CROSS SECTIONS

UNLESS ELEVATIONS ARE SHOWN, ALL UTILITY LOCATIONS SHOWN ON THE CROSS SECTIONS ARE BASED ON THE APPROXIMATE DEPTH SUPPLIED BY THE UTILITY CO. & SHOULD BE FIELD VERIFIED BY CONTRACTOR.

DATE	
BY	
FINAL SURVEY	
NOTE BOOK	
NO.	
AREAS CHECKED	

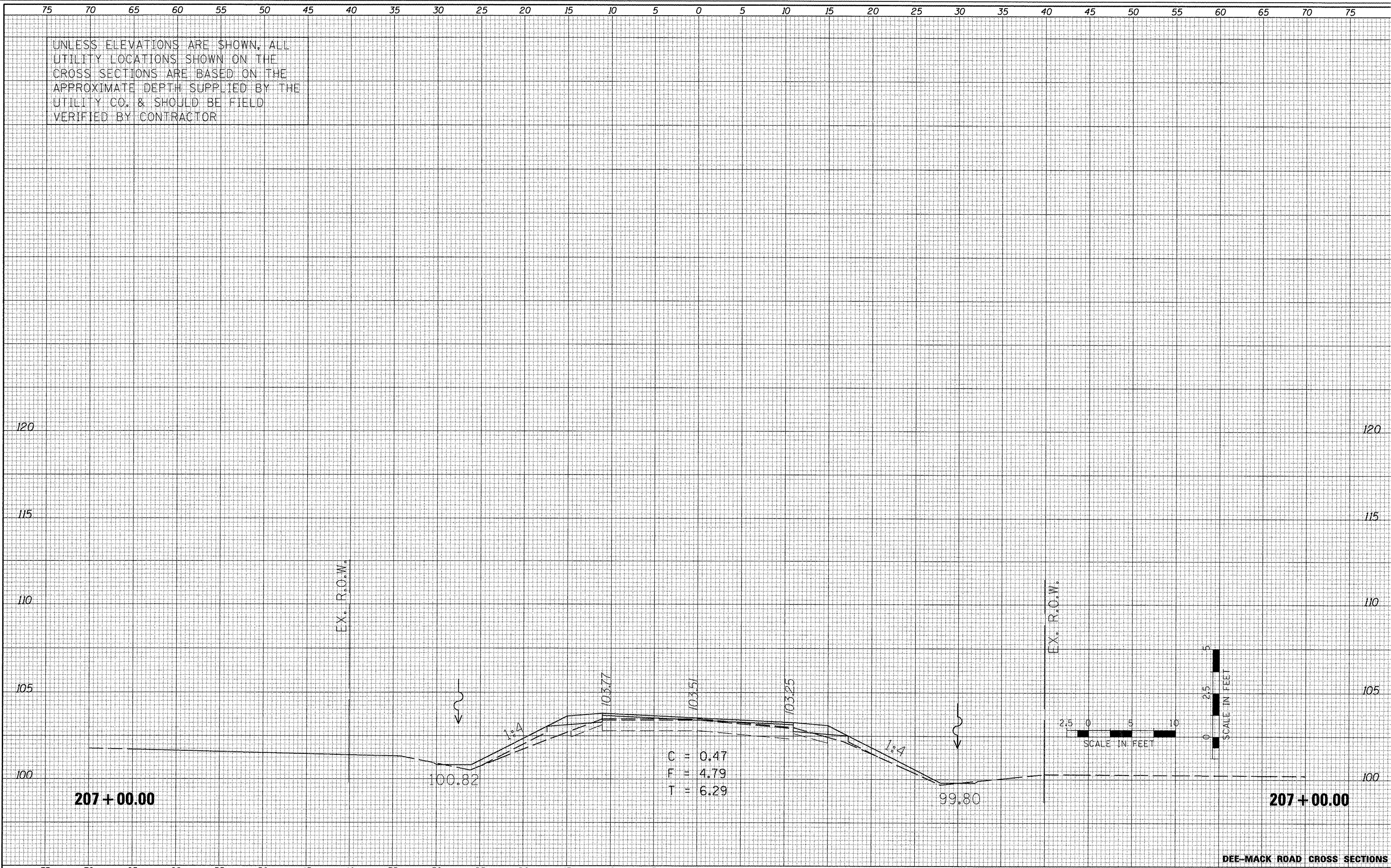
DATE	
BY	
ORIGINAL SURVEY	
NOTE BOOK	
NO.	
AREAS CHECKED	



UNLESS ELEVATIONS ARE SHOWN, ALL UTILITY LOCATIONS SHOWN ON THE CROSS SECTIONS ARE BASED ON THE APPROXIMATE DEPTH SUPPLIED BY THE UTILITY CO. & SHOULD BE FIELD VERIFIED BY CONTRACTOR

DATE	
BY	
FINAL SURVEY	
NOTE BOOK	
NO.	
TEMPLATES	
AREAS	
CHECKED	

DATE	
BY	
ORIGINAL SURVEY	
NOTE BOOK	
NO.	
TEMPLATES	
AREAS	
CHECKED	



DEE-MACK ROAD CROSS SECTIONS

FILE NAME = X:\PROJECTS\200705506\COOPER ROAD\DN\DEEMACK-COOPER\XS-DEEMACK-SHEETS.DGN

USER NAME = IDOT
 PLOT SCALE = 9.9598" / IN.
 PLOT DATE = 2/24/2012

DESIGNED -
 DRAWN -
 CHECKED -
 DATE -

REVISED -
 REVISED -
 REVISED -
 REVISED -

STATE OF ILLINOIS
 DEPARTMENT OF TRANSPORTATION

TAZEWELL COUNTY
 DEE-MACK ROAD AND COOPER ROAD
 INTERSECTION IMPROVEMENTS

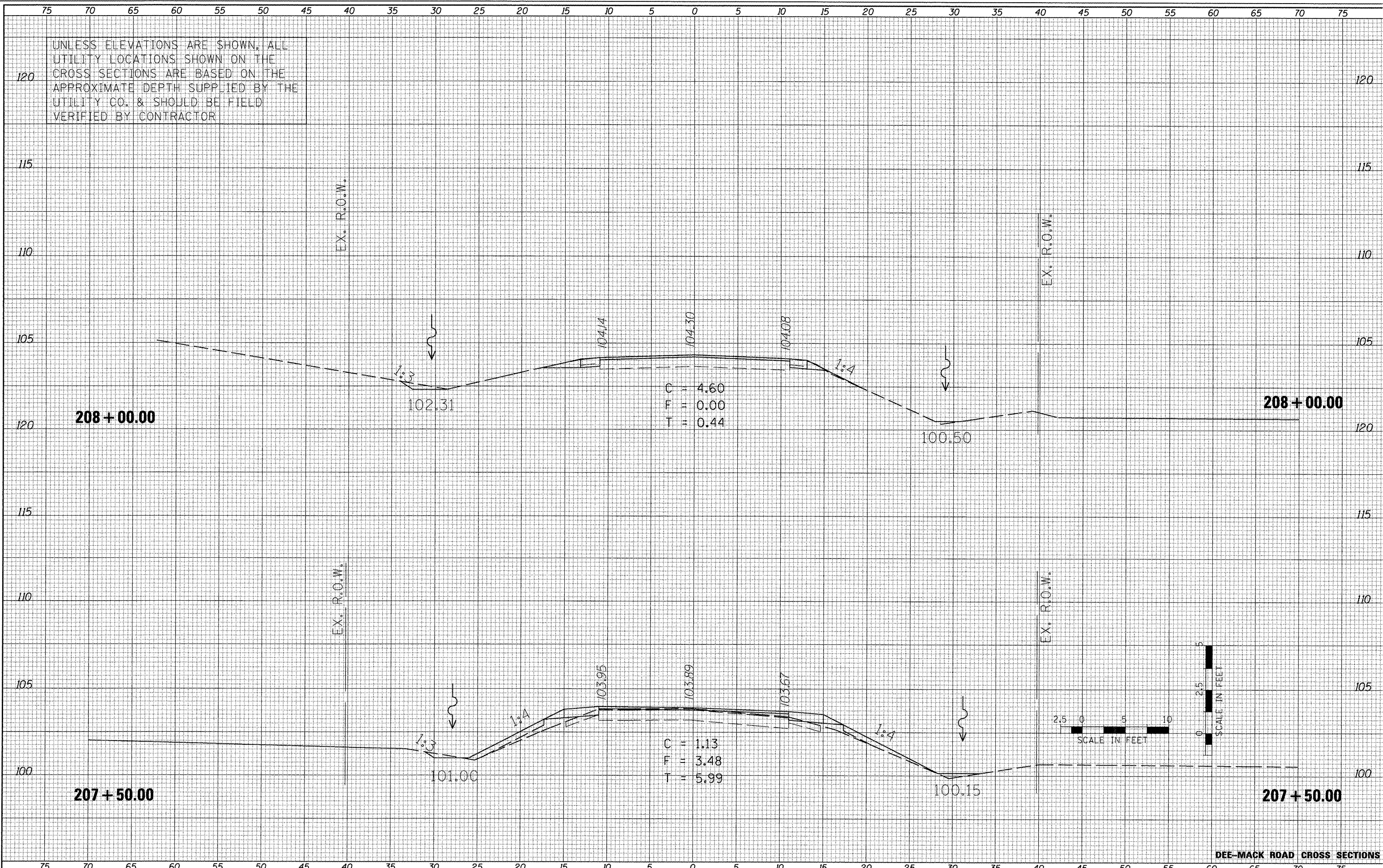
SCALE: SHEET NO. OF SHEETS STA. TO STA.

F.A.S. RTE.	SECTION	COUNTY	TOTAL SHEETS	SHEET NO.
470	10-00076-00-RS	TAZEWELL	38	32
CONTRACT NO. 89591			ILLINOIS FED. AID PROJECT	

UNLESS ELEVATIONS ARE SHOWN, ALL UTILITY LOCATIONS SHOWN ON THE CROSS SECTIONS ARE BASED ON THE APPROXIMATE DEPTH SUPPLIED BY THE UTILITY CO. & SHOULD BE FIELD VERIFIED BY CONTRACTOR

DATE	
BY	
FINAL SURVEY	
NOTED	
NO. BOOK	
NO.	
AREAS CHECKED	

DATE	
BY	
ORIGINAL SURVEY	
NOTED	
NO. BOOK	
NO.	
AREAS CHECKED	

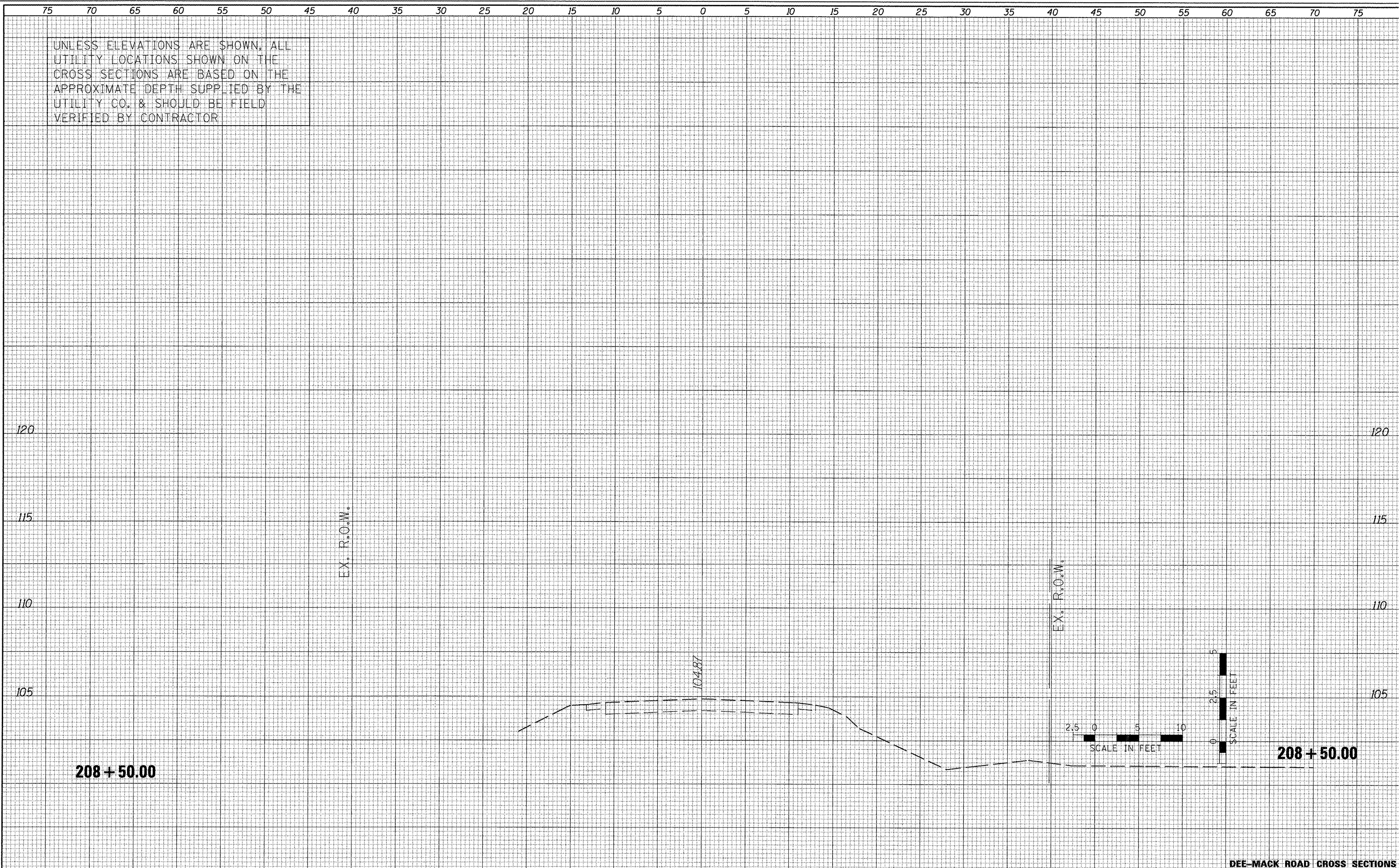


FILE NAME = X:\PROJECTS\200705506\COOPER ROAD\DN\DEEMACK-COOPER\XS-DEEMACK-SHEETS.DGN	USER NAME = 100T	DESIGNED -	REVISED -	<p align="center">STATE OF ILLINOIS DEPARTMENT OF TRANSPORTATION</p> <p align="center">TAZEWELL COUNTY DEE-MACK ROAD AND COOPER ROAD INTERSECTION IMPROVEMENTS</p>	F.A.S. RTE. 470	SECTION 10-00076-00-R5	COUNTY TAZEWELL	TOTAL SHEETS 38	SHEET NO. 33
	PLOT SCALE = 3/8" = 1' / IN.	DRAWN -	REVISED -		SCALE:			CONTRACT NO. 89591	
	PLOT DATE = 2/24/2012	CHECKED -	REVISED -		SHEET NO. OF SHEETS	STA. TO STA.			
		DATE -	REVISED -					ILLINOIS FED. AID PROJECT	

UNLESS ELEVATIONS ARE SHOWN, ALL UTILITY LOCATIONS SHOWN ON THE CROSS SECTIONS ARE BASED ON THE APPROXIMATE DEPTH SUPPLIED BY THE UTILITY CO. & SHOULD BE FIELD VERIFIED BY CONTRACTOR

DATE	
BY	
FINAL SURVEY	
NOTE BOOK NO.	
SURVEYED	
PLOTTED	
TEMPLATE	
AREAS CHECKED	

DATE	
BY	
ORIGINAL SURVEY	
NOTE BOOK NO.	
SURVEYED	
PLOTTED	
TEMPLATE	
AREAS CHECKED	



DEE-MACK ROAD CROSS SECTIONS

FILE NAME - X:\PROJECTS\20070505\COOPER ROAD\00N\DEEMACK-COOPER\XS-DEEMACK-SHEETS.DGN

USER NAME = IDOT
 PLOT SCALE = 9.9598 ' / IN.
 PLOT DATE = 2/24/2012

DESIGNED -
 DRAWN -
 CHECKED -
 DATE -

REVISED -
 REVISED -
 REVISED -
 REVISED -

STATE OF ILLINOIS
 DEPARTMENT OF TRANSPORTATION

TAZEWELL COUNTY
 DEE-MACK ROAD AND COOPER ROAD
 INTERSECTION IMPROVEMENTS

SCALE: SHEET NO. OF SHEETS STA. TO STA.

F.A.S. RTE.	SECTION	COUNTY	TOTAL SHEETS	SHEET NO.
470	10-00076-00-RS	TAZEWELL	38	34
CONTRACT NO. 89591			ILLINOIS FED. AID PROJECT	

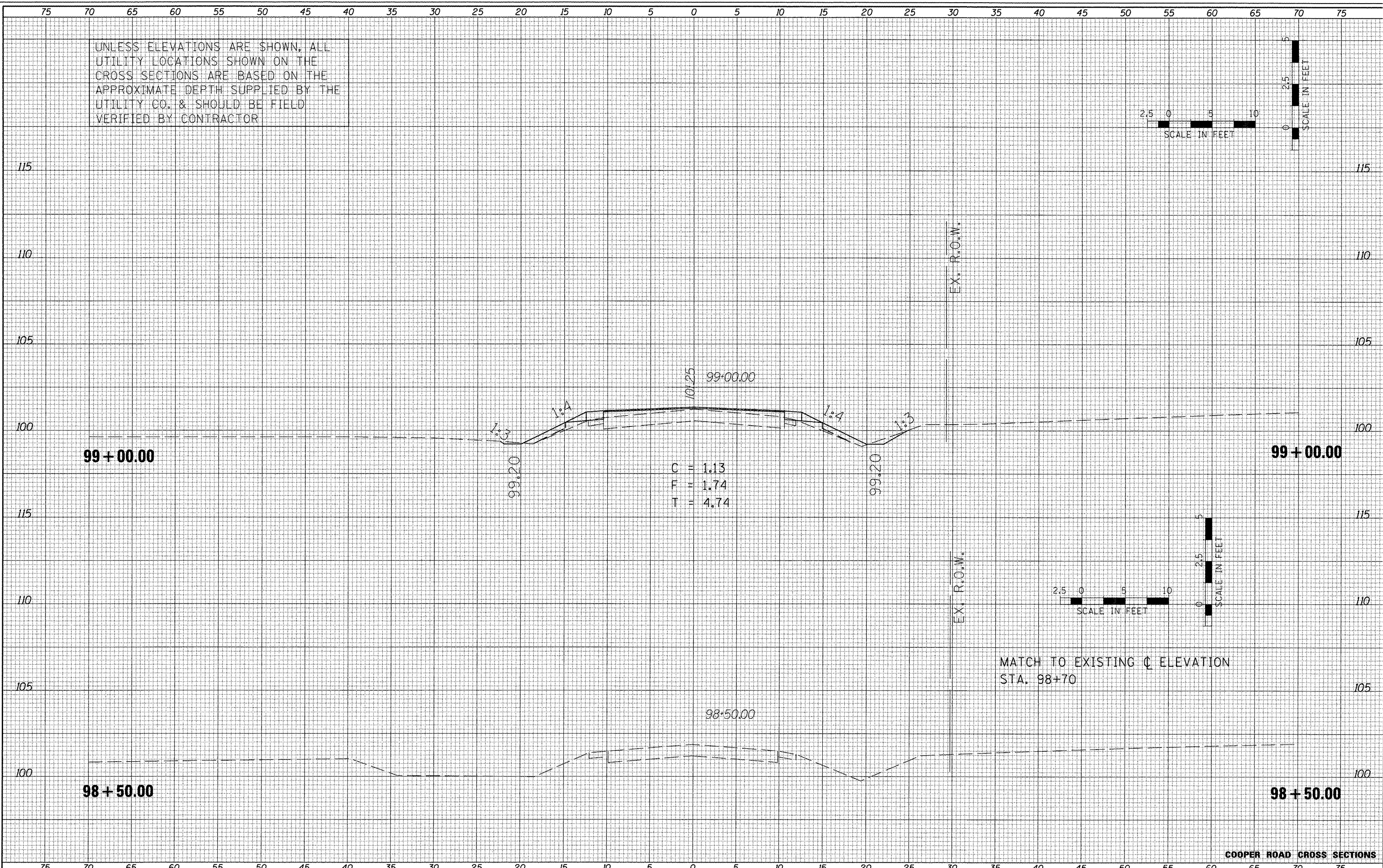
UNLESS ELEVATIONS ARE SHOWN, ALL UTILITY LOCATIONS SHOWN ON THE CROSS SECTIONS ARE BASED ON THE APPROXIMATE DEPTH SUPPLIED BY THE UTILITY CO. & SHOULD BE FIELD VERIFIED BY CONTRACTOR



SCALE IN FEET

DATE	
BY	
FINAL SURVEY	
NOTE BOOK NO.	
SURVEYED	
PLOTTED	
TEMPLATE	
AREAS CHECKED	

DATE	
BY	
ORIGINAL SURVEY	
NOTE BOOK NO.	
SURVEYED	
PLOTTED	
TEMPLATE	
AREAS CHECKED	



C = 1.13
F = 1.74
T = 4.74

MATCH TO EXISTING ϕ ELEVATION STA. 98+70

COOPER ROAD CROSS SECTIONS

FILE NAME = X:\PROJECTS\2007705506\DCN\DEEMACK-COOPER\PLANS-REFS\XS-COOPER-SHEETS.DGN

USER NAME = 100T
DESIGNED -
DRAWN -
CHECKED -
DATE -
PLOT SCALE = 9.9598" / IN.
PLOT DATE = 2/24/2012

REVISOR -
REVISOR -
REVISOR -
REVISOR -

STATE OF ILLINOIS
DEPARTMENT OF TRANSPORTATION

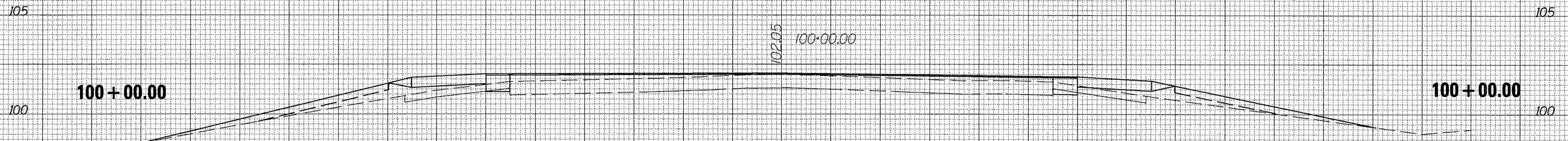
TAZEWELL COUNTY
DEE-MACK ROAD AND COOPER ROAD
INTERSECTION IMPROVEMENTS
SCALE: SHEET NO. OF SHEETS STA. TO STA.

F.A.S. RTE.	SECTION	COUNTY	TOTAL SHEETS	SHEET NO.
470	10-00076-00-RS	TAZEWELL	38	35
CONTRACT NO. 89591			ILLINOIS FED. AID PROJECT	

UNLESS ELEVATIONS ARE SHOWN, ALL UTILITY LOCATIONS SHOWN ON THE CROSS SECTIONS ARE BASED ON THE APPROXIMATE DEPTH SUPPLIED BY THE UTILITY CO. & SHOULD BE FIELD VERIFIED BY CONTRACTOR

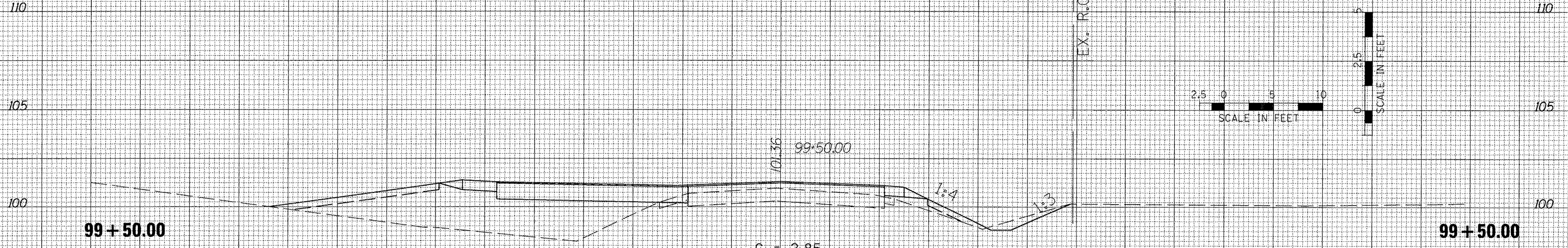


DATE	
BY	
FINAL SURVEY	
SURVEYED	
PLOTTED	
NOTE BOOK	
NO.	
AREAS CHECKED	



C = 2.38
F = 9.55
T = 11.61

DATE	
BY	
ORIGINAL SURVEY	
SURVEYED	
PLOTTED	
NOTE BOOK	
NO.	
AREAS CHECKED	



C = 2.85
F = 54.35
T = 7.13



COOPER ROAD CROSS SECTIONS

FILE NAME = X:\PROJECTS\20077095906\DN\DEEMACK-COOPER\PLANS-REFS\XS-COOPER-SHEETS.DGN

USER NAME = IDOT
DESIGNED -
DRAWN -
CHECKED -
DATE -
PLOT SCALE = 9.9598" / IN.
PLOT DATE = 2/24/2012

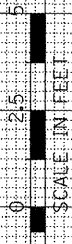
REVISOR -
REVISOR -
REVISOR -
REVISOR -

STATE OF ILLINOIS
DEPARTMENT OF TRANSPORTATION

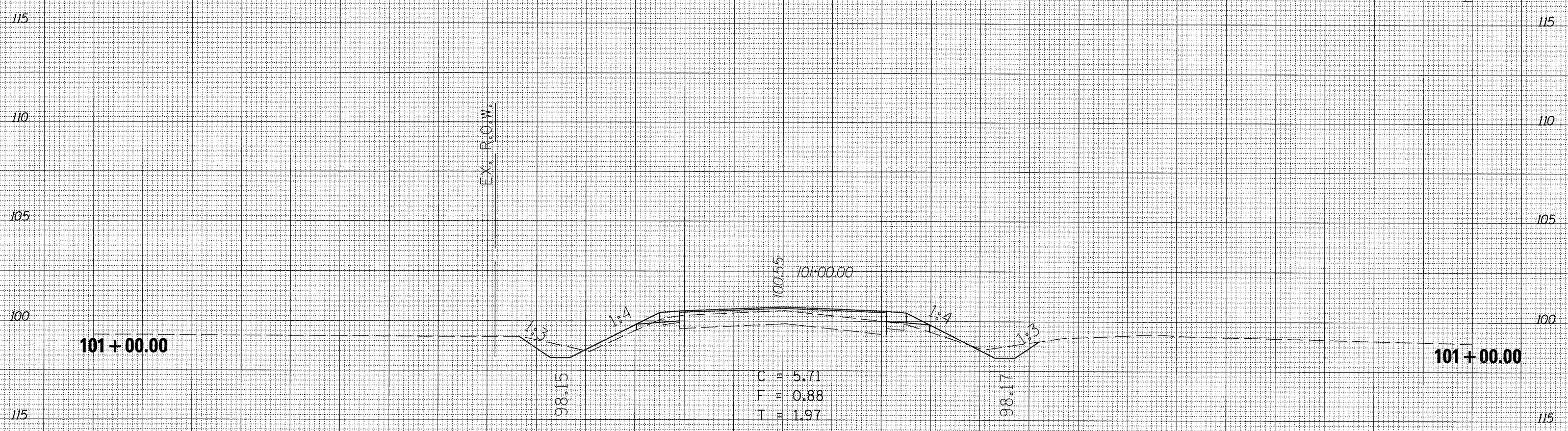
TAZEWELL COUNTY
DEE-MACK ROAD AND COOPER ROAD
INTERSECTION IMPROVEMENTS
SCALE: SHEET NO. OF SHEETS STA. TO STA.

F.A.S. RTE.	SECTION	COUNTY	TOTAL SHEETS	SHEET NO.
470	10-00076-00-RS	TAZEWELL	38	36
CONTRACT NO. 89591			ILLINOIS FED. AID PROJECT	

UNLESS ELEVATIONS ARE SHOWN, ALL UTILITY LOCATIONS SHOWN ON THE CROSS SECTIONS ARE BASED ON THE APPROXIMATE DEPTH SUPPLIED BY THE UTILITY CO. & SHOULD BE FIELD VERIFIED BY CONTRACTOR



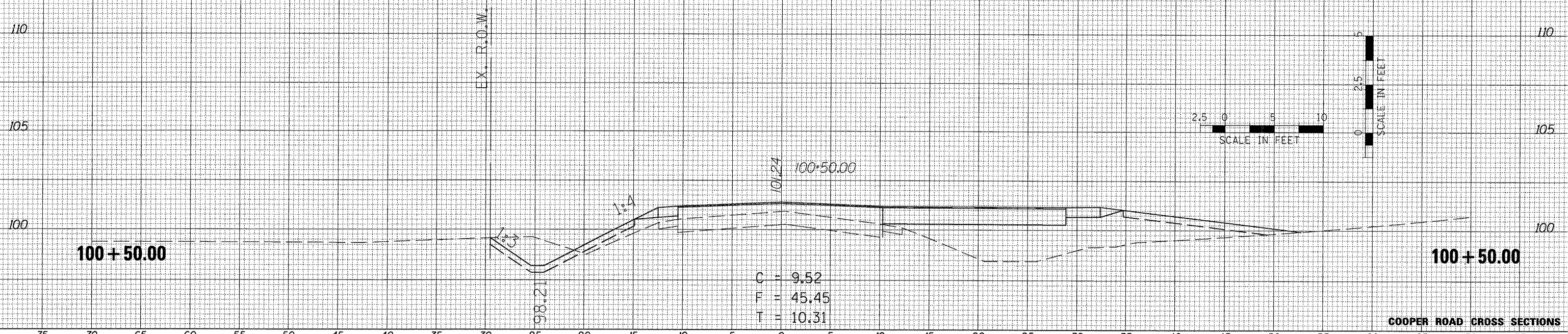
DATE	
BY	
FINAL SURVEY	
PLOTTED	
TEMPLATE	
NOTE BOOK	
AREAS CHECKED	
NO.	



C = 5.71
F = 0.88
T = 1.97



DATE	
BY	
ORIGINAL SURVEY	
PLOTTED	
TEMPLATE	
NOTE BOOK	
AREAS CHECKED	
NO.	



C = 9.52
F = 45.45
T = 10.31

COOPER ROAD CROSS SECTIONS

FILE NAME =
X:\PROJECTS\2007705506\06\DEEMACK-COOPER\PLANS-REFS\XS-COOPER-SHEETS.DGN

USER NAME = IDOT
DESIGNED -
DRAWN -
CHECKED -
DATE -
PLOT SCALE = 9.9598' / IN.
PLOT DATE = 2/24/2012

REVISED -
REVISED -
REVISED -
REVISED -

STATE OF ILLINOIS
DEPARTMENT OF TRANSPORTATION

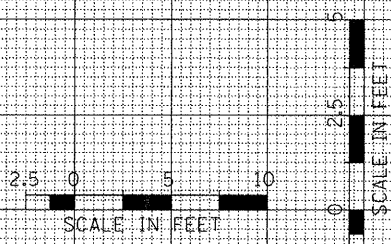
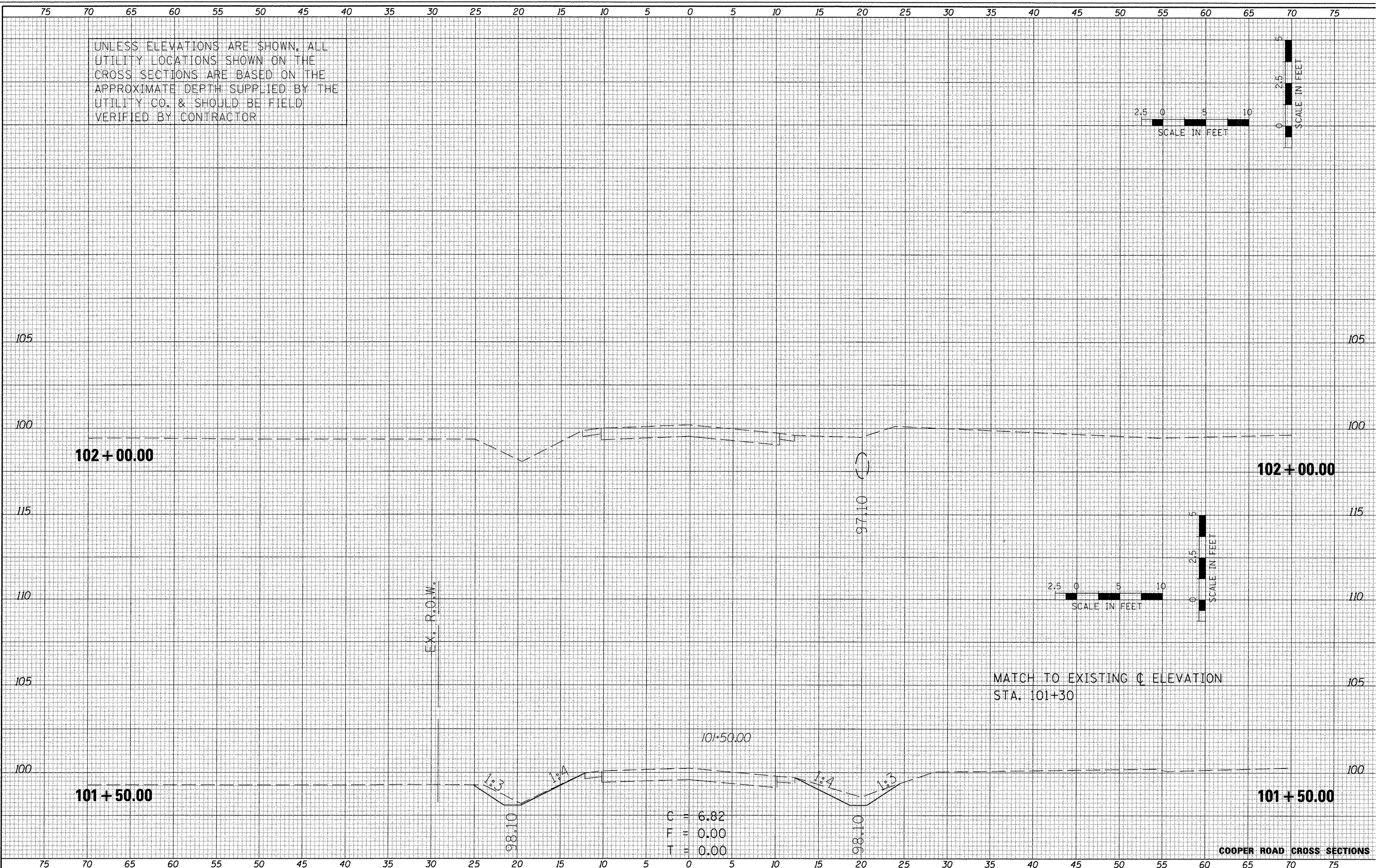
TAZEWELL COUNTY
DEE-MACK ROAD AND COOPER ROAD
INTERSECTION IMPROVEMENTS
SCALE: SHEET NO. OF SHEETS STA. TO STA.

F.A.S. RTE.	SECTION	COUNTY	TOTAL SHEETS	SHEET NO.
470	10-00076-00-RS	TAZEWELL	38	37
CONTRACT NO. 89591			ILLINOIS FED. AID PROJECT	

UNLESS ELEVATIONS ARE SHOWN, ALL UTILITY LOCATIONS SHOWN ON THE CROSS SECTIONS ARE BASED ON THE APPROXIMATE DEPTH SUPPLIED BY THE UTILITY CO. & SHOULD BE FIELD VERIFIED BY CONTRACTOR

DATE	
BY	
FINAL SURVEY	SURVEYED
NOTE BOOK	PLOTTED
NO.	TEMPLATE
	AREAS
	CHECKED

DATE	
BY	
ORIGINAL SURVEY	SURVEYED
NOTE BOOK	PLOTTED
NO.	TEMPLATE
	AREAS
	CHECKED



MATCH TO EXISTING ϕ ELEVATION STA. 101+30

C = 6.82
F = 0.00
T = 0.00

COOPER ROAD CROSS SECTIONS

FILE NAME =
X:\PROJECTS\2007705506\DCM\DEEMACK-COOPER\PLANS-REFS\XS-COOPER-SHEETS.DGN

USER NAME =	DESIGNED -	REVISED -
PLOT SCALE =	DRAWN -	REVISED -
PLOT DATE = 2/24/2012	CHECKED -	REVISED -
	DATE -	REVISED -

STATE OF ILLINOIS
DEPARTMENT OF TRANSPORTATION

SCALE:	SHEET NO.	OF SHEETS	STA.	TO STA.
--------	-----------	-----------	------	---------

F.A.S. RTE. 470	SECTION 10-00076-00-RS	COUNTY TAZEWELL	TOTAL SHEETS 38	SHEET NO. 38
CONTRACT NO. 89591				
ILLINOIS FED. AID PROJECT				