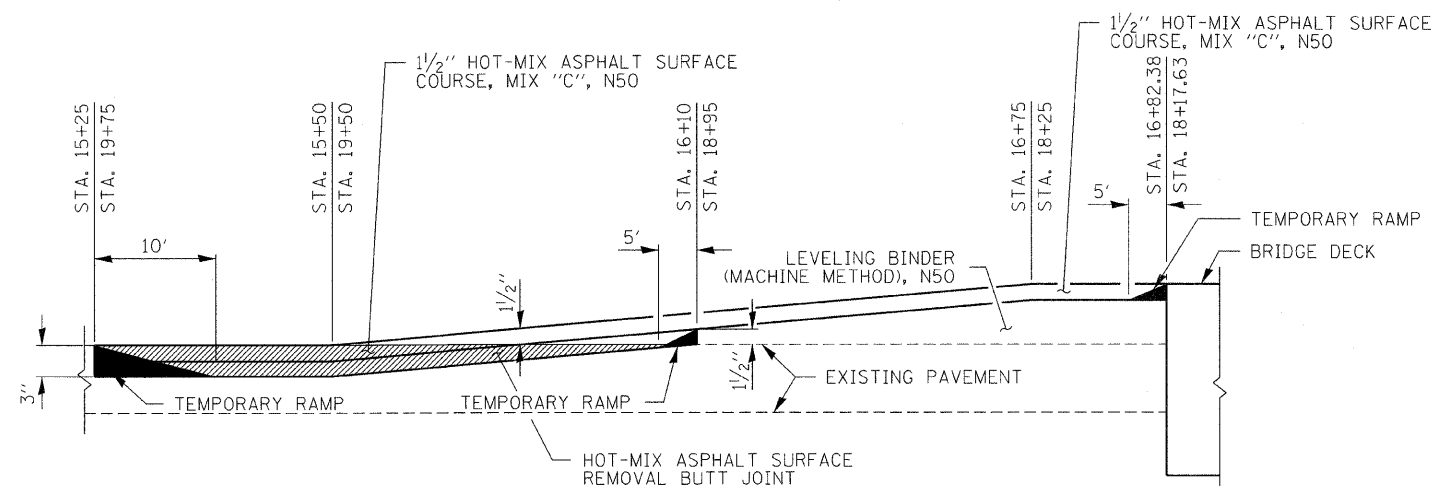


GENERAL NOTES

- 1 ALL CONSTRUCTION SHALL BE DONE IN ACCORDANCE WITH THE STATE OF ILLINOIS "STANDARD SPECIFICATIONS FOR ROAD AND BRIDGE CONSTRUCTION, ADOPTED JANUARY 1, 2012," THESE PLANS AND THE SPECIAL PROVISIONS INCLUDED IN THE CONTRACT DOCUMENTS.
- 2 ALL CLEARING AND GRUBBING SHALL BE CONSIDERED INCIDENTAL TO EARTH EXCAVATION. ALL BITUMINOUS MATERIAL SHALL BE PROPERLY DISPOSED OF BY THE CONTRACTOR IN A METHOD APPROVED BY THE ENGINEER. PROPER DISPOSAL OF BITUMINOUS MATERIAL SHALL BE CONSIDERED TO BE INCLUDED WITH THE CORRESPONDING PAVEMENT REMOVAL PAY ITEM AND NO ADDITIONAL COMPENSATION WILL BE ALLOWED.
- 3 THE LOCATIONS OF EXISTING GAS MAINS, ELECTRIC POWER LINES, TELEPHONE LINES AND OTHER UTILITIES AS SHOWN ON THE PLANS ARE BASED ON CAREFUL FIELD INVESTIGATION AND THE BEST INFORMATION AVAILABLE, BUT THE LOCATIONS ARE NOT GUARANTEED. IT SHALL BE THE CONTRACTOR'S RESPONSIBILITY TO ASCERTAIN THEIR EXACT LOCATION FROM THE INDIVIDUAL UTILITY COMPANIES AND BY FIELD INSPECTION.
- 4 WHERE SECTION OR SUBSECTION MONUMENTS ARE ENCOUNTERED, THE ENGINEER SHALL BE NOTIFIED BEFORE SUCH MONUMENTS ARE REMOVED. THE CONTRACTOR SHALL PROTECT AND CAREFULLY PRESERVE ALL PROPERTY MARKS AND MONUMENTS UNTIL THE OWNER, AN AUTHORIZED SURVEYOR OR AGENT HAS WITNESSED OR OTHERWISE REFERENCED THEIR LOCATION.
- 5 THE AREA TO BE SEEDED SHALL CONSIST OF ALL DISTURBED EARTH SURFACES WITHIN THE RIGHT-OF-WAY AS DIRECTED BY THE ENGINEER. SEEDING WILL BE DONE IN ACCORDANCE WITH THE STATE OF ILLINOIS "STANDARD SPECIFICATIONS FOR ROAD AND BRIDGE CONSTRUCTION ADOPTED JANUARY 1, 2012." ESTIMATED QUANTITY = SEEDING CLASS 2 (SPECIAL) = 0.25 ACRES
- 6 THE FOLLOWING RATES OF APPLICATION HAVE BEEN USED IN CALCULATING PLAN QUANTITIES:

POROUS GRANULAR EMBANKMENT	2.00 TON/CU YD
SUBBASE GRANULAR MATERIAL, TYPE B	2.05 TON/CU YD
ALL HOT MIX ASPHALT	112 LBS/SQ.YD./INCH OF THICKNESS
STONE RIPRAP, CLASS A5 (SPECIAL)	1.75 TON/CU YD



PAVEMENT TRANSITION DETAIL

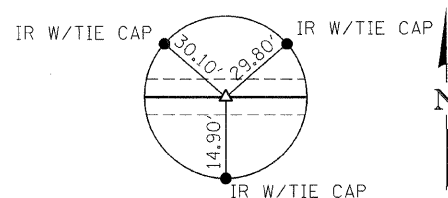
HIGHWAY STANDARDS

- 000001-06 STANDARD SYMBOLS, ABBREVIATIONS, AND PATTERNS
- 280001-06 TEMPORARY EROSION CONTROL SYSTEMS
- 515001-03 NAME PLATE FOR BRIDGES
- 601101-01 CONCRETE HEADWAL FOR PIPE DRAIN
- 630001-10 STEEL PLATE BEAM GUARDRAIL
- 630201-06 PCC/HMA STABILIZATION AT STEEL PLATE BEAM GUARDRAIL
- 630301-05 SHOULDER WIDENING FOR TYPE 1, (SPECIAL) GUARDRAIL TERMINALS
- 631032-07 TRAFFIC BARRIER TERMINAL, TYPE 6A
- 635006-03 REFLECTOR AND TERMINAL MARKER PLACEMENT
- 635011-02 REFLECTOR MARKER AND MOUNTING DETAILS
- 701001-02 OFF-ROAD OPERATIONS 2L, 2W, MORE THAN 4.5M (15') AWAY
- 701006-03 OFF-ROAD OPERATIONS 2L, 2W, 4.5M (15') TO 600 MM (24") FROM PAVEMENT EDGE
- 701011-02 OFF-ROAD MOVING OPERATIONS 2L, 2W, DAY ONLY
- 701201-04 LANE CLOSURE, 2L, 2W, DAY ONLY, FOR SPEEDS > 45 MPH
- 701301-04 LANE CLOSURE, 2L, 2W, SHORT TIME OPERATIONS
- 701311-03 LANE CLOSURE, 2L, 2W, MOVING OPERATIONS, DAY ONLY
- 701321-12 LANE CLOSURE, 2L, 2W, BRIDGE REPAIR WITH BARRIER
- 701326-04 LANE CLOSURE, 2L, 2W, PAVEMENT WIDENING FOR SPEEDS > 45 MPH
- 701901-02 TRAFFIC CONTROL DEVICES
- 704001-07 TEMPORARY CONCRETE BARRIER
- 780001-03 TYPICAL PAVEMENT MARKINGS

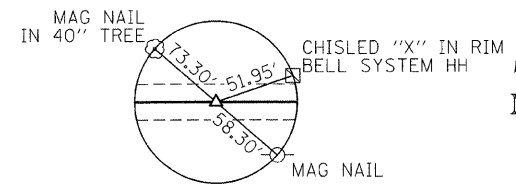
ALIGNMENT FAU 7043/CH6/PERRYSVILLE ROAD

DESCRIPTION	STATION	NORTHING	EASTING
FAU 7043/CH6			
P.O.T.	11+50.00	1254237.992	1189173.346
P.O.T.	23+50.07	1254341.736	1190368.923

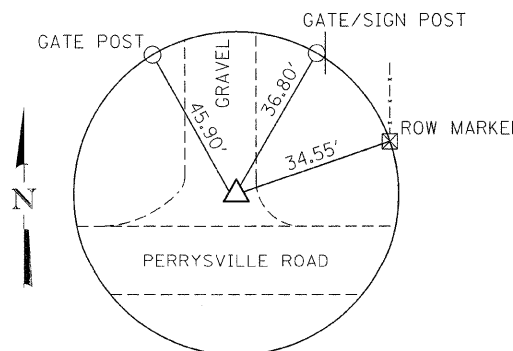
SURVEY CONTROL POINTS					
DESCRIPTION	STATION	OFFSET	NORTHING	EASTING	ELEVATION
FAU 7043/CH6					
CP#1	20+88.26	LT 22.62	1254341.637	1190106.134	557.703
CP#2	16+18.08	LT 14.99	1254293.387	1189638.377	559.683
CP#3	8+43.69	RT 19.84	1254191.743	1188869.899	576.663



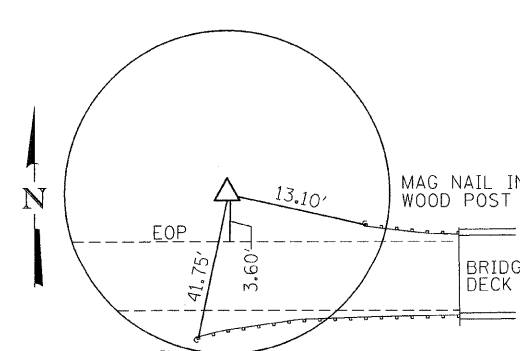
P.O.T. STA. 11+50.00
MAG NAIL
N. 1254237.992
E. 1189173.346



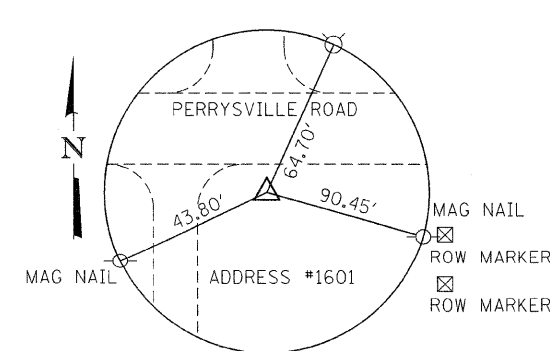
P.O.T. STA. 23+56.07
MAG NAIL
N. 1254341.736
E. 1190368.923



CP# 1
22.62' LT. STA. 20+88.26
N. 1254341.637
E. 1190106.134



CP# 2
14.99' LT. STA. 16+18.08
N. 1254293.387
E. 1189638.377



CP# 3
19.84' RT. STA. 8+43.69
N. 1254191.743
E. 1188869.905

FILE NAME = 180108-sht-notes.dgn	USER NAME =	DESIGNED - S.W.M.	REVISED -
HAMPTON, LENZINI AND RENWICK, INC. 3385 STEVENSON DRIVE, SUITE 201 SPRINGFIELD, ILLINOIS 62703	PLOT SCALE =	DRAWN - T.W.K.	REVISED -
ILLINOIS PROFESSIONAL DESIGN FIRM L3 / PE / SE CORP. 184.00989	PLOT DATE = 2/9/2012	CHECKED - L.F.S.	REVISED -
		DATE - 02/09/12	REVISED -

**STATE OF ILLINOIS
VERMILION COUNTY HIGHWAY DEPARTMENT**

**GENERAL NOTES, ALIGNMENT TIES AND MISC. DETAILS
C.H. 6 / PERRYSVILLE ROAD**

SCALE: SHEET NO. OF SHEETS STA. TO STA.

F.A.U.	SECTION	COUNTY	TOTAL SHEETS	SHEET NO.
7043	09-00171-00-BR	VERMILION	66	2
CONTRACT NO. 91449				
ILLINOIS FED. AID PROJECT				