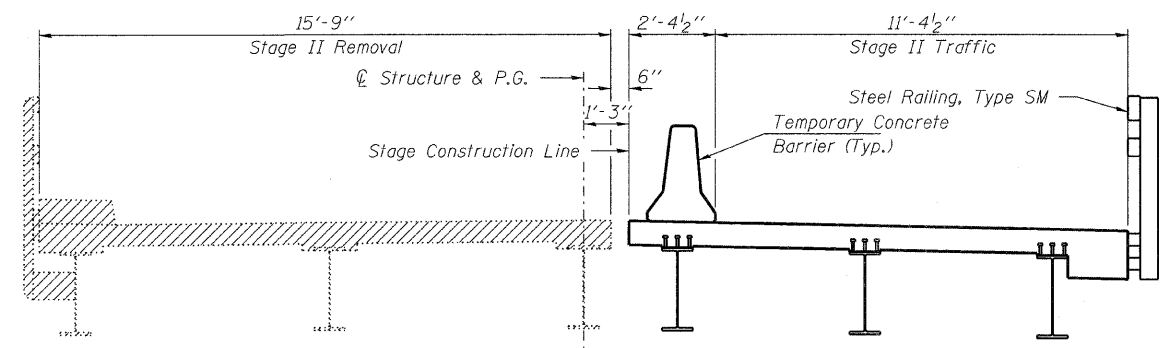
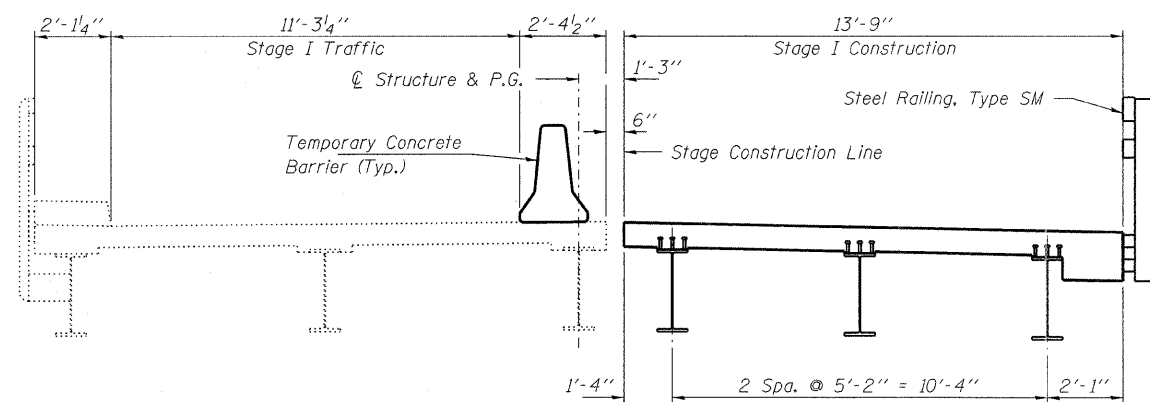


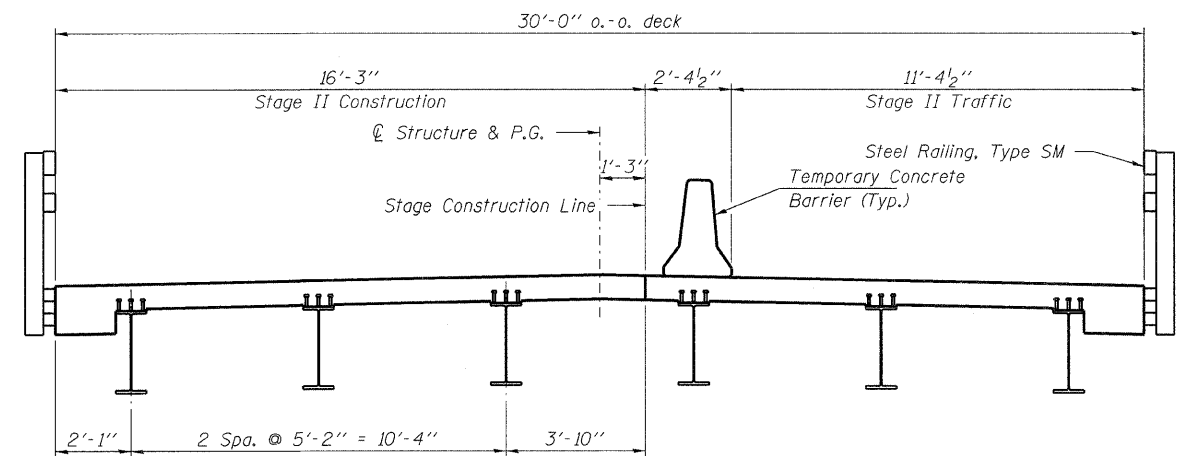
STAGE I REMOVAL



STAGE II REMOVAL



STAGE I CONSTRUCTION



STAGE II CONSTRUCTION

Notes:
 All sections are looking East.
 Hatched areas indicate removal.
 See Roadway Plans for quantity of Temporary Concrete Barrier.

FILE NAME = 100108-sht-bridge.dgn	USER NAME =	DESIGNED - C.C.S.	REVISED -	STATE OF ILLINOIS VERMILION COUNTY HIGHWAY DEPARTMENT	STAGE CONSTRUCTION DETAILS STRUCTURE NO. 092-0085	FAU	SECTION	COUNTY	TOTAL SHEETS	SHEET NO.
HAMPTON, LENZINI AND RENWICK, INC. 353 STEVENSON DRIVE, SUITE 201 SPRINGFIELD, ILLINOIS 62703	PLOT SCALE =	CHECKED - S.M.S.	REVISED -			T043	09-00171-00-BR	VERMILION	66	36
ELR ILLINOIS PROFESSIONAL DESIGN FIRM 13 / PE / SE CORP. 184.002859	PLOT DATE = 2/9/2012	DRAWN - D.A.B.	REVISED -			CONTRACT NO. 91449				
		CHECKED - S.W.M.	REVISED -			ILLINOIS FED. AID PROJECT				
SHEET NO. 3 OF 33 SHEETS										