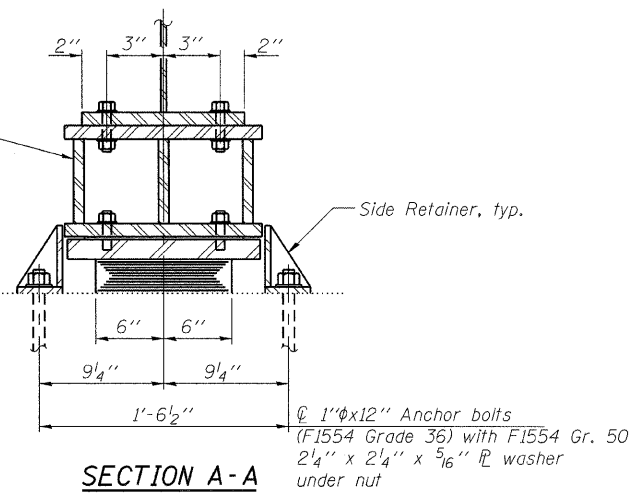


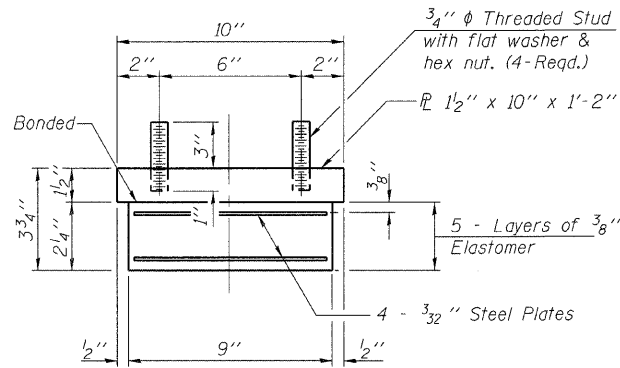
ELEVATION AT WEST ABUT.



SECTION A-A

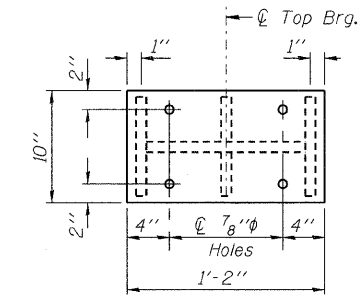
TYPE I ELASTOMERIC EXP. BRG. AT WEST ABUTMENT

(6 Required)

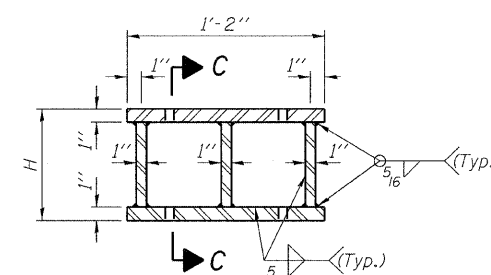


BEARING ASSEMBLY

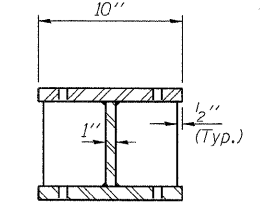
Note:  
Shim plates shall not be placed under Bearing Assembly.



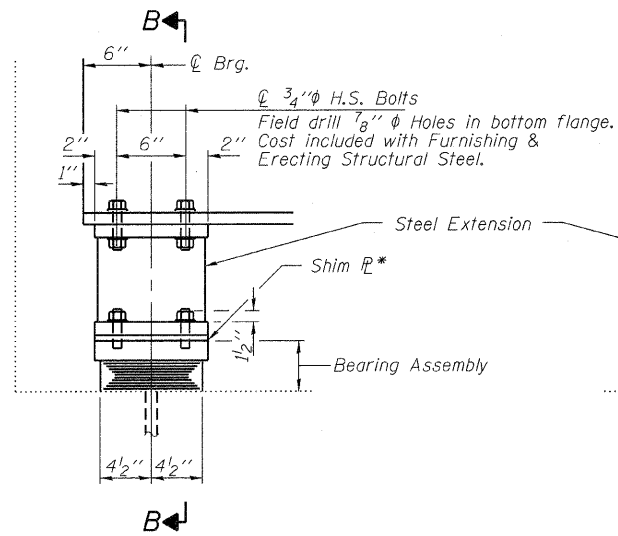
PLAN STEEL EXTENSION



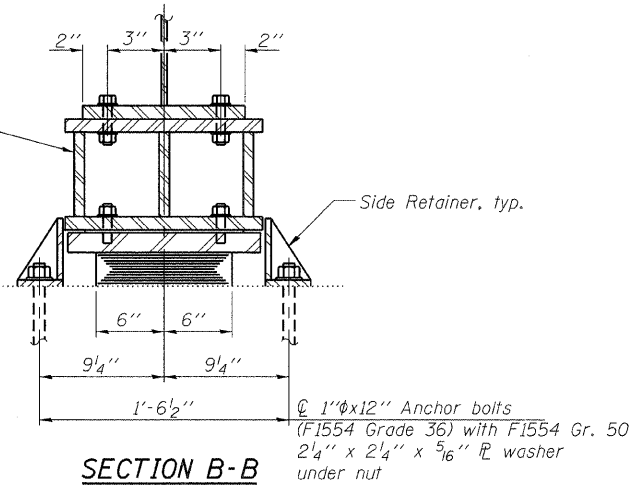
ELEVATION STEEL EXTENSION



SECTION C-C



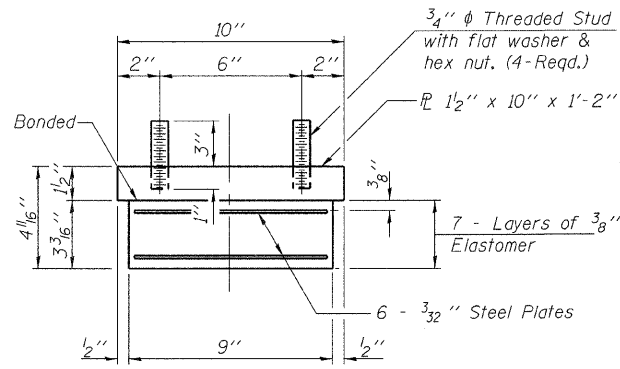
ELEVATION AT EAST ABUT.



SECTION B-B

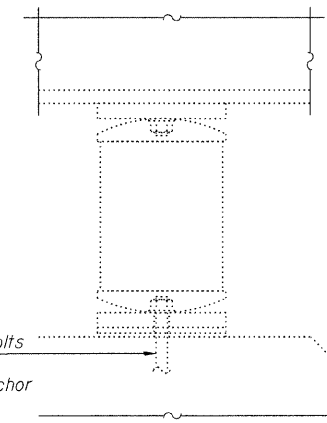
TYPE I ELASTOMERIC EXP. BRG. AT EAST ABUTMENT

(6 Required)



BEARING ASSEMBLY

Note:  
Shim plates shall not be placed under Bearing Assembly.



EXISTING BEARING REMOVAL DETAIL

Cost is included with Superstructure Removal.

Notes:

Anchor bolts shall be ASTM F1554 all-thread (or an Engineer-approved alternate material) of the grade(s) and diameter(s) specified. ASTM A307 Grade C anchor bolts may be used in lieu of ASTM F1554 Grade 36 (Fy=36ksi). The corresponding specified grade of AASHTO M314 anchor bolts may be used in lieu of ASTM F1554.

Anchor bolts for side retainers may be cast in place or installed in holes drilled before or after members are in place.

Drilled and set anchor bolts shall be installed according to Article 521.06 of the Standard Specifications.

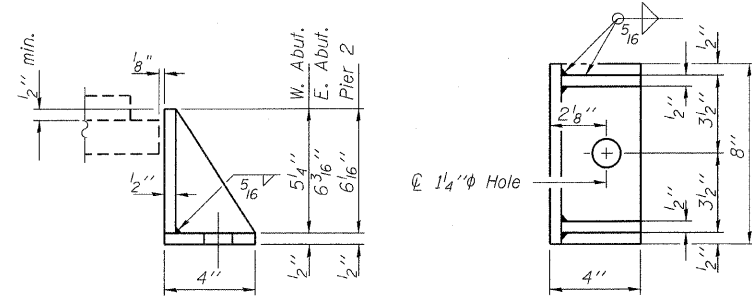
Side retainers and other steel members required for the elastomeric bearing assembly shall be included in the cost of Elastomeric Bearing Assembly, Type I.

All structural steel plates of the Bearing Assembly shall conform to the requirements of AASHTO M270 Grade 50W.

Prior to ordering any material, the Contractor shall verify in the field all bearing height and shim thickness dimensions.

Two 1/8 inch adjustment shims shall be provided for each bearing in addition to all other plates or shims and placed as shown on bearing details.

New steel extensions, connection bolts, Fill R's and Shim R's are included in "Furnishing and Erecting Structural Steel".



SIDE RETAINER

Equivalent rolled angle with stiffeners will be allowed in lieu of welded plates.

STEEL EXTENSION HEIGHTS "H"				
Beam	W. Abut.	Pier 1	Pier 2	E. Abut.
1	1'-0 5/8"	0'-6 1/4"	1'-3"	0'-11 1/2"
2	1'-0"	0'-6"	1'-2 5/8"	0'-11 3/8"
3	1'-1 1/4"	0'-7 1/4"	1'-4"	1'-0 5/8"
4	1'-1 1/4"	0'-7 1/4"	1'-4"	1'-0 5/8"
5	1'-0"	0'-6"	1'-2 5/8"	1'-11 3/8"
6	1'-0 5/8"	0'-6 1/4"	1'-3"	0'-11 1/2"

BILL OF MATERIAL

Item	Unit	Total
Elastomeric Bearing Assembly Type I	Each	12
Anchor Bolts, 1"	Each	24