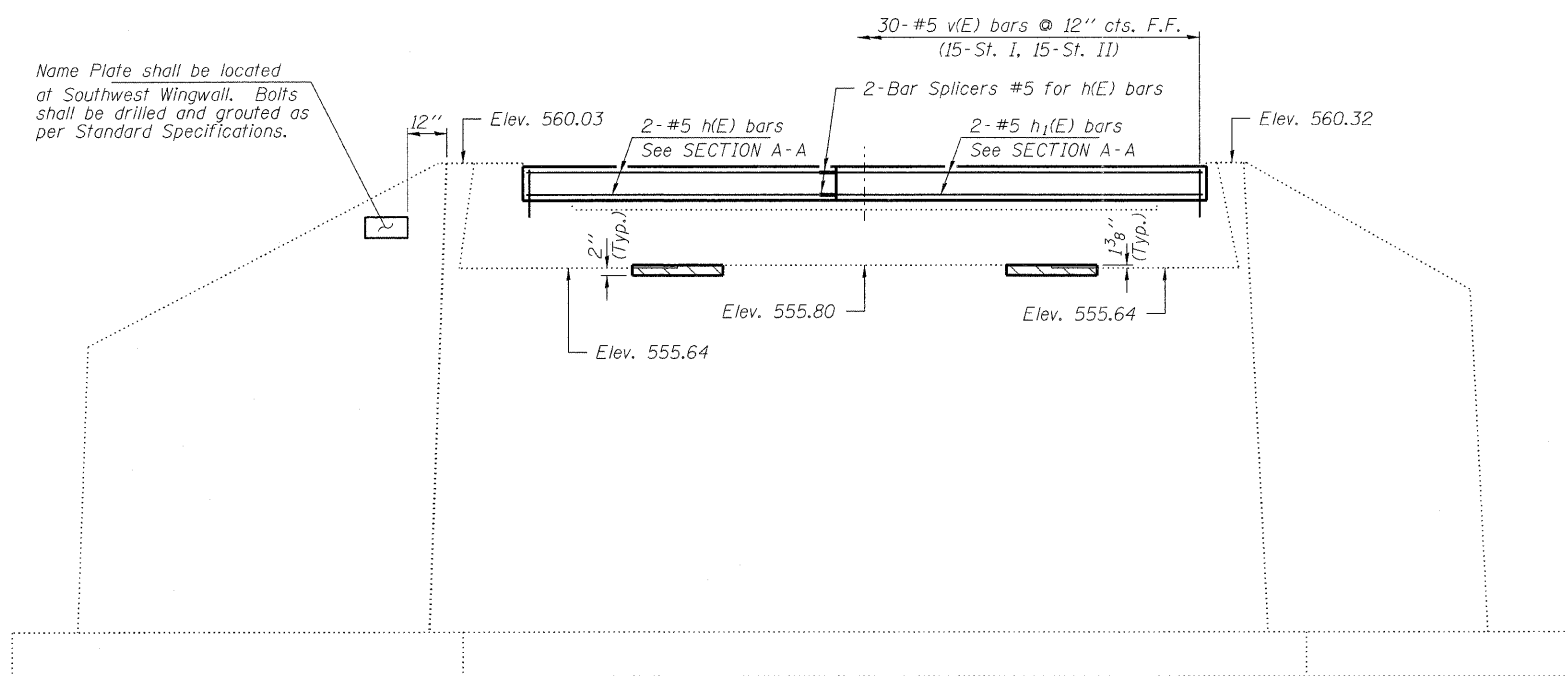


PLAN

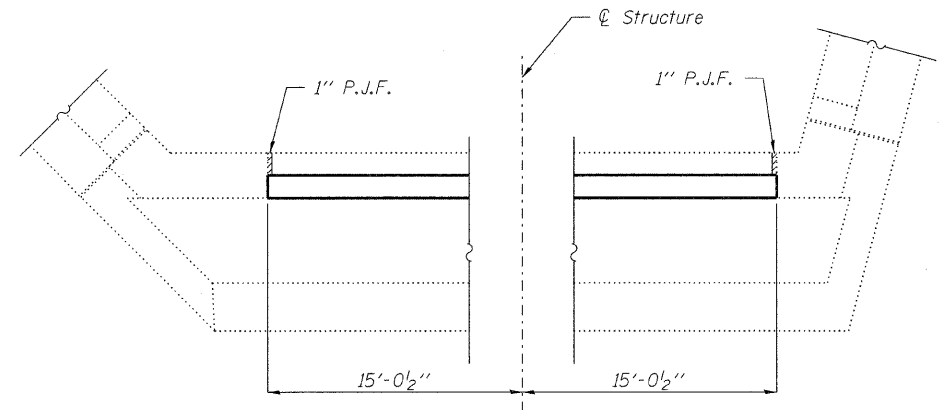
Name Plate shall be located at Southwest Wingwall. Bolts shall be drilled and grouted as per Standard Specifications.



ELEVATION
(Looking West)

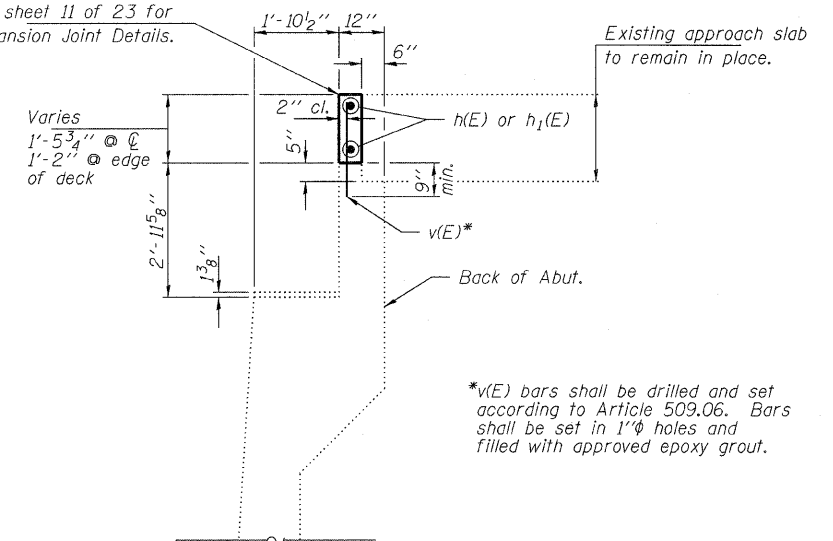
Indicates Concrete Removal

Remove concrete down to top mat of reinforcement in wall. Proposed bearing seat shall be poured to match existing cap elevation at the upper step (Elev. 555.80).



CORNER DETAILS

See sheet 11 of 23 for Expansion Joint Details.



SECTION A-A

*v(E) bars shall be drilled and set according to Article 509.06. Bars shall be set in 1" holes and filled with approved epoxy grout.

BILL OF MATERIAL - W. ABUT.

| BAR | NO. | SIZE | LENGTH | SHAPE |
|--|-----|------|---------|-------|
| h(E) | 2 | #5 | 13'-5" | — |
| h ₁ (E) | 2 | #5 | 15'-11" | — |
| v(E) | 30 | #5 | 1'-9" | — |
| Concrete Removal | | | Cu. Yd. | 0.1 |
| Concrete Structures | | | Cu. Yd. | 0.8 |
| Reinforcement Bars, Epoxy Coated | | | Pound | 120 |
| Bar Splicers | | | Each | 2 |
| Structural Repair of Concrete Depth = 5" | | | Sq. Ft. | 8 |

Notes:
Concrete damaged during the removal process shall be repaired at the expense of the Contractor.
Structural Repair of Concrete shall be used to repair existing deterioration to the abutment backwalls and bearing seats as directed by the Engineer.
Existing reinforcement shall be cleaned and incorporated into the new construction.
Cost of drilling and grouting reinforcing bars included in cost for Concrete Structures.
The backwall shall be poured after the deck.
See sheet 11 of 23 for expansion joint details.

| | |
|---|----------------------|
| FILE NAME = 100100-sht-bridge.dgn | USER NAME = |
| HAMPTON, LENZINI AND RENWICK, INC. 3685 STEVENSON DRIVE, SUITE 201 SPRINGFIELD, ILLINOIS 62719 | PLOT SCALE = |
| HLR ILLINOIS PROFESSIONAL DESIGN FIRM LS / PE / SE CORP. 184.000959 | PLOT DATE = 2/9/2012 |

| | |
|-------------------|-----------|
| DESIGNED - C.C.S. | REVISED - |
| CHECKED - S.M.S. | REVISED - |
| DRAWN - D.A.B. | REVISED - |
| CHECKED - S.W.M. | REVISED - |

STATE OF ILLINOIS
VERMILION COUNTY HIGHWAY DEPARTMENT

WEST ABUTMENT DETAILS
STRUCTURE NO. 092-0085
SHEET NO. 19 OF 33 SHEETS

| | | | | |
|--------------------|----------------|-----------|-----------------------------|-----------|
| FAU | SECTION | COUNTY | TOTAL SHEETS | SHEET NO. |
| T043 | 09-00171-00-BR | VERMILION | 66 | 52 |
| CONTRACT NO. 91449 | | | [ILLINOIS] FED. AID PROJECT | |