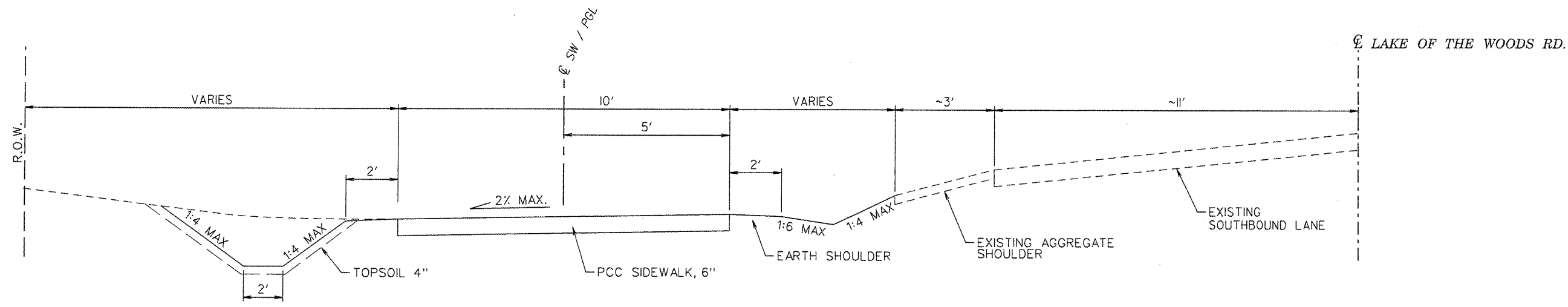


\* SEE PLANS FOR DIRECTIONS OF CROSS-SLOPE  
 \*\* SEE CROSS SECTIONS FOR DITCH LOCATION, SIDE, AND ELEVATION

**PROPOSED TYPICAL CROSS SECTION - C.C. FOREST PRESERVE (LEG 3 & 4)**

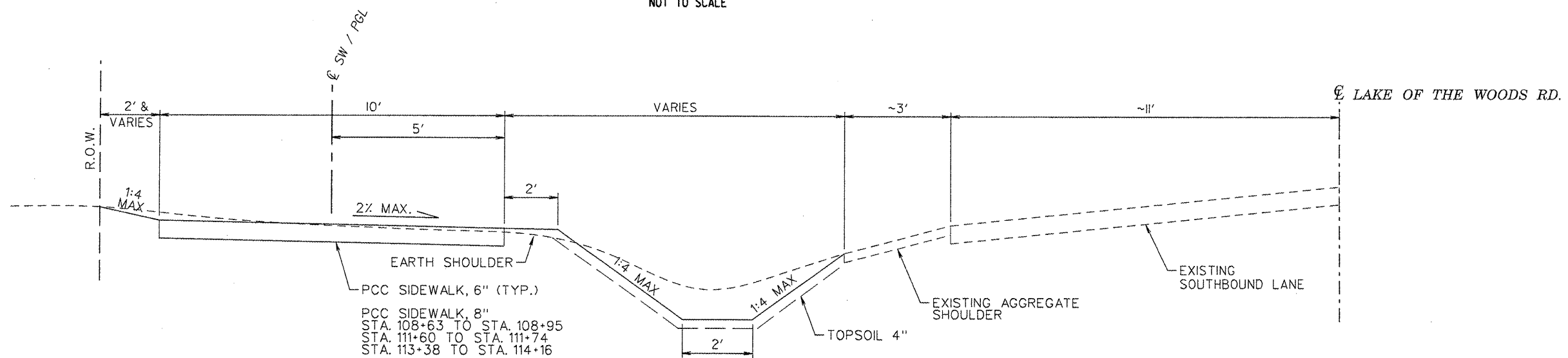
STA. 199+55 TO 214+36  
 STA. 400+00 TO 403+59.13  
 NOT TO SCALE



SEE CROSS-SECTIONS FOR DITCH ELEVATIONS

**PROPOSED TYPICAL CROSS SECTION - LAKE OF THE WOODS ROAD (LEG 2)**

STA. 100+00 TO 105+00  
 NOT TO SCALE



SEE CROSS-SECTIONS FOR DITCH ELEVATIONS

**PROPOSED TYPICAL CROSS SECTION - LAKE OF THE WOODS ROAD (LEG 2)**

STA. 105+50 TO 114+35  
 NOT TO SCALE

DESCRIPTION	
DATE	
REVISION	
PROJECT TITLE	VILLAGE OF MAHOMET & CC FOREST PRESERVE
	LAKE OF THE WOODS ROAD
	MULTI-PURPOSE PATHWAY
SHEET TITLE	TYPICAL SECTIONS - LAKE OF THE WOODS ROAD
Sudmann and Associates, Inc. 3000 W. WILSON BLVD. POST OFFICE BOX 551 CHAMPAIGN, ILLINOIS 61824-0551 TEL 217 352-7888 FAX 217 352-7922 ENGINEERING / ANALYSIS / MANAGEMENT	
DES. CMO	
DRAW. MSD	
CHEK. CM	
APP. SRS	
PROJECT NO.	1009
DATE	12-12-2011
SHEET	10
OF 61 SHEETS	