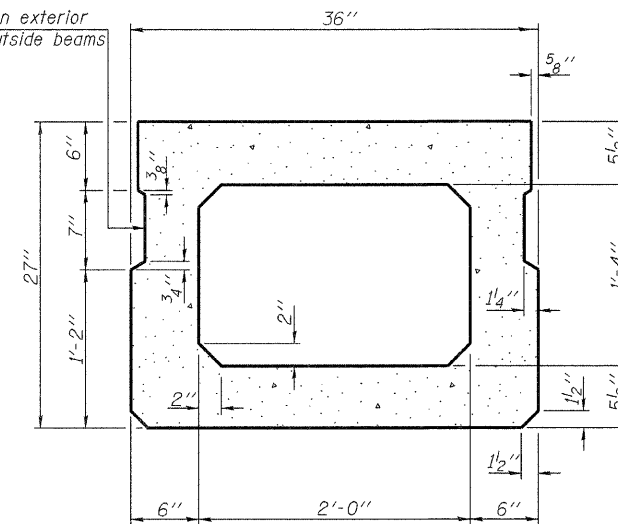
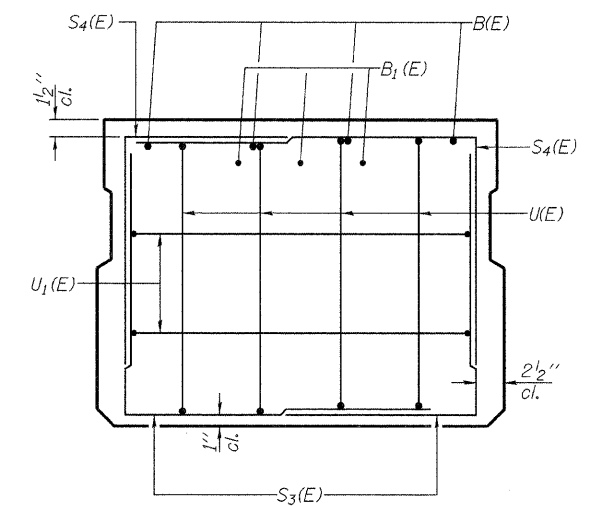


**SECTION A-A**

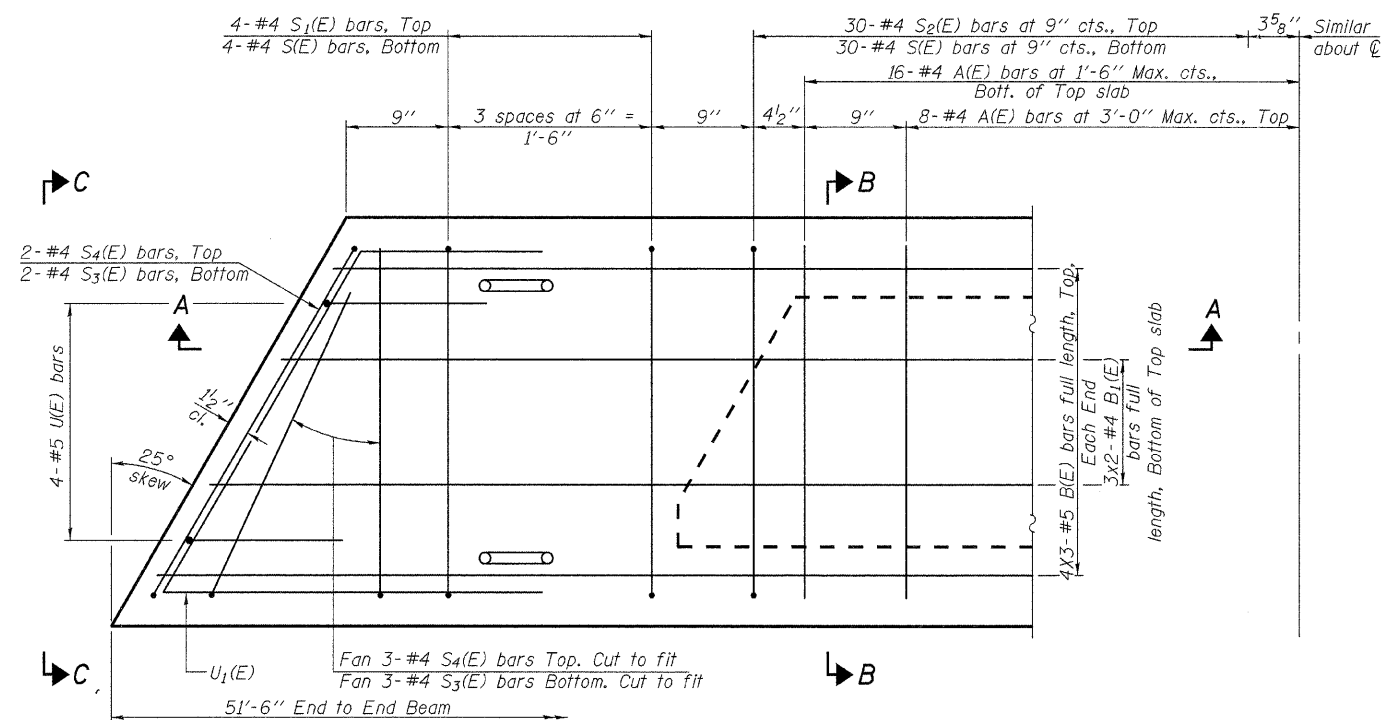
Omit key on exterior face of outside beams



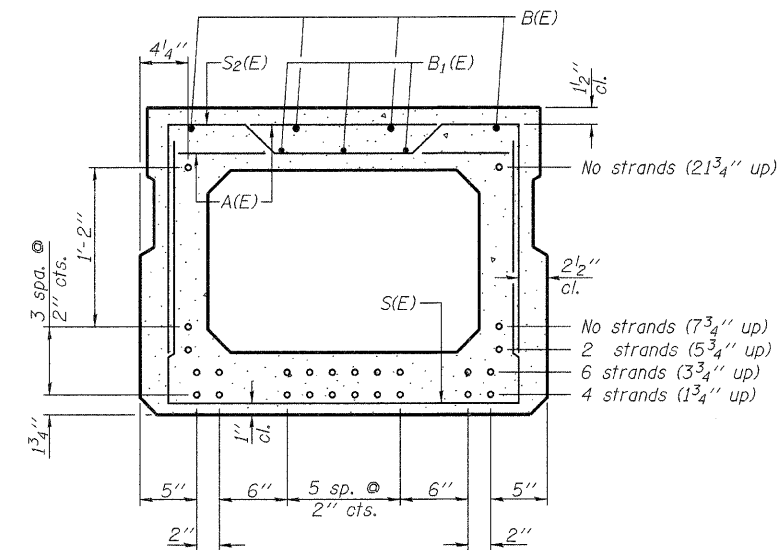
**SECTION B-B**  
(Showing dimensions)



**VIEW C-C**



**PLAN VIEW**



Use 12 - 1/2" diameter strands at the locations shown.

**SECTION B-B**

(Showing reinforcement and permissible strand locations)  
Note: Place the number of strands specified in each row symmetrically about the centerline of beam in the permissible strand locations shown.

**BAR LIST**  
**ONE BEAM ONLY - SPAN 3**  
(For information only)

Bar	No.	Size	Length	Shape
A(E)	46	#4	2'-7"	—
B(E)	12	#5	18'-9"	—
B1(E)	6	#4	26'-8"	—
S(E)	68	#4	6'-5"	┌
S1(E)	8	#4	6'-3"	┌
S2(E)	60	#4	6'-6"	┌
S3(E)	10	#4	4'-3"	┌
S4(E)	10	#4	4'-2"	┌
U(E)	8	#5	4'-6"	┌
U1(E)	4	#4	6'-5"	┌

Note: See sheet 11 for additional details and Bill of Material.  
Reinforcement bars designated (E) shall be epoxy coated.

Notes: Spacing of S(E) and S(E) bars may be adjusted up to 4" in the immediate area of the transverse tie diaphragms to miss the block outs for the transverse ties.

Bars indicated thus, 3x2-#4 bars etc., indicates 3 lines of bars with 2 lengths per line.

**MINIMUM BAR LAP**

#4 bar = 2'-0"  
#5 bar = 2'-6"

PD-2736-L

7-1-10

FILE NAME = 11-540.SUPER.DGN

USER NAME = S.A.P.

DESIGNED - A.L.S.

REVISED -

CHECKED - A.R.K. & J.A.M.

REVISED -

PLOT SCALE = XXX

DRAWN - S.A.P.

REVISED -

PLOT DATE = 01/06/12

CHECKED - A.R.K.

REVISED -



**FEHR-GRAHAM & ASSOCIATES, LLC**  
ENGINEERING AND SCIENCE CONSULTANTS  
FREEPORT, IL ROCKFORD, IL ROCHELLE, IL MONROE, WI SPRINGFIELD, IL

**27" x 36" PPC DECK BEAM - SPAN 3**  
S.N. 021-4546

TWP. RTE.	SECTION	COUNTY	TOTAL SHEETS	SHEET NO.
151	07-02122-01-BR	DOUGLAS	23	10
ILLINOIS			CONTRACT NO. 91473	
			BOURBON ROAD DISTRICT	