

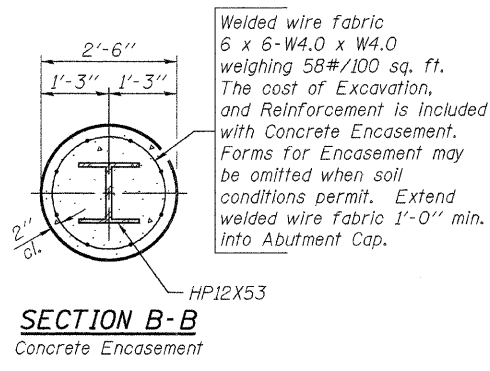
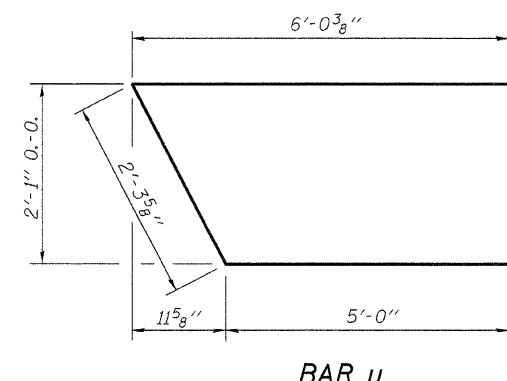
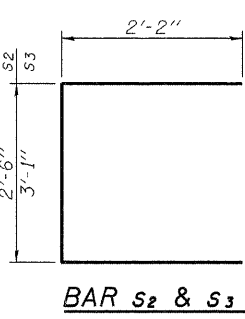
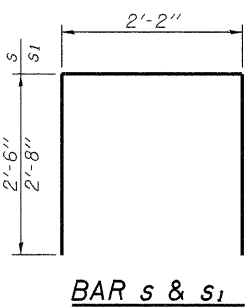
**EAST ABUTMENT
BILL OF MATERIAL**

Bar	No.	Size	Length	Shape
h	16	#5	10'-0"	—
h ₁	6	#4	5'-8"	—
h ₂	6	#4	7'-6"	—
p	10	#7	31'-8"	—
s	24	#5	7'-2"	□
s ₁	24	#5	7'-6"	□
s ₂	6	#5	7'-4"	□
s ₃	6	#5	7'-11"	□
u	8	#6	13'-4"	—
v	10	#4	5'-10"	—
v ₁	16	#4	5'-4"	—
v ₂	6	#4	5'-1"	—
Concrete Structures		Cu. Yd.	12.0	
Reinforcement Bars		Pound	1,610	
Steel Piles HP12x53		Foot	185	
Driving Piles		Foot	185	
Concrete Encasement		Cu. Yd.	2.7	

See Sheet 16 for Pile Details.

PILE DATA

Type & Size.....Steel HP12x53
 No. Req'd.....5
 Nominal Required Bearing.....240 kips
 Factored Resistance Available.....132 kips
 Estimated Length.....37 ft./Pile



Welded wire fabric
 6 x 6-W4.0 x W4.0
 weighing 58#/100 sq. ft.
 The cost of Excavation,
 and Reinforcement is included
 with Concrete Encasement.
 Forms for Encasement may
 be omitted when soil
 conditions permit. Extend
 welded wire fabric 1'-0" min.
 into Abutment Cap.