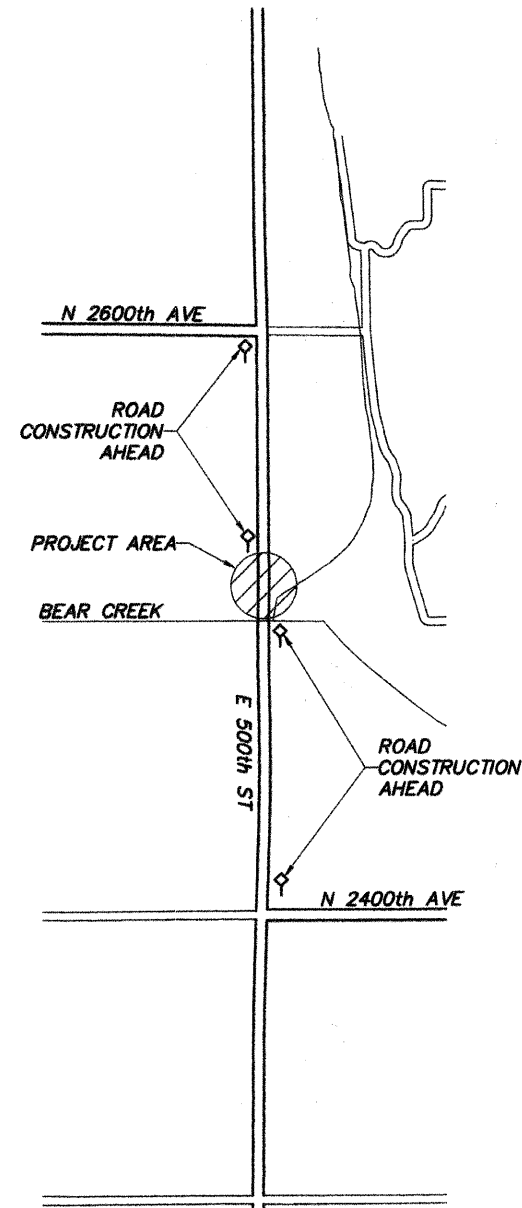


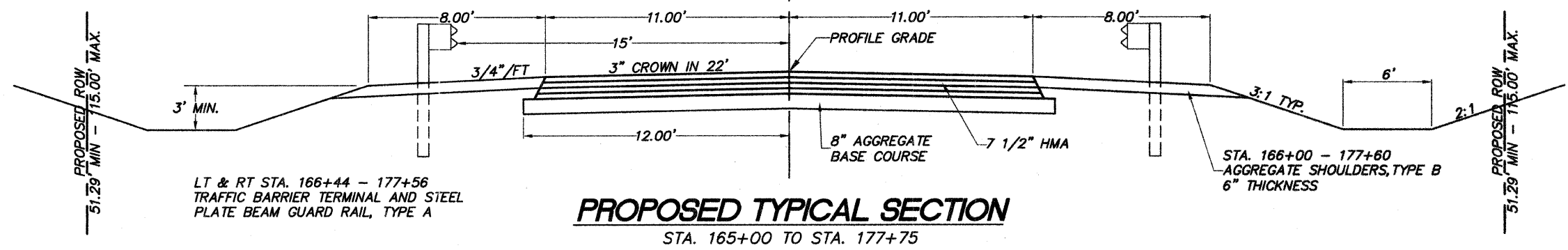
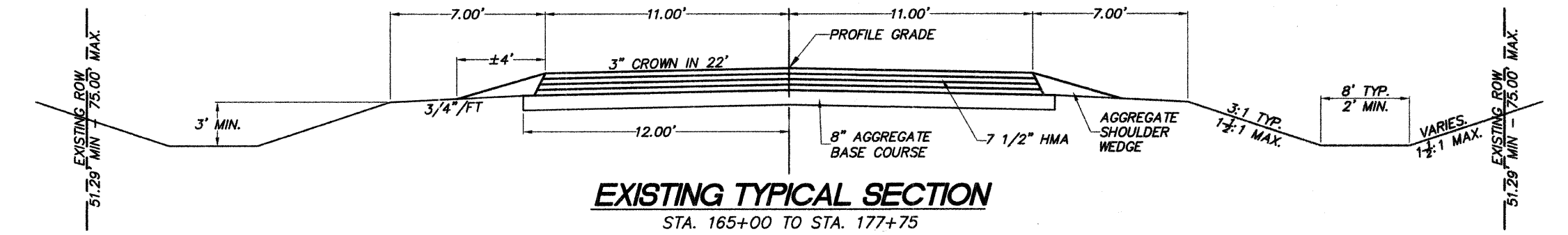
TRAFFIC CONTROL AND PROTECTION



TYPICAL SECTIONS

COUNTY	ROUTE	SECTION	SHT. NO.
ADAMS	FAS 1600	08-00211-01-SC	2/22

TYPICAL SECTION SUMMARY OF QUANTITIES
TRAFFIC CONTROL GENERAL NOTES
BENCHING DETAIL



GENERAL NOTES

- APPLICATION RATES:
FERTILIZER NUTRIENTS 10-10-10 @ 270#/ACRE
AGRICULTURAL GROUND LIMESTONE - 2 TON/ACRE
MULCH, METHOD 2 - 2 TON/ACRE

SUMMARY OF QUANTITIES

TOTAL QUANTITY	UNIT	ITEM	SPECIAL PROVISION	CODE NUMBER
14	UNIT	TREE REMOVAL (6 -15 UNITS DIAMETER)		20100110
28	UNIT	TREE REMOVAL (OVER 15 UNITS DIAMETER)		20100210
0.55	ACRE	TREE REMOVAL, ACRES	*	20100500
4,124	CU YD	EARTH EXCAVATION	*	20200100
1,930	CU YD	REMOVAL AND DISPOSAL OF UNSUITABLE MATERIAL	*	20201200
12,689	CU YD	FURNISHED EXCAVATION	*	20400800
3.50	ACRE	SEEDING, CLASS 2		25000200
315	POUND	NITROGEN FERTILIZER NUTRIENTS		2500400
315	POUND	PHOSPHORUS FERTILIZER NUTRIENTS		2500500
315	POUND	POTASSIUM FERTILIZER NUTRIENTS		2500600
7	TON	AGRICULTURAL GROUND LIMESTONE		2500700
3.5	ACRE	MULCH, METHOD 2	*	25100115
350	POUND	TEMPORARY EROSION CONTROL SEEDING		28000250
285	FOOT	TEMPORARY DITCH CHECKS		28000305
3	EACH	INLET AND PIPE PROTECTION		28000500
40	TON	AGGREGATE SURFACE COURSE, TYPE B		40200800
700	TON	AGGREGATE SHOULDERS, TYPE B		48101200
26	FOOT	PIPE CULVERT REMOVAL		50105220
40	FOOT	PIPE CULVERTS, CLASS D, TYPE 2 36"	*	542D1081
40	FOOT	PIPE CULVERTS, CLASS D, TYPE 1 EQUIVALENT ROUND-SIZE 30"	*	542D5485
184	FOOT	INSERTION CULVERT LINER 36"	*	54390230
2,025	FOOT	STEEL PLATE BEAM GUARDRAIL, TYPE A, 6 FOOT POSTS		63000001
4	EACH	TRAFFIC BARRIER TERMINAL, TYPE 1 (SPECIAL) TANGENT		63100167
2,200	FOOT	GUARDRAIL REMOVAL	*	63200310
1	L SUM	MOBILIZATION		67100100
4	EACH	TERMINAL MARKER - DIRECT APPLIED	*	78201000
30	CU YD	FILLING EXISTING CULVERTS	*	Z0023500
184	FOOT	STEEL CASINGS 42"	*	Z0068400
60	TON	STONE RIPRAP, CLASS A4 (SPECIAL)	*	X2810208
1	L SUM	TRAFFIC CONTROL AND PROTECTION, (SPECIAL)	*	X7010216

BENCHING DETAIL

