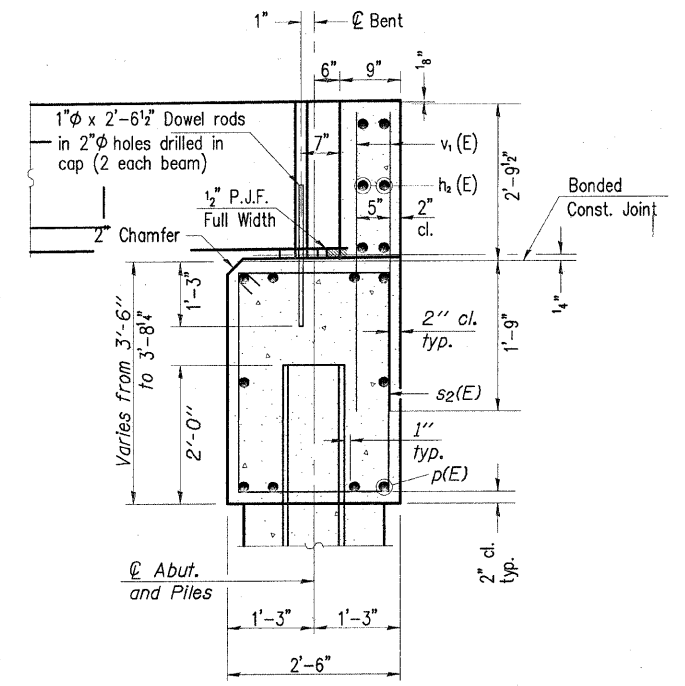
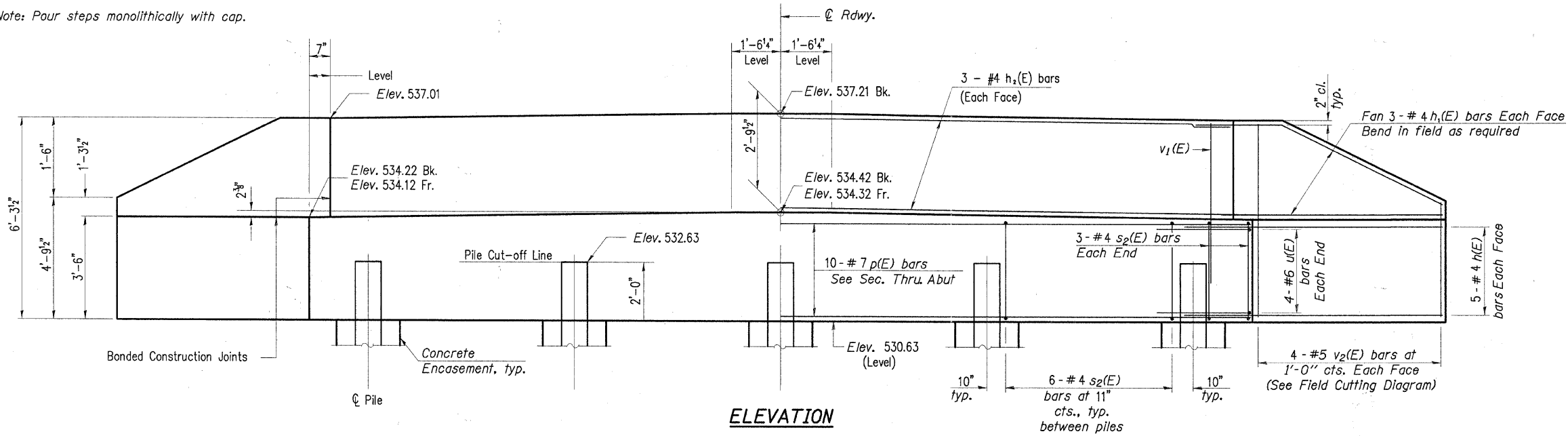


ROUTE	SECTION	COUNTY	TOTAL SHEETS	SHEET NO.
T.R. 11	05-04122-00-BR	JASPER	14	9
CONTRACT NO. 95491		ILLINOIS	PROJECT BROS-079(133)	

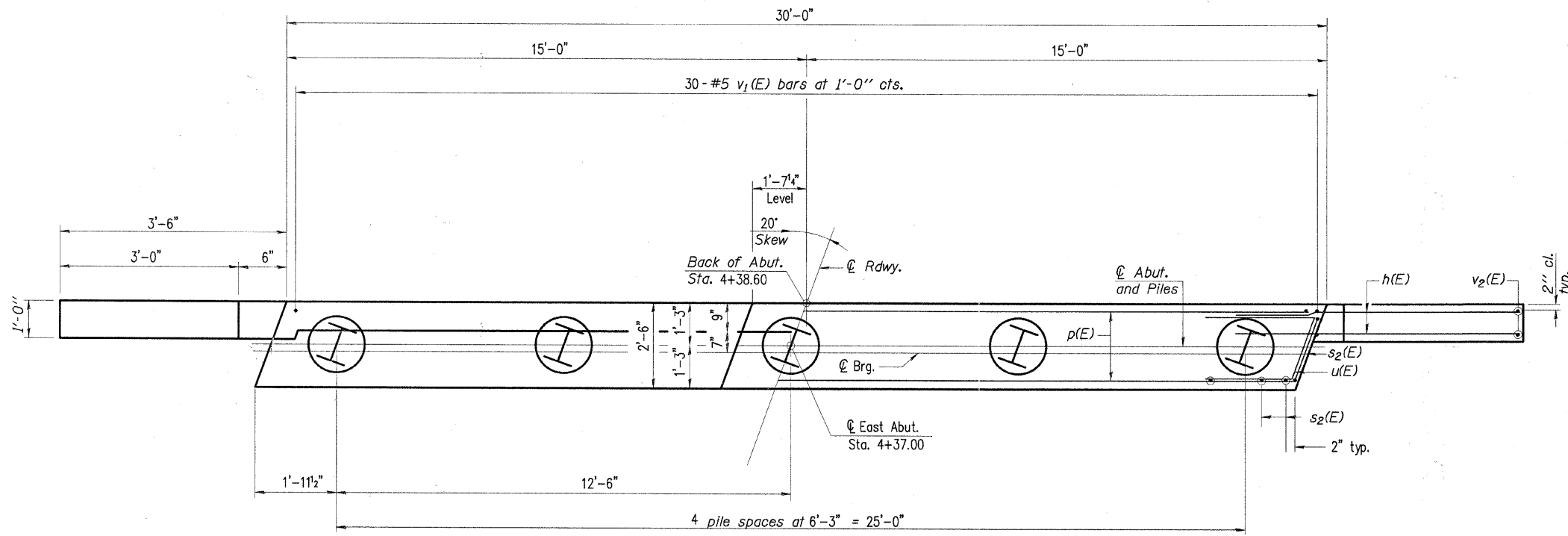
Note: Pour steps monolithically with cap.



SEC. THRU ABUT.

BILL OF MATERIAL

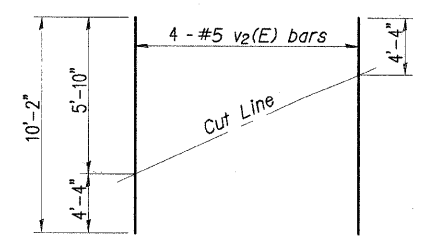
Bar	No.	Size	Length	Shape
h(E)	20	#4	5'-0"	—
h1(E)	12	#4	5'-3"	—
h2(E)	6	#4	29'-8"	—
p(E)	10	#7	29'-8"	—
s2(E)	30	#4	11'-5"	□
u(E)	8	#6	11'-3"	—
v1(E)	60	#5	4'-5"	—
v2(E)	8	#5	10'-2"	—
Concrete Structures			Cu. Yd.	16.0
Reinforcement Bars, Epoxy Coated			Pound	1560
Furnishing Steel Piles HP 10X42			Foot	120
Driving Piles			Foot	120
Test Pile			Each	1
Concrete Encasement			Cu. Yd.	1.8
Pile Shoes			Each	4



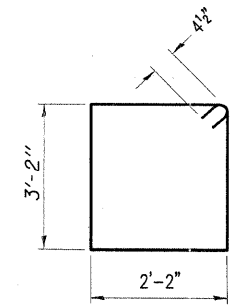
PLAN

PILE DATA

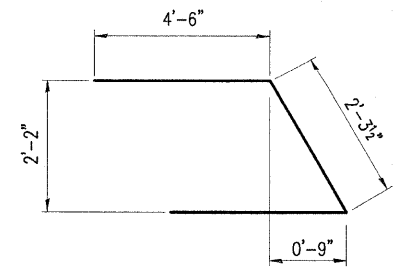
Type: HP 10X42
 Nominal Required Bearing: 325 kips
 Factored Resistance Available: 170 kips
 Est. Length: 30 Feet
 No. Production Piles: 4
 No. Test Piles: 1



FIELD CUTTING DIAGRAM
 Order v2(E) full length. Cut as shown and use remainder of bars in opposite face.



BAR s2(E)



BAR u(E)

- Notes:
- The Backwall and the portion of the Wingwalls above the bonded construction joint shall be cast against the in-place beam.
 - Space reinforcement in cap to miss anchor bolts.
 - The test pile shall be driven to 110 percent of the Nominal Required Bearing indicated in the pile data information.

ABUTMENTS

For details of piles and Concrete Encasement, see sheet 10 of 14.

CHARLESTON ENGINEERING, INC.
 CONSULTING ENGINEERS
 105 NORTH KITCHELL
 P.O. BOX 397
 QUINCY, ILLINOIS 62450
 (618) 392-0736
ILLINOIS DEPARTMENT OF PROFESSIONAL REGULATION REGISTRATION #184.003510

EAST ABUTMENT DETAILS
 STRUCTURE NO. 040-3254
 T.R. 11
 OVER ISLAND CREEK
 SECTION 05-04122-00-BR
 JASPER COUNTY
 STATION 4+00.00