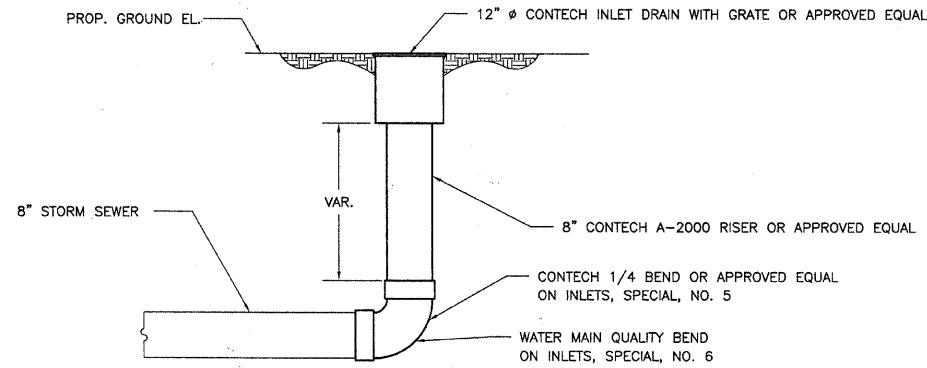


ROUTE	SECTION	CITY	TOTAL SHEETS	SHEET NO.
F.A.U. 8526	10-00054-00-PV	FLORA	34	5
CONTRACT NO. 95672		ILLINOIS	PROJECT M-5023(011)	



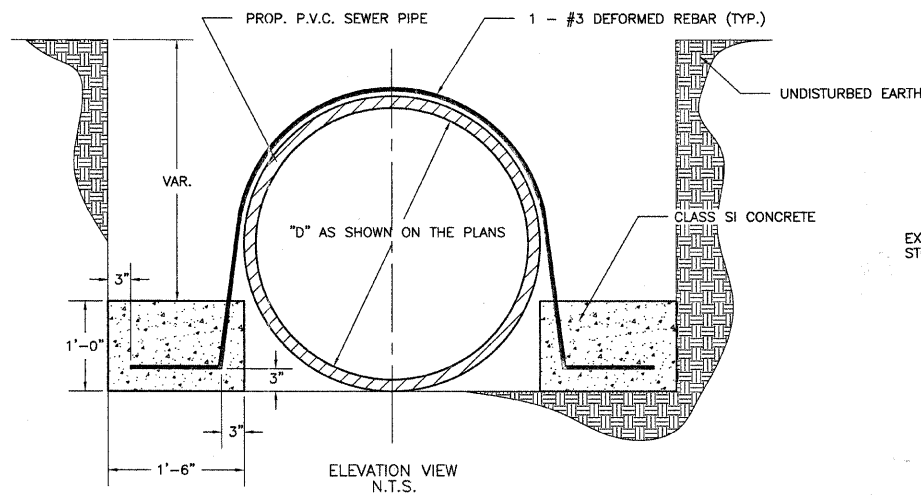
INLETS, SPECIAL, NO. 5

RT. STA. 7+00
RT. STA. 10+50
RT. STA. 15+95
RT. STA. 16+70
RT. STA. 18+15
RT. STA. 23+68
RT. STA. 25+75

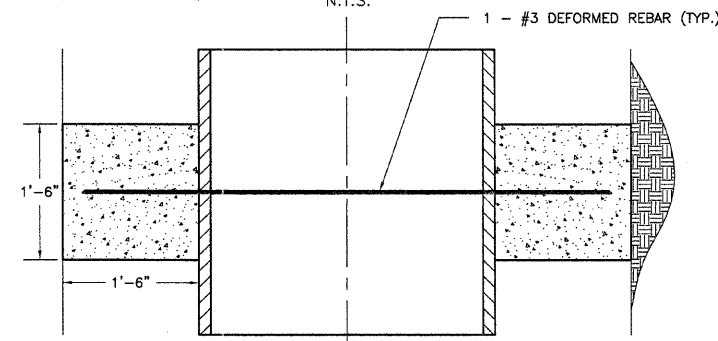
INLETS, SPECIAL, NO. 6

RT. STA. 14+76

NOTE: RISER PIPE LENGTHS INCLUDED IN ITEMS "INLETS, SPECIAL, NO. 5 & 6"



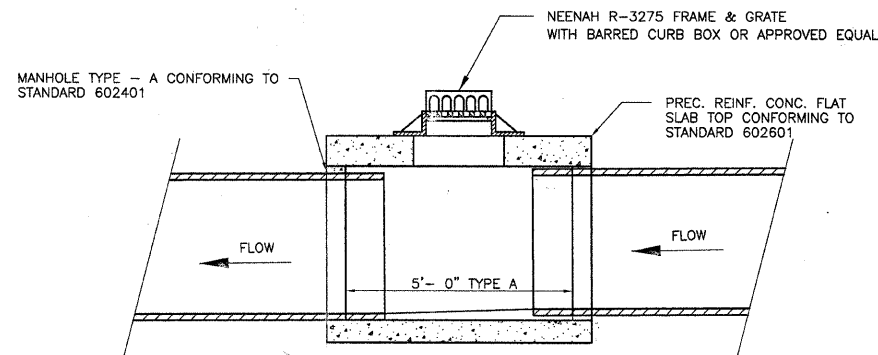
ELEVATION VIEW
N.T.S.



PLAN VIEW
N.T.S.

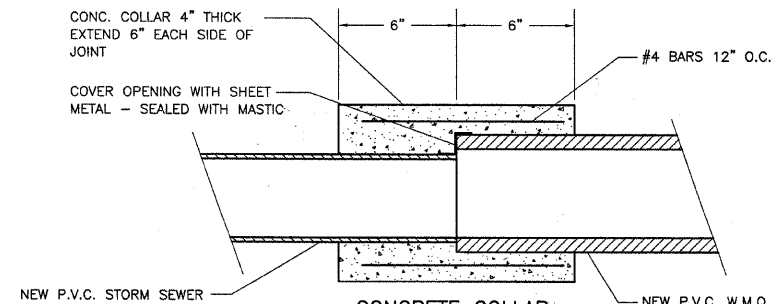
TIE-DOWN DEVICES

LT. STA. 0+85
LT. STA. 0+94
LT. STA. 1+02
LOCATED EVERY 15' O.C. AT THE FOLLOWING LOCATIONS:
LT. STA. 2+22 TO 2+97 LT. STA. 10+43 TO 10+58
LT. STA. 3+65 TO 4+15 LT. STA. 10+91 TO 11+06
LT. STA. 4+50 TO 4+80 LT. STA. 11+54 TO 11+99
LT. STA. 5+22 TO 5+97 LT. STA. 14+22 TO 14+52
LT. STA. 7+16 TO 7+91 LT. STA. 15+50 TO 15+95
LT. STA. 9+62 TO 10+07 LT. STA. 16+56 TO 18+06



MANHOLES, TYPE A, 5'-DIAMETER, WITH SPECIAL FRAME AND GRATE

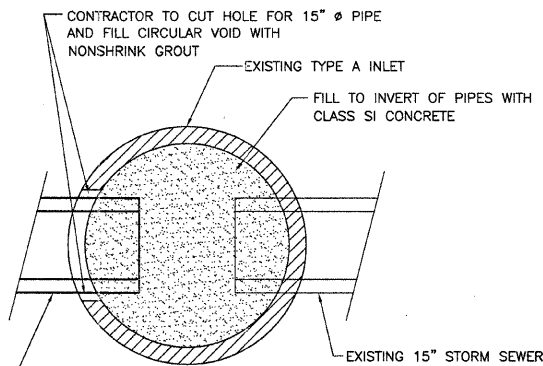
LT. STA. 1+46



CONCRETE COLLAR

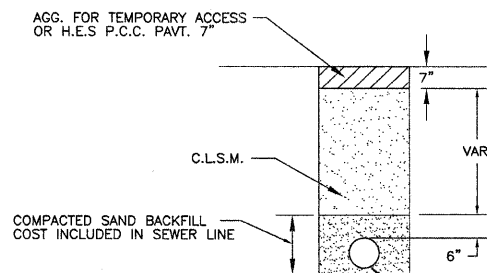
STA. 1+16 - 16' LT. STA. 18+01 - 20' LT.
STA. 1+17 - 18' RT. STA. 21+29 - 20' LT.
STA. 14+57 - 20' LT. STA. 21+50 - 20' LT.
STA. 14+77 - 20' LT. STA. 24+36 - 21' LT.
STA. 17+80 - 20' LT. STA. 24+56 - 21' LT.

NOTE: QUANTITY OF CONCRETE FOR EACH COLLAR LOCATION IS 0.15 CU YD CONCRETE



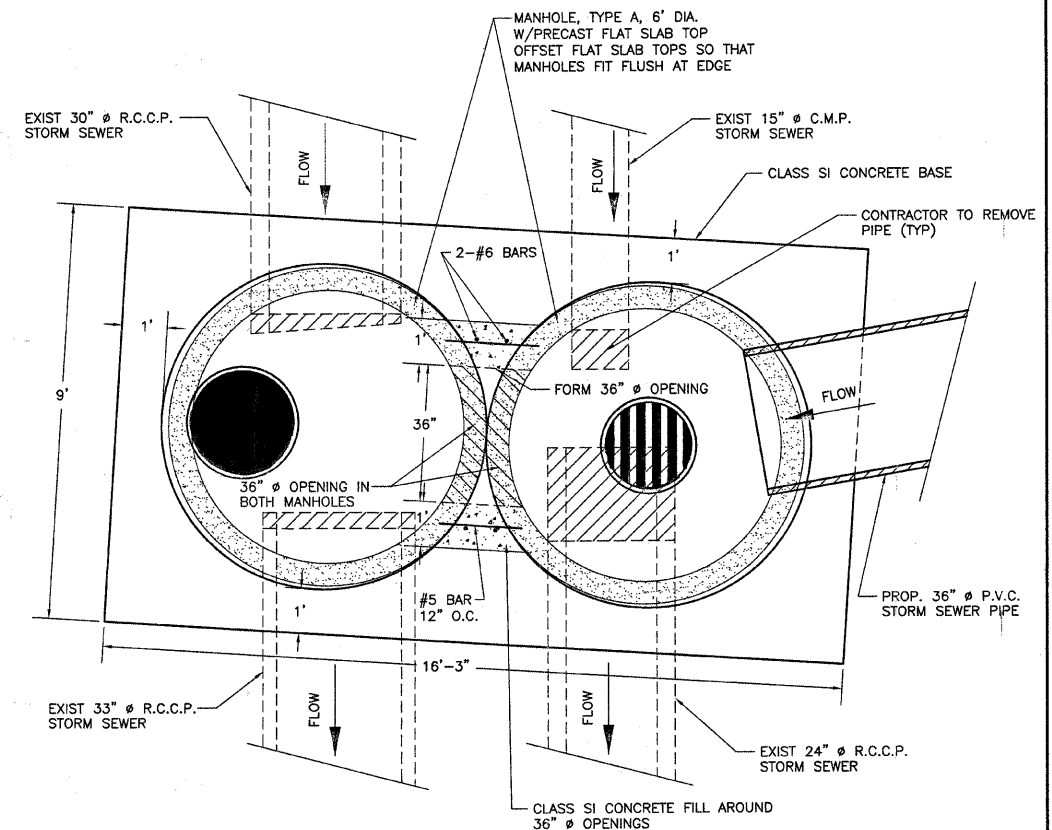
STORM SEWER CONNECTION

LT. STA. 27+38



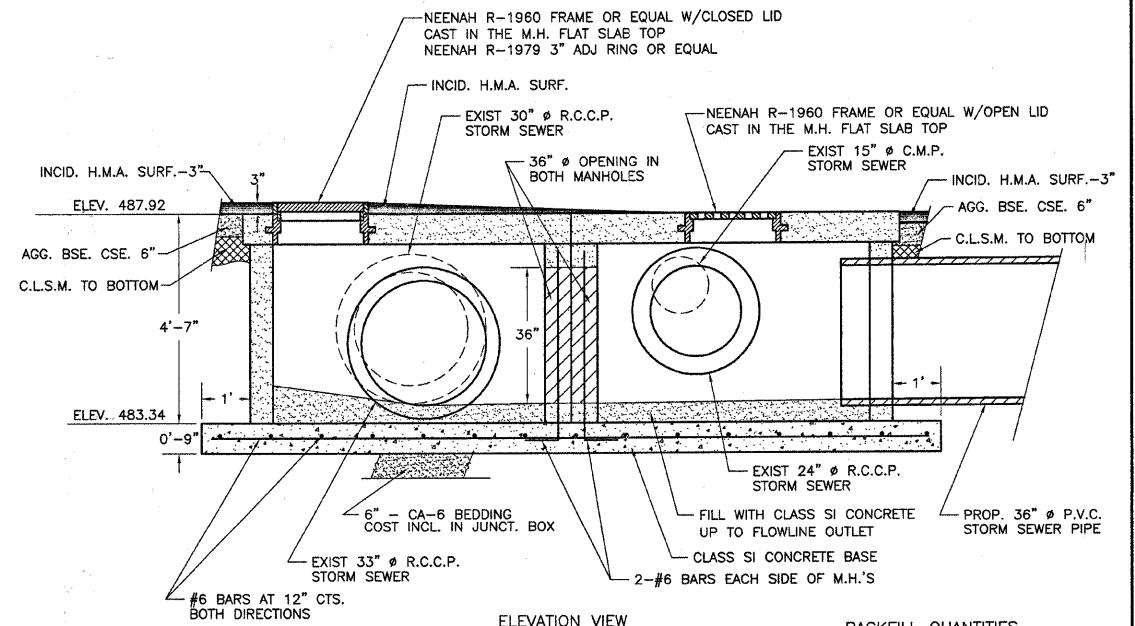
A.R. TRENCH DETAIL

LT. STA. 0+74 TO 0+98 (A.R. SAN. SEW.)
LT. STA. 0+81 TO 1+07 (A.R. ST. SEW.)



PLAN VIEW
N.T.S.

1. FIELD DRILL HOLES IN PRECAST MANHOLES FOR THE #5 BARS.



ELEVATION VIEW
N.T.S.

1. THE EDGE OF THE EXCAVATION SHALL BE SAW CUT FOR A STRAIGHT CONST. JOINT.

BACKFILL QUANTITIES

INCID. H.M.A. SURF 10 TON
AGG. BSE. CSE. B 10 TON
C.L.S.M. 30 C.Y.
THE BACKFILL ITEMS SHALL BE PAID FOR SEPARATELY AND ARE INCLUDED IN THE SUMMARY OF QUANTITIES.

JUNCTION BOX

LT. STA. 0+72