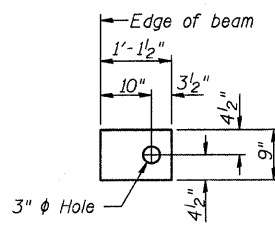


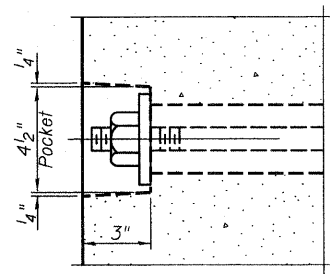
FABRIC BEARING PAD
(Interior)



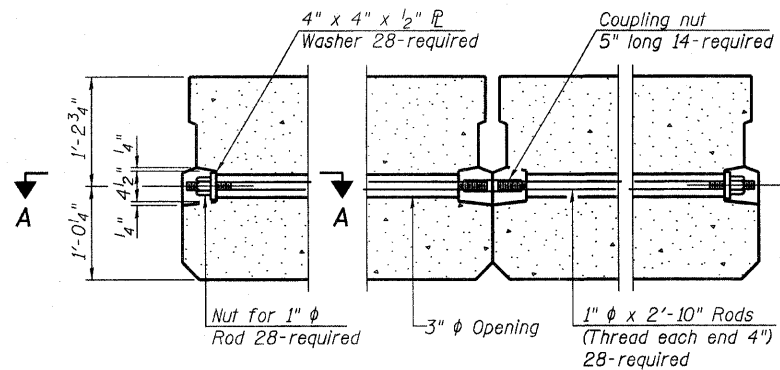
FABRIC BEARING PAD
(Exterior)

FIXED

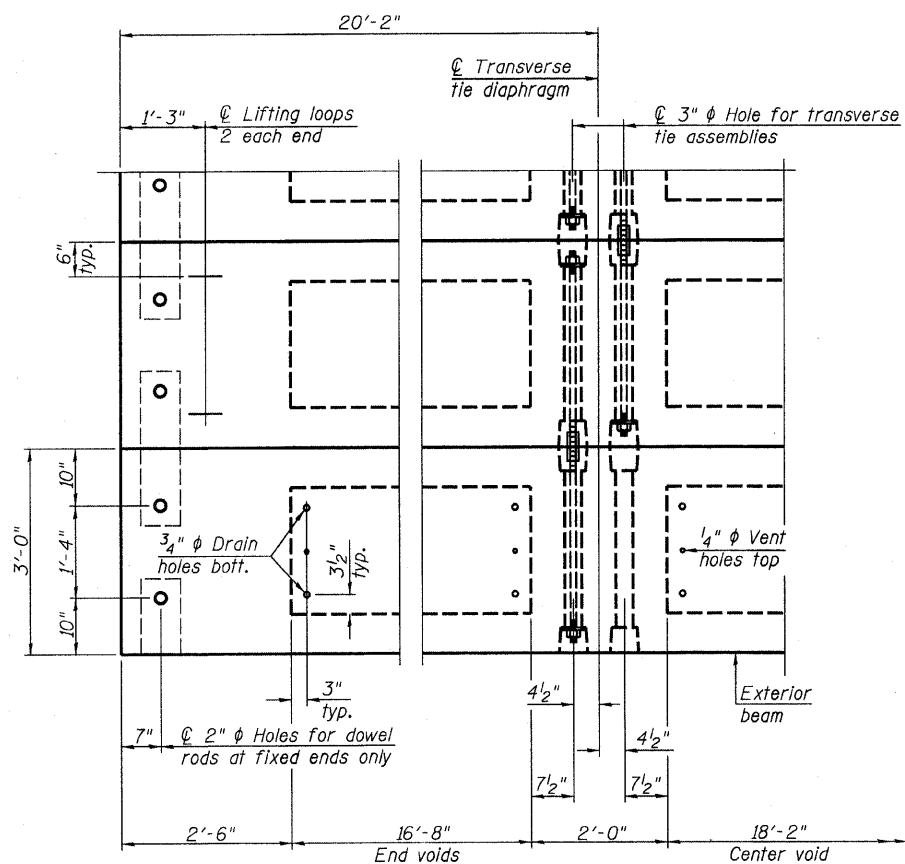
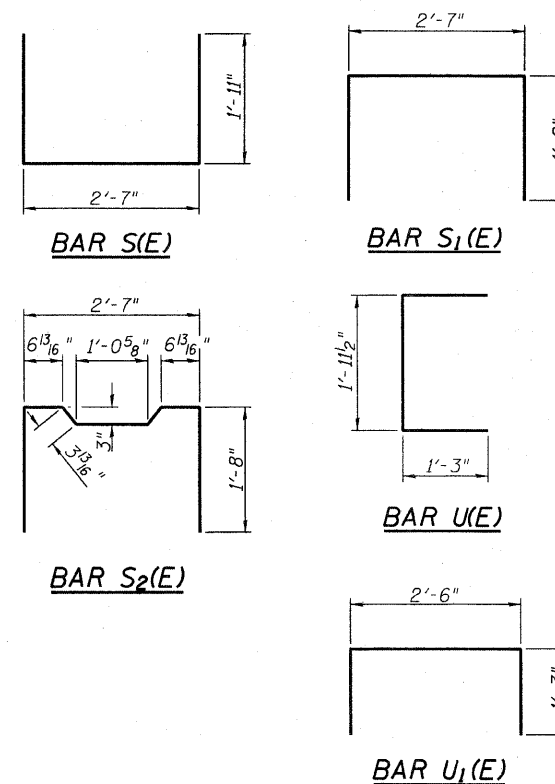
Note: All bearing pads shall be 1" thick.



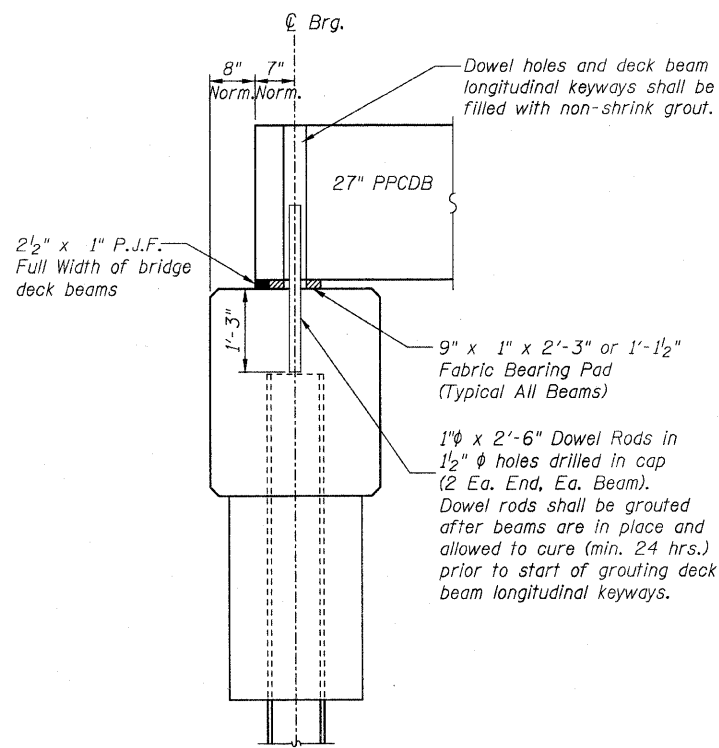
SECTION A-A



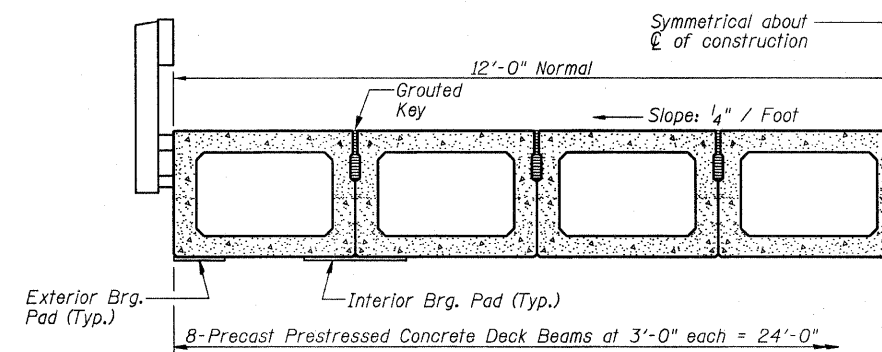
TYPICAL TRANSVERSE TIE ASSEMBLY



PLAN VIEW



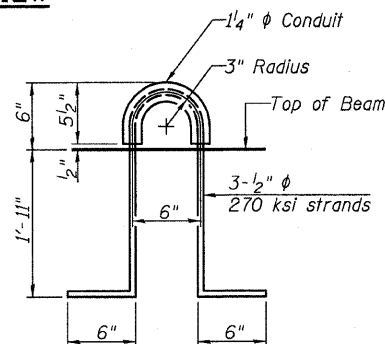
FIXED BEARING ABUTMENT



HALF CROSS SECTION

See Sheet 7 for the details showing the spacing and mounting of posts and rails to the PPCDB.

Note: Connect beams in pairs with the transverse tie configuration shown.



LIFTING LOOP DETAIL

NOTES

- Prestressing steel shall be uncoated high strength, low relaxation 7-wire strand, Grade 270. The nominal diameter shall be 1/2 inch and the nominal cross-sectional area shall be 0.153 sq. in. The 1 inch diameter rods in the transverse tie assembly shall be tightened to a snug fit and the threads set. Pockets on exterior faces of bridge shall be filled with grout after transverse tie assembly is in place.
- Reinforcement bars shall conform to ASTM A 706 (IL Modified), Grade 60.
- Two 1/8 inch fabric adjusting shims of the dimensions of the exterior bearing pad shall be provided for each bearing pad location.
- A minimum 2 1/2 inch diameter lifting pin shall be used to engage the lifting loops during handling.
- Corrosion Inhibitor, per Article 1020.05(b)(12) and 1021.06 of the Standard Specifications, shall be used in the concrete for precast prestressed concrete deck beams.
- Compressive strength of prestressed concrete, $f'c$, shall be 6000 psi.
- Compressive strength of prestressed concrete at release, $f'ci$, shall be 5000 psi.

BILL OF MATERIAL

| | | |
|---|---------|------|
| Precast Prestressed Conc. Deck Bms. (27" depth) | Sq. Ft. | 1452 |
|---|---------|------|

02/10/2012 RAAI #51509

RHUTASEL and ASSOCIATES, INC.
CONSULTING ENGINEERS • LAND SURVEYORS
CENTRALIA, ILLINOIS FREEBURG, ILLINOIS
ILLINOIS DESIGN FIRM LICENSE NO. 184-000287

| | |
|-------------------|-----------|
| DESIGNED - GLH | REVISED - |
| DRAWN - JN | REVISED - |
| CHECKED - GLH | REVISED - |
| DATE - 02/10/2012 | REVISED - |

STATE OF ILLINOIS
DEPARTMENT OF TRANSPORTATION

PRECAST PRESTRESSED CONCRETE DECK BEAM DETAILS
STRUCTURE NO. 061-3314

| ROUTE | SECTION | COUNTY | TOTAL SHEETS | SHEET NO. |
|--------------------|----------------|--------|--------------|-----------|
| TR 304A | 09-07116-00-BR | MARION | 11 | 6 |
| CONTRACT NO. 97491 | | | | |

ILLINOIS FED. AID PROJECT