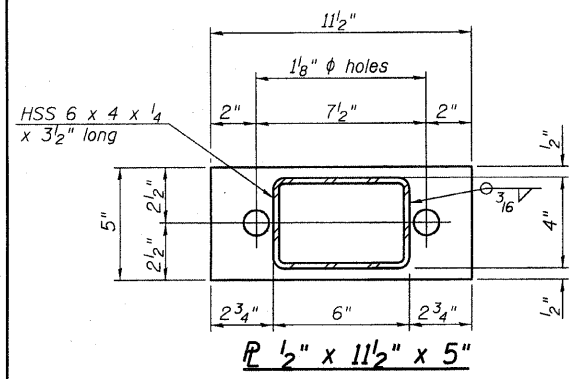
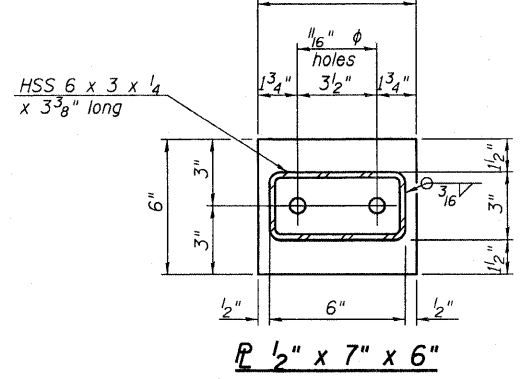


RAIL POST SPACING

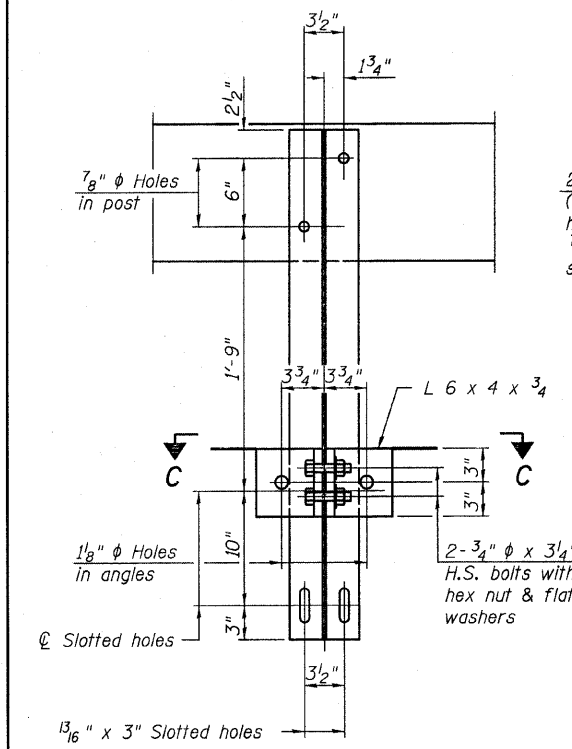
Note: The cost of the Curled End Sections shall be included in the contract unit price per foot for "STEEL RAILING, TYPE S1", and no additional compensation will be allowed.



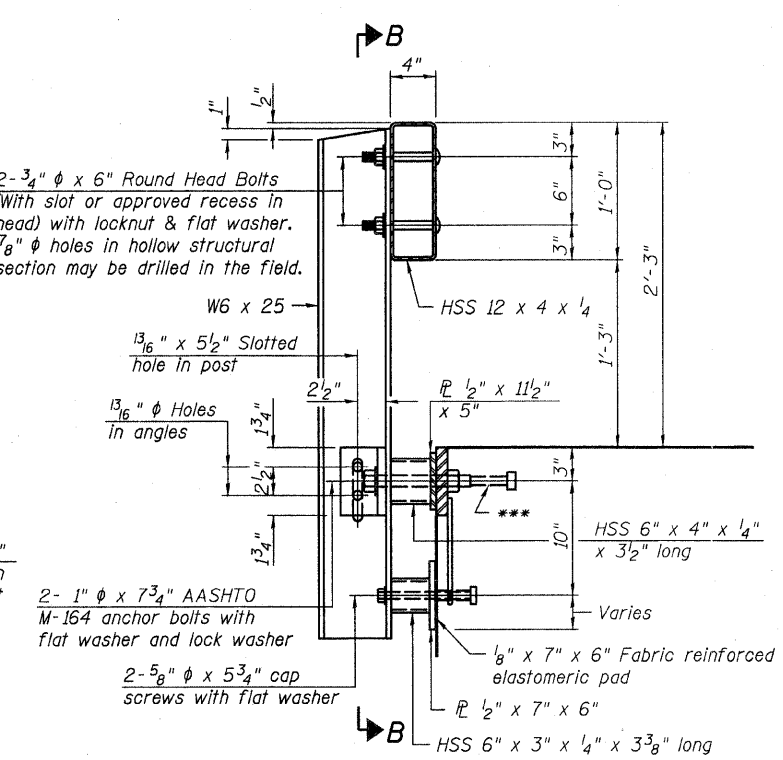
P 1/2" x 11 1/2" x 5"



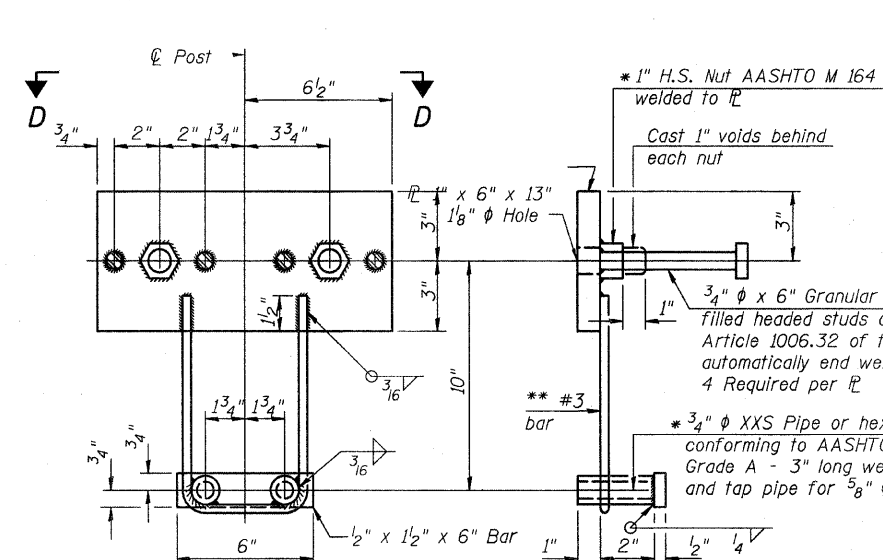
P 1/2" x 7" x 6"



SECTION C-C

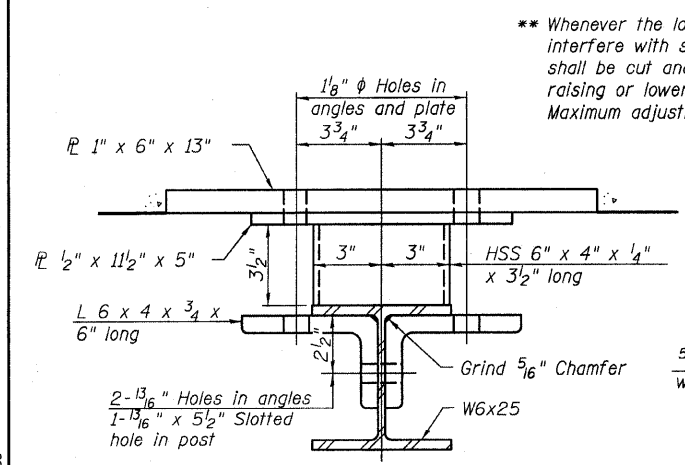


SECTION AT RAILING POST

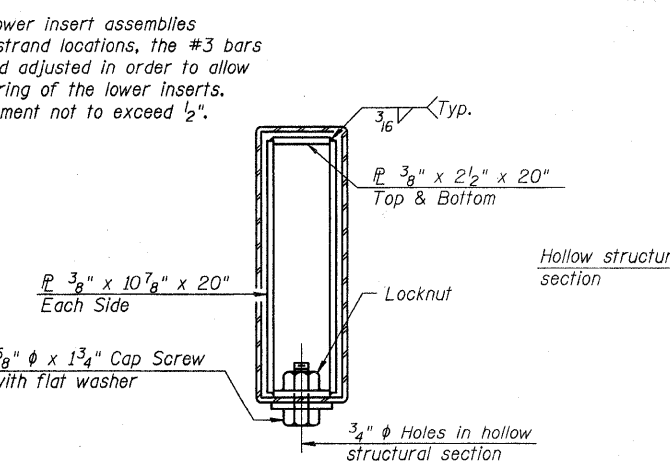


ANCHOR DEVICE

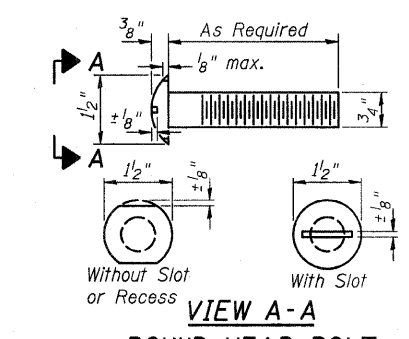
* Threaded areas shall be plugged or blocked off during casting of beam.



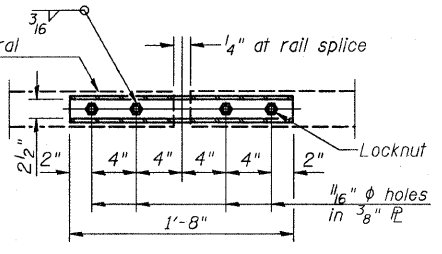
SECTION C-C



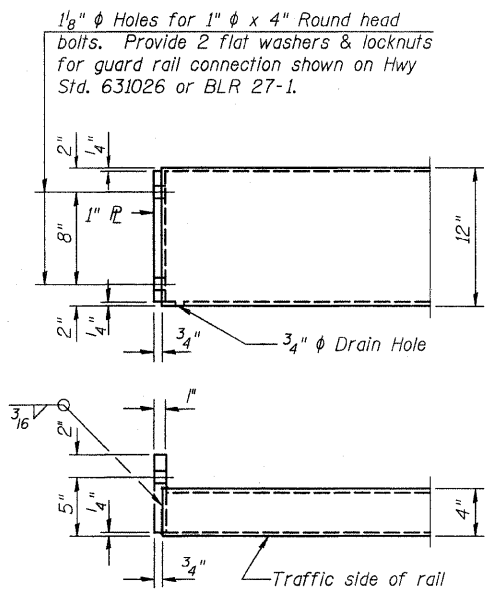
SECTIONS AT RAIL SPLICE



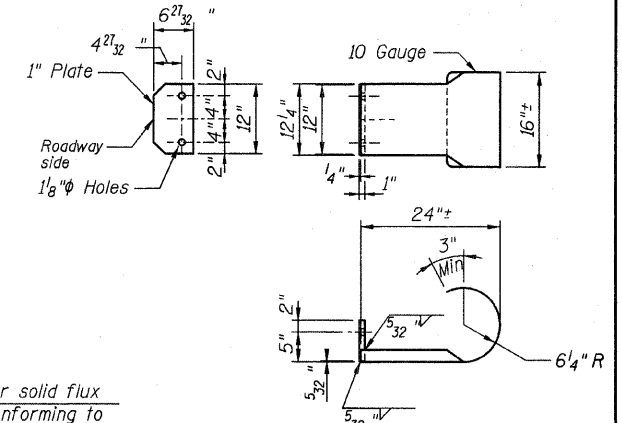
VIEW A-A ROUND HEAD BOLT



PLAN-BOTT. SPLICE P TYPICAL

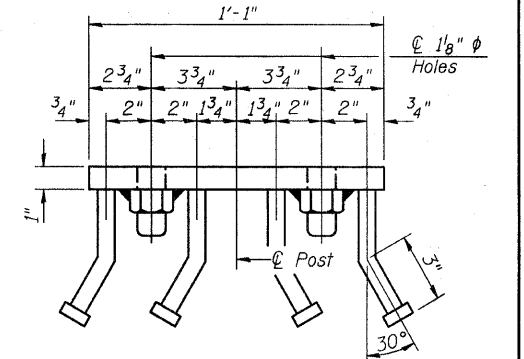


END OF RAIL DETAILS



CURLED END SECTION DETAILS

Notes:
 All field drilled holes shall be coated with an approved zinc rich paint before erection.
 All steel rail elements shall be galvanized according to Article 509.05 of the Standard Specifications.
 *** The studs of the anchor devices shall be placed below the top reinforcement bars and the outermost longitudinal reinforcement bar shall be placed directly above the studs of the rail post anchor device.



VIEW D-D

BILL OF MATERIAL

Item	Unit	Quantity
Steel Railing, Type S1	Foot	124

02/10/2012 RAAI #515009

RHUTASEL and ASSOCIATES, INC.
 CONSULTING ENGINEERS • LAND SURVEYORS
 CENTRALIA, ILLINOIS FREEBURG, ILLINOIS
 ILLINOIS DESIGN FIRM LICENSE NO. 184-000287

DESIGNED - GLH	REVISED -
DRAWN - JN	REVISED -
CHECKED - GLH	REVISED -
DATE - 02/10/2012	REVISED -

STATE OF ILLINOIS
DEPARTMENT OF TRANSPORTATION

STEEL RAILING, TYPE S1 DETAILS
STRUCTURE NO. 061-3314

ROUTE	SECTION	COUNTY	TOTAL SHEETS	SHEET NO.
TR 304A	09-07116-00-BR	MARION	11	7
CONTRACT NO. 97491				
ILLINOIS FED. AID PROJECT				