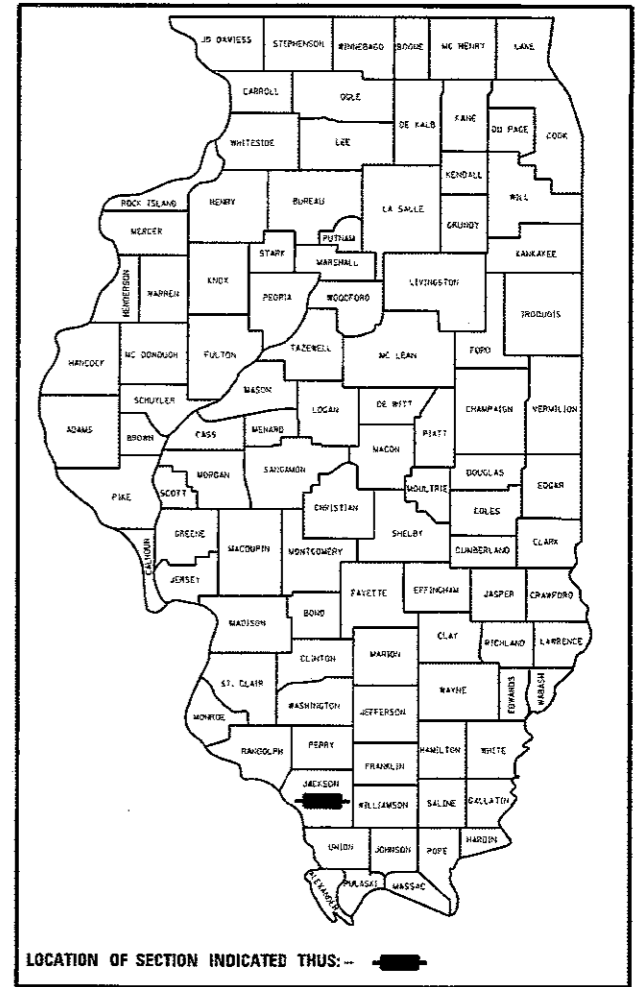


STATE OF ILLINOIS
DEPARTMENT OF TRANSPORTATION

F.A.P. RTE.	SECTION	COUNTY	TOTAL SHEETS	SHEET NO.
873	D9 PAVT PRESERVATION 2018-1	JACKSON	10	1
		ILLINOIS	CONTRACT NO. 78642	

D-99-031-18

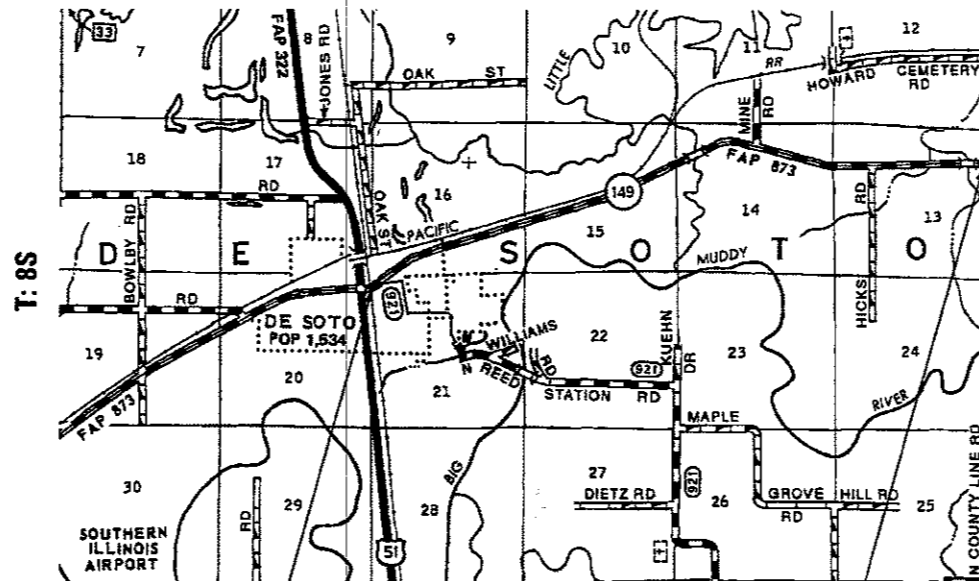


**PROPOSED
HIGHWAY PLANS**

FAP ROUTE 873 (IL 149)
SECTION D9 PAVT PRESERVATION 2018-1
PROJECT
MICRO-SURFACING
JACKSON COUNTY

C-99-057-18

R: 1W



PROP. IMPROVEMENT BEGINS
STA 1+20 FAP 873 (IL 149)
EAST EDGE OF RAILROAD
TRACKS IN DESOTO

PROP. IMPROVEMENT ENDS
STA 135A+55 FAP 873 (IL 149)
BUTT JOINT AT
WILLIAMSON COUNTY LINE

GROSS LENGTH = 23177.80 FT. = 4.390 MILES
NET LENGTH = 22897.10 FT. = 4.337 MILES

FOR INDEX OF SHEETS, SEE SHEET NO. 3

FOR SUMMARY OF QUANTITIES, SEE SHEET NO. 4-5

TRAFFIC DATA - (2017 ADT)

IL 149 (BEGINNING OF JOB TO E WASHINGTON STREET) - 3500 WITH 5.1% TRUCKS
IL 149 (E WASHINGTON ST TO MINE RD) - 3850 WITH 12.1% TRUCKS
IL 149 (MINE RD TO END OF JOB) - 3250 WITH 10.5% TRUCKS

TOWNSHIP
DESOTO

POSTED SPEED

30 MPH - BEGINNING OF JOB TO OAK STREET
40 MPH - OAK STREET TO END OF TOWN
55 MPH - END OF TOWN TO END OF JOB

BRIDGE OMISSION

STA 29A+21.7 TO STA 32A+02.4

STATION EQUATIONS

STA 34+50.4 BK = STA 34+28 AH
STA 50+47 BK = STA 51+00 AH
STA 113+78.4 BK = STA 16A+37.4 AH
STA 127A+32 BK = STA 126A+99.6 AH

J.U.L.I.E.
JOINT UTILITY LOCATION INFORMATION FOR EXCAVATION
1-800-892-0123
OR 811

PROJECT ENGINEER: SUSAN POE
PROJECT DESIGNER: JARED HARP

CONTRACT NO. 78642

STATE OF ILLINOIS
DEPARTMENT OF TRANSPORTATION

SUBMITTED Jan 24 2018

Jeffrey L. Keiser
REGION FIVE ENGINEER

Mar 23 2018
See E.A. Elk
ENGINEER OF DESIGN AND ENVIRONMENT

Mar 29 2018
Paul P. [Signature]
DIRECTOR OF HIGHWAYS PROJECT IMPLEMENTATION

PRINTED BY THE AUTHORITY
OF THE STATE OF ILLINOIS

MODEL: Default
 FILE NAME: p:\110848\BND\INTEG\Illinois.pw\PWIDOT\Document\AID\DOT_Offices\District_9\Projects\178642\CAD\Sheet\178642-Sheets.dgn

Prepared By: 
 DISTRICT STUDIES & PLANS ENGINEER

Examined By: 
 DISTRICT LAND ACQUISITION ENGINEER

Examined By: 
 DISTRICT PROGRAM DEVELOPMENT ENGINEER

Examined By: 
 DISTRICT OPERATIONS ENGINEER

Examined By: 
 DISTRICT PROJECT IMPLEMENTATION ENGINEER

Examined By: 
 DISTRICT CONSTRUCTION ENGINEER

Examined By: 
 DISTRICT MATERIALS ENGINEER

USER NAME = harpia	DESIGNED -	REVISED -
	DRAWN -	REVISED -
PLOT SCALE = 100.0000' / in.	CHECKED -	REVISED -
PLOT DATE = 1/19/2018	DATE -	REVISED -

**STATE OF ILLINOIS
 DEPARTMENT OF TRANSPORTATION**

SIGNATURE SHEET

SCALE: SHEET OF SHEETS STA. TO STA.

F.A.P. RTE.	SECTION	COUNTY	TOTAL SHEETS	SHEET NO.
873	D9 PAVT PRESERVATION 2018-1	JACKSON	10	2
CONTRACT NO. 78642				
ILLINOIS FED. AID PROJECT				

INDEX OF SHEETS

SHEET NO	DESCRIPTION
1	COVER SHEET
2	SIGNATURE SHEET
3	INDEX OF SHEETS, GENERAL NOTES, AND LIST OF STANDARDS
4-5	SUMMARY OF QUANTITIES
6-7	IL 149 TYPICAL SECTIONS
8	MICRO-SURFACING SCHEDULE
9	PAVEMENT MARKING SCHEDULE
10	CROSSWALK PAVEMENT MARKING DETAIL

LIST OF STANDARDS

- 000001-06 STANDARD SYMBOLS, ABBREVIATIONS, AND PATTERNS
- 001006 DECIMAL OF AN INCH AND OF A FOOT
- 701301-04 LANE CLOSURE, TWO-LANE, TWO-WAY, SHORT TIME OPERATIONS
- 701306-04 LANE CLOSURE, TWO-LANE, TWO-WAY, SLOW MOVING OPERATIONS DAY ONLY, FOR SPEEDS 45 MPH OR MORE
- 701311-03 LANE CLOSURE TWO-LANE, TWO-WAY MOVING OPERATIONS, DAY ONLY
- 701901-07 TRAFFIC CONTROL DEVICES
- 780001-05 TYPICAL PAVEMENT MARKINGS

GENERAL NOTES

THE QUANTITY OF SHORT TERM PAVEMENT MARKING SHOWN IN THE PLANS IS BASED ON ONE APPLICATION EACH FOR THE PAVEMENT MARKING REMOVAL AND THE MICROSURFACING.

PRIOR TO PLACEMENT OF THE FINAL PAVEMENT MARKINGS THE RESIDENT ENGINEER SHALL CONTACT THE BUREAU OF OPERATIONS AND ARRANGE FOR INSPECTION AND APPROVAL OF THE PAVEMENT MARKING LAYOUT.

THE CONTRACTOR SHALL PRESERVE EXISTING STAMP STATIONING

REVISE STANDARD SPECIFICATIONS ARTICLE 107.12, PARAGRAPH 5, LAST SENTENCE TO READ: 'ALL OTHER RAILROAD FLAGGER COSTS WILL BE INCURRED BY THE DEPARTMENT ACCORDING TO ARTICLE 109.05.'

A CONTRACTOR'S RIGHT-OF-ENTRY PERMIT IS REQUIRED BEFORE ANY WORK CAN COMMENCE ON RAILROAD PROPERTY. THE COST TO OBTAIN THIS PERMIT SHALL BE CONSIDERED INCIDENTAL TO THE PROJECT.

COMMITMENTS: NONE

MODEL: Default
 FILE NAME: P:\IL08\EBID\NTEC\Illinois.gov\PWIDOT\Documents\DOT_Offices\District 9\Projects\78642\CADD\data\CAD\Sheets\0978642_Sheets.dgn

USER NAME = harpja PLOT SCALE = 100.0000 ' / in. PLOT DATE = 2/7/2018	DESIGNED - DRAWN - CHECKED - DATE -	REVISED - REVISED - REVISED - REVISED -	STATE OF ILLINOIS DEPARTMENT OF TRANSPORTATION	INDEX OF SHEETS, GENERAL NOTES, AND LIST OF STANDARDS	F.A.P. RTE. 873	SECTION 09 PAVT PRESERVATION 2018-1	COUNTY JACKSON	TOTAL SHEETS 10	SHEET NO. 3
SCALE: SHEET OF SHEETS STA. TO STA.					ILLINOIS FED. AID PROJECT				

SUMMARY OF QUANTITIES

COUNTY:	JACKSON
ROUTE:	FAP 873 (IL 149)
FUNDING:	100% STATE
LOCATION:	RURAL
TOTAL QUANTITY	ROADWAY 0005

CODE NUMBER	ITEM DESCRIPTION	UNIT	TOTAL QUANTITY	ROADWAY 0005
40400001	FIBER-MODIFIED ASPHALT CRACK SEALING	FOOT	68,691	68,691
40400114	MICRO-SURFACING, SINGLE PASS, TYPE II, MIXTURE D	SQ YD	66,092	66,092
40600290	BITUMINOUS MATERIALS (TACK COAT)	POUND	14,871	14,871
67100100	MOBILIZATION	L SUM	1	1
70100460	TRAFFIC CONTROL AND PROTECTION, STANDARD 701306	L SUM	1	1
70300100	SHORT TERM PAVEMENT MARKING	FOOT	4,636	4,636
70300150	SHORT TERM PAVEMENT MARKING REMOVAL	SQ FT	1,545	1,545
70300210	TEMPORARY PAVEMENT MARKING LETTERS AND SYMBOLS	SQ FT	61.2	61.2
70300220	TEMPORARY PAVEMENT MARKING - LINE 4"	FOOT	62,634	62,634
70300260	TEMPORARY PAVEMENT MARKING - LINE 12"	FOOT	54	54
70300280	TEMPORARY PAVEMENT MARKING - LINE 24"	FOOT	36	36
* 12 78001100	PAINT PAVEMENT MARKING - LETTERS AND SYMBOLS	SQ FT	61.2	61.2

* SPECIALTY ITEM

MODEL: Default
FILE NAME: \\P:\ILLINOIS\BENTLEY\EG\Illinois\gpr\PROJECT\Documents\11\DOT_Official\Drawings\9\Project\78642\CAD\Drawings\0978642-Sheets.dgn

USER NAME = harjja PLOT SCALE = 100.0000 / in. PLOT DATE = 2/7/2018	DESIGNED - DRAWN - CHECKED - DATE -	REVISED - REVISED - REVISED - REVISED -	STATE OF ILLINOIS DEPARTMENT OF TRANSPORTATION	SUMMARY OF QUANTITIES	F.A.P. RTE. 873	SECTION D9 PAVT PRESERVATION 2018-1	COUNTY JACKSON	TOTAL SHEETS 10	SHEET NO. 4
				SCALE: SHEET OF SHEETS STA. TO STA.	CONTRACT NO. 78642 ILLINOIS FED. AID PROJECT				

SUMMARY OF QUANTITIES - CONT

COUNTY:	JACKSON
ROUTE:	FAP 873 (IL 149)
FUNDING:	100% STATE
LOCATION:	RURAL
	ROADWAY
	0005

CODE NUMBER	ITEM DESCRIPTION	UNIT	TOTAL QUANTITY	
* 78001110	PAINT PAVEMENT MARKING - LINE 4"	FOOT	62,634	62,634
* 78001150	PAINT PAVEMENT MARKING - LINE 12"	FOOT	54	54
* 78001180	PAINT PAVEMENT MARKING - LINE 24"	FOOT	36	36
X0327979	PAVEMENT MARKING REMOVAL - GRINDING	SQ FT	21,026	21,026
X3000001	RRPM PROTECTION	EACH	290	290
X7030005	TEMPORARY PAVEMENT MARKING REMOVAL	SQ FT	21,080	21,080
Z0048665	RAILROAD PROTECTIVE LIABILITY INSURANCE	L SUM	1	1

* SPECIALTY ITEM

MODEL: Default
FILE NAME: \\0848EB10NTEG\Illinois.gov\FWIDOT\Documents\DOT Office\District 9\Projects\78642\Contract\Sheet\978642-Sheets.dgn

USER NAME = harppa	DESIGNED -	REVISED -
	DRAWN -	REVISED -
PLOT SCALE = 100.0000 / in.	CHECKED -	REVISED -
PLOT DATE = 2/7/2018	DATE -	REVISED -

**STATE OF ILLINOIS
DEPARTMENT OF TRANSPORTATION**

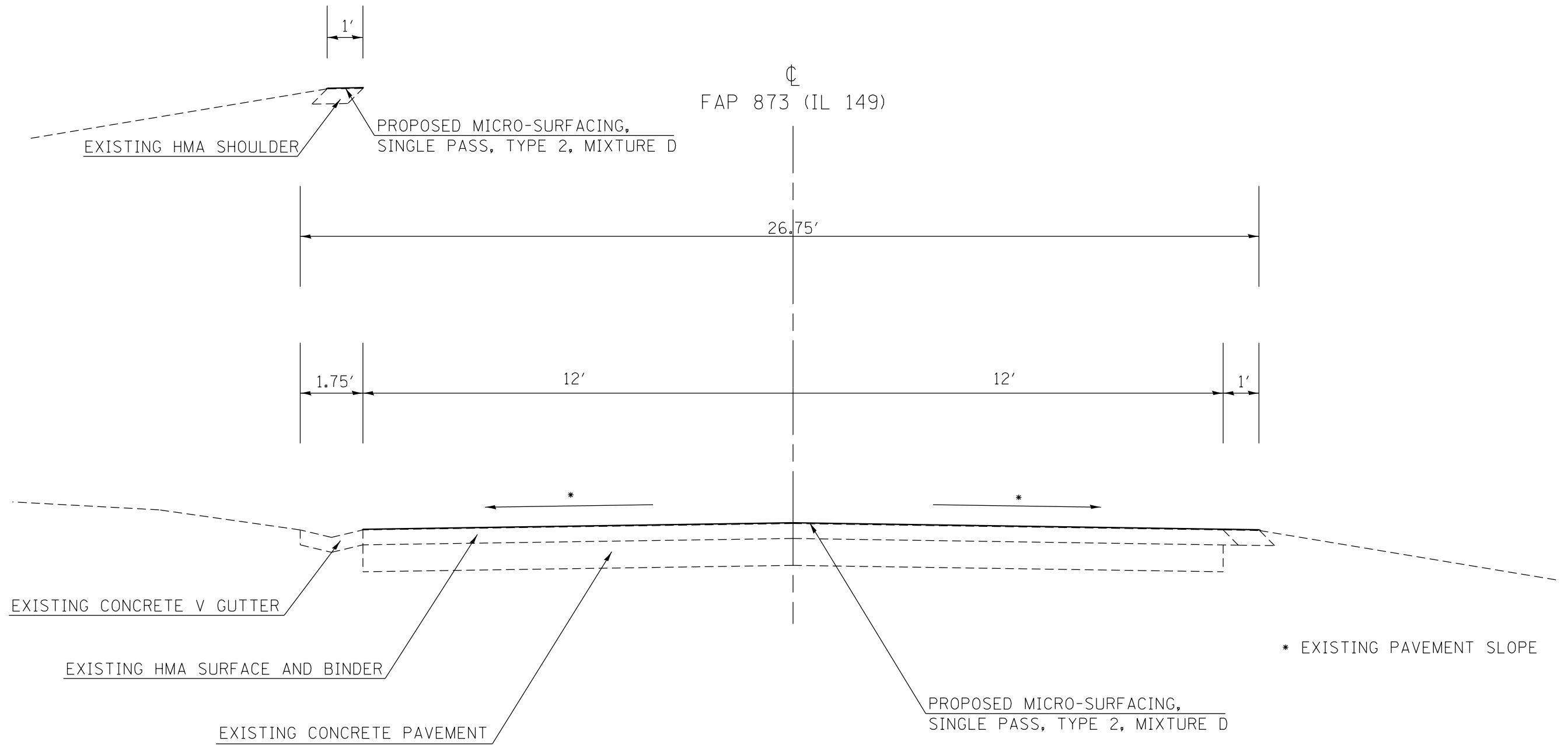
SUMMARY OF QUANTITIES

SCALE: SHEET OF SHEETS STA. TO STA.

F.A.P. RTE.	SECTION	COUNTY	TOTAL SHEETS	SHEET NO.
873	D9 PAVT PRESERVATION 2018-1	JACKSON	10	5
CONTRACT NO. 78642				
ILLINOIS FED. AID PROJECT				

TO BE USED:
STA. 1+20 TO STA 2+50

TYPICAL SECTION



TO BE USED:
STA. 1+20 TO STA 7+50

MODEL: Default
 FILE NAME: P:\IL\08\B&E\BIDD\TEC\Illinois.gov\PW\DOT\Documents\DOT_Offices\District 9\Projects\873\873_CADD\873_Sheets.dgn

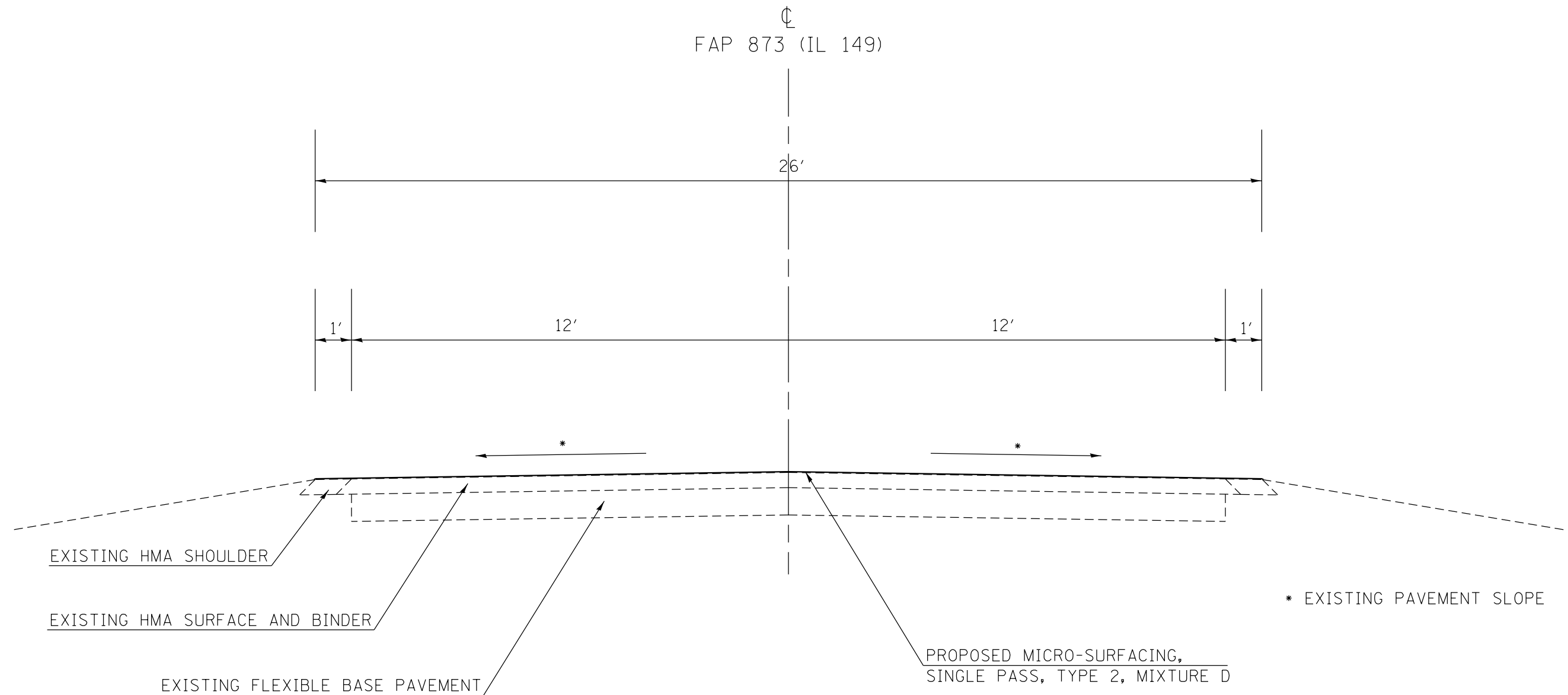
USER NAME = harpja	DESIGNED -	REVISED -
	DRAWN -	REVISED -
PLOT SCALE = 100.0000' / in.	CHECKED -	REVISED -
PLOT DATE = 2/7/2018	DATE -	REVISED -

**STATE OF ILLINOIS
DEPARTMENT OF TRANSPORTATION**

IL 149 TYPICAL SECTIONS				
SCALE:	SHEET	OF	SHEETS	STA. TO STA.

F.A.P. RTE.	SECTION	COUNTY	TOTAL SHEETS	SHEET NO.
873	09 PAVT PRESERVATION 2018-1	JACKSON	10	6
CONTRACT NO. 78642				
ILLINOIS		FED. AID PROJECT		

TYPICAL SECTION



TO BE USED:
STA. 7+50 TO STA 136A+37

STATION EQUATIONS
 STA 34+50.4 BK = STA 34+28 AH
 STA 50+47 BK = STA 51+00 AH
 STA 113+78.4 BK = STA 16A+37.4 AH
 STA 127A+32 BK = STA 126A+99.6 AH

MODEL: Default
 FILE: \\nas01.cas.usg.edu\BID\NTEC\Illinois\gov\PIWDOT\Documents\DOT_Offices\Director\9\Projects\78642\CADD\Drawings\78642_Sheets.dgn

USER NAME = harpja	DESIGNED -	REVISED -
	DRAWN -	REVISED -
PLOT SCALE = 100.0000' / in.	CHECKED -	REVISED -
PLOT DATE = 2/7/2018	DATE -	REVISED -

**STATE OF ILLINOIS
DEPARTMENT OF TRANSPORTATION**

IL 149 TYPICAL SECTIONS				
SCALE:	SHEET	OF	SHEETS	STA. TO STA.

F.A.P. RTE.	SECTION	COUNTY	TOTAL SHEETS	SHEET NO.
873	09 PAVT PRESERVATION 2018-1	JACKSON	10	7
CONTRACT NO. 78642				
ILLINOIS		FED. AID PROJECT		

MICRO-SURFACING SCHEDULE

LOCATION (STATION TO STATION)	LENGTH	MICRO-SURFACING, SINGLE PASS, TYPE II, MIXTURE D	FIBER-MODIFIED ASPHALT CRACK SEALING	BITUMINOUS MATERIALS (TACK COAT)	REMARKS
	FOOT	SQ YD	FOOT	POUND	
FAP 873 (IL 149)					
1+20 TO 2+50	130	376	390	85	BEGIN AT EAST EDGE OF RAILROAD TRACKS
2+50 TO 7+50	500	1389	1500	313	
7+50 TO 34+50.4 BK <i>STA EQ 34+50.4 BK = 34+28 AH</i>	2700	7801	8101	1755	
34+28 AH TO 50+47 BK <i>STA EQ 50+47 BK = 51+00 AH</i>	1619	4677	4857	1052	
51+00 AH TO 113+78.4 BK <i>STA EQ 113+78.4 BK = 16A+37.4 AH</i>	6278	18138	18835	4081	
16A+37.4 AH TO 29A+21.7 <i>BRIDGE OMISSION</i>	1284	3710	3853	835	039-0057
32A+02.4 TO 127A+32 BK <i>STA EQ 127A+32 BK = 126A+99.6 AH</i>	9530	27530	28589	6194	
126A+99.6 AH TO 135A+55	855	2471	2566	556	END AT BUTT JOINT AT WILLIAMSON COUNTY LINE
TOTALS	22897	66092	68691	14871	

MODEL: Default
 FILE: \\nas01c.pva\ill08a\EBID\NTEC\Illinois\gov\PIV\DOT\Documents\1\DOT_Offices\Director\9\Projects\78642\CADDData\CADD\Sheet\0978642_Sheets.dgn

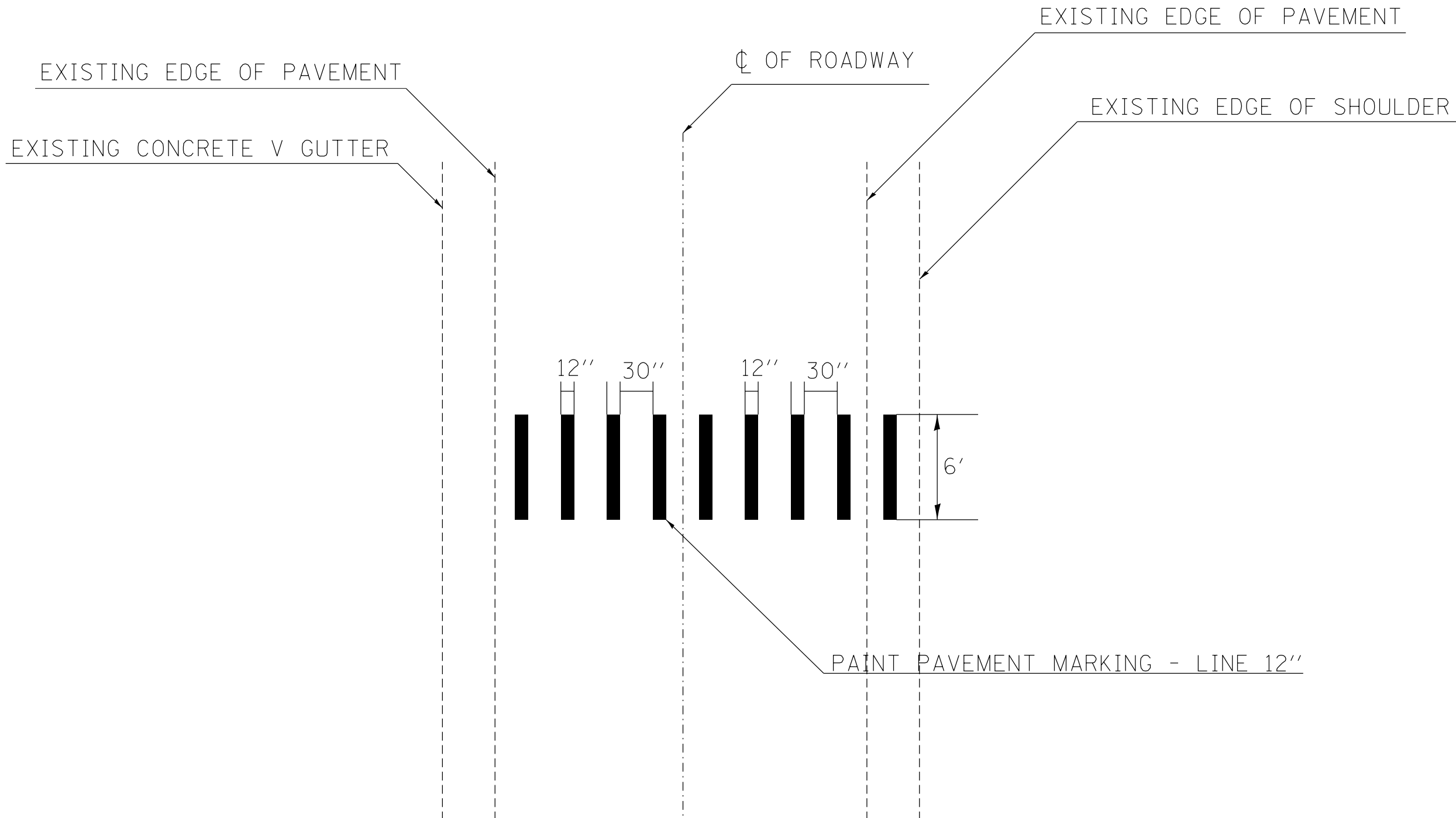
USER NAME = harpja	DESIGNED -	REVISED -
	DRAWN -	REVISED -
PLOT SCALE = 100,0000 ' / in.	CHECKED -	REVISED -
PLOT DATE = 2/7/2018	DATE -	REVISED -

**STATE OF ILLINOIS
DEPARTMENT OF TRANSPORTATION**

MICRO-SURFACING SCHEDULE

SCALE: SHEET OF SHEETS STA. TO STA.

F.A.P. RTE.	SECTION	COUNTY	TOTAL SHEETS	SHEET NO.
873	09 PAVT PRESERVATION 2018-1	JACKSON	10	8
CONTRACT NO. 78642				
ILLINOIS FED. AID PROJECT				



SPACE CROSSWALK PAVEMENT MARKING
EVENLY ACROSS LANES
DRAWING NOT TO SCALE

MODEL: Default
FILE: \\nas01.c:\p\1108\BEBID\NTEC\Illinois\gov\PIV\DOT\Documents\DOT_Offices\Director\9\Projects\78642\CADD\Drawings\CAD\Drawings\78642_Sheets.dgn

USER NAME = harpja	DESIGNED -	REVISED -
	DRAWN -	REVISED -
PLOT SCALE = 100.0000' / in.	CHECKED -	REVISED -
PLOT DATE = 2/7/2018	DATE -	REVISED -

**STATE OF ILLINOIS
DEPARTMENT OF TRANSPORTATION**

CROSSWALK PAVEMENT MARKING DETAIL

SCALE: SHEET OF SHEETS STA. TO STA.

F.A.P. RTE.	SECTION	COUNTY	TOTAL SHEETS	SHEET NO.
873	09 PAVT PRESERVATION 2018-1	JACKSON	10	10
ILLINOIS FED. AID PROJECT			CONTRACT NO. 78642	