

SUMMARY OF QUANTITIES				CONSTRUCTION TYPE CODE			
CODE NO	ITEM	UNIT	TOTAL QUANTITIES	IL 72	I-190 RAMP		
				0005	0005	ROADWAY	ROADWAY
				80% FEDERAL	80% FEDERAL		
				20% STATE	20% STATE		
20100110	TREE REMOVAL (6 TO 15 UNITS DIAMETER)	UNIT	100	100			
20200100	EARTH EXCAVATION	CU YD	52	52			
21101505	TOPSOIL EXCAVATION AND PLACEMENT	CU YD	43	43			
25000400	NITROGEN FERTILIZER NUTRIENT	POUND	5	5			
25000500	PHOSPHORUS FERTILIZER NUTRIENT	POUND	5	5			
25000600	POTASSIUM FERTILIZER NUTRIENT	POUND	5	5			
25100115	MULCH, METHOD 2	ACRE	1.4	1.4			
25200110	SODDING, SALT TOLERANT	SQ YD	383	383			
30300112	AGGREGATE SUBGRADE IMPROVEMENT 12"	SQ YD	12	12			
35501316	HOT-MIX ASPHALT BASE COURSE, 8"	SQ YD	139	139			
35501325	HOT-MIX ASPHALT BASE COURSE, 10 1/4"	SQ YD	12	12			
40600290	BITUMINOUS MATERIALS (TACK COAT)	POUND	84570	69567	15003		
40600400	MIXTURE FOR CRACKS, JOINTS, AND FLANGEWAYS	TON	155	155			
40600827	POLYMERIZED LEVELING BINDER (MACHINE METHOD), IL-4.75, N50	TON	5967	4439	1528		
40600982	HOT-MIX ASPHALT SURFACE REMOVAL - BUTT JOINT	SO YD	685	685			
40603335	HOT-MIX ASPHALT SURFACE COURSE, MIX "D", N50	TON	4	4			

SUMMARY OF QUANTITIES				CONSTRUCTION TYPE CODE			
CODE NO	ITEM	UNIT	TOTAL QUANTITIES	IL 72	I-190 RAMP		
				0005	0005	ROADWAY	ROADWAY
				80% FEDERAL	80% FEDERAL		
				20% STATE	20% STATE		
40603340	HOT-MIX ASPHALT SURFACE COURSE, MIX "D", N70	TON	735		735		
40603565	POLYMERIZED HOT-MIX ASPHALT SURFACE COURSE, MIX "E", N70	TON	11854	10100	1754		
42001300	PROTECTIVE COAT	SO YD	1101	1101			
42400200	PORTLAND CEMENT CONCRETE SIDEWALK 5 INCH	SO FT	2821	2821			
42400800	DETECTABLE WARNINGS	SO FT	237	237			
44000159	HOT-MIX ASPHALT SURFACE REMOVAL, 2 1/2"	SO YD	96223	96223			
44000161	HOT-MIX ASPHALT SURFACE REMOVAL, 3"	SO YD	6840	6840			
44000162	HOT-MIX ASPHALT SURFACE REMOVAL, 3 1/4"	SO YD	22227		22227		
44000200	DRIVEWAY PAVEMENT REMOVAL	SO YD	138	138			
44000300	CURB REMOVAL	FOOT	23	23			
44000500	COMBINATION CURB AND GUTTER REMOVAL	FOOT	168	168			
44000600	SIDEWALK REMOVAL	SO FT	2431	2431			
44003100	MEDIAN REMOVAL	SO FT	661	661			

30300112 AGGREGATE SUBGRADE IMPROVEMENT 12"

35501325 HOT-MIX ASPHALT BASE COURSE, 10 1/4"

168 168

661 661

\* SPECIALTY ITEM  
\* NON-PARTICIPATING ITEM (100% STATE)

14

13

FILE NAME =	USER NAME = JOHNSTONKD	DESIGNED -	REVISED -
pw:\IL084EBID\INTEG.illinois.gov\FWIDOT\Documents\DOT Offices\District 1\Projects\104517\CADData\De		DRAWN 7-shi-SOQ.dgn	REVISED -
PLOT SCALE = 100.0000' / in.	CHECKED -	REVISED -	REVISED -
PLOT DATE = 2/2/2018	DATE -	REVISED -	REVISED -

STATE OF ILLINOIS  
DEPARTMENT OF TRANSPORTATION

SUMMARY OF QUANTITIES  
IL 72 (TOUHY AVENUE TO CUMBERLAND AVE)

F.A.U. RTE. 1350	SECTION 2106-058-RS	COUNTY COOK	TOTAL SHEETS 63	SHEET NO. 4
SCALE: SHEET NO. OF SHEETS STA. TO STA.			CONTRACT NO. 62D51	
FED. ROAD DIST. NO. 1   ILLINOIS   FED. AID PROJECT				

REV 4-12-18

URBAN NHPP STP

URBAN NHPP STP

SUMMARY OF QUANTITIES			CONSTRUCTION TYPE CODE					
CODE NO	ITEM	UNIT	TOTAL QUANTITIES	IL 72	I-190 RAMP			
				0005	0005			
				ROADWAY	ROADWAY			
				80% FEDERAL	80% FEDERAL			
				20% STATE	20% STATE			
44004250	PAVED SHOULDER REMOVAL	SO YD	4.9	4.9				
44201789	CLASS D PATCHES, TYPE II, 12 INCH	SO YD	3106	3074	32			
44201794	CLASS D PATCHES, TYPE III, 12 INCH	SO YD	160	80	80			
44201796	CLASS D PATCHES, TYPE IV, 12 INCH	SO YD	1040	120	920			
48102100	AGGREGATE WEDGE SHOULDER, TYPE B	TON	179	51	128			
60252800	CATCH BASINS TO BE RECONSTRUCTED	EACH	8	6	2			
60255500	MANHOLES TO BE ADJUSTED	EACH	1	1				
60300105	FRAMES AND GRATES TO BE ADJUSTED	EACH	21	18	3			
60404800	FRAMES AND GRATES, TYPE 11	EACH	4	4				
60404940	FRAMES AND GRATES, TYPE 23	EACH	1		1			
60404950	FRAMES AND GRATES, TYPE 24	EACH	14	14				
60406000	FRAMES AND LIDS, TYPE I, OPEN LID	EACH	2	2				
60406100	FRAMES AND LIDS, TYPE I, CLOSED LID	EACH	3	2	1			
60600605	CONCRETE CURB, TYPE B	FOOT	23	23				
60603800	COMBINATION CONCRETE CURB AND GUTTER, TYPE B-6.12	FOOT	56	56				

SUMMARY OF QUANTITIES			CONSTRUCTION TYPE CODE					
CODE NO	ITEM	UNIT	TOTAL QUANTITIES	IL 72	I-190 RAMP			
				0005	0005			
				ROADWAY	ROADWAY			
				80% FEDERAL	80% FEDERAL			
				20% STATE	20% STATE			
60605000	COMBINATION CONCRETE CURB AND GUTTER, TYPE B-6.24	FOOT	65	65				
60618320	CONCRETE MEDIAN SURFACE, 6 INCH	SO FT	141	141				
60619600	CONCRETE MEDIAN, TYPE SB-6.12	SO FT	120	120				
* 63000001	STEEL PLATE BEAM GUARDRAIL, TYPE A, 6 FOOT POSTS	FOOT	37.5	37.5				
* 63100105	TRAFFIC BARRIER TERMINAL, TYPE 10	EACH	1	1				
63200310	GUARDRAIL REMOVAL	FOOT	37.5	37.5				
63500105	DELINEATORS	EACH	127		127			
* 66900200	NON-SPECIAL WASTE DISPOSAL	CU YD	52	52				
* 66900450	SPECIAL WASTE PLANS AND REPORTS	LSUM	1	1				
* 66900530	SOIL DISPOSAL ANALYSIS	EACH	2	2				
67000400	ENGINEER'S FIELD OFFICE, TYPE A	CAL MD	12	12				
67100100	MOBILIZATION	LSUM	1	1				
70100310	TRAFFIC CONTROL AND PROTECTION, STANDARD 701421	LSUM	1	1				
70102625	TRAFFIC CONTROL AND PROTECTION, STANDARD 701606	LSUM	1	1				

\* SPECIALTY ITEM  
\* NON-PARTICIPATING ITEM (100% STATE)

5

13

FILE NAME =	USER NAME = JOHNSTONKD	DESIGNED -	REVISED -
pw:\1084EBID\INTEG\Illinois.gov\PWD\DOT\Documents\DOT Offices\District 1\Projects\104517\CADD\Drawings\7-shit-60Q.dgn		CHECKED -	REVISED -
PLOT SCALE = 100.0000' / in.		DATE -	REVISED -
PLOT DATE = 2/2/2018			

STATE OF ILLINOIS  
DEPARTMENT OF TRANSPORTATION

SUMMARY OF QUANTITIES		F.A.U. RTE.	SECTION	COUNTY	TOTAL SHEETS	SHEET NO.
IL 72 (TOUHY AVENUE TO CUMBERLAND AVE)		1350	2106-058-RS	COOK	63	5
SCALE:	SHEET NO. OF SHEETS	STA. TO STA.	CONTRACT NO. 62D51			
			FED. ROAD DIST. NO. 1   ILLINOIS FED. AID PROJECT			

REV 4-12-18

URBAN NHPP STP

URBAN NHPP STP

SUMMARY OF QUANTITIES			CONSTRUCTION TYPE CODE				
CODE NO	ITEM	UNIT	TOTAL QUANTITIES	IL 72	I-190 RAMP		
				0005 ROADWAY	0005 ROADWAY	80% FEDERAL	80% FEDERAL
				20% STATE	20% STATE		
70102630	TRAFFIC CONTROL AND PROTECTION, STANDARD 701601	LSUM	1	1			
70102632	TRAFFIC CONTROL AND PROTECTION, STANDARD 701602	LSUM	1	1			
70102635	TRAFFIC CONTROL AND PROTECTION, STANDARD 701701	LSUM	1	1			
70102640	TRAFFIC CONTROL AND PROTECTION, STANDARD 701801	LSUM	1	1			
70300100	SHORT TERM PAVEMENT MARKING	FOOT	51524	51524			
70300150	SHORT TERM PAVEMENT MARKING REMOVAL	SO FT	17175	17175			
70300210	TEMPORARY PAVEMENT MARKING LETTERS AND SYMBOLS	SO FT	1898	1898			
70300220	TEMPORARY PAVEMENT MARKING - LINE 4"	FOOT	43165	43165			
70300240	TEMPORARY PAVEMENT MARKING - LINE 6"	FOOT	8562	8562			
70300250	TEMPORARY PAVEMENT MARKING - LINE 8"	FOOT	783	783			
70300260	TEMPORARY PAVEMENT MARKING - LINE 12"	FOOT	1639	1639			
70300280	TEMPORARY PAVEMENT MARKING - LINE 24"	FOOT	1122	1122			
70300520	PAVEMENT MARKING TAPE, TYPE III 4"	FOOT	25762	25762			

SUMMARY OF QUANTITIES			CONSTRUCTION TYPE CODE				
CODE NO	ITEM	UNIT	TOTAL QUANTITIES	IL 72	I-190 RAMP		
				0005 ROADWAY	0005 ROADWAY	80% FEDERAL	80% FEDERAL
				20% STATE	20% STATE		
* 78000100	THERMOPLASTIC PAVEMENT MARKING - LETTERS AND SYMBOLS	SO FT	1898	1898			
* 78000200	THERMOPLASTIC PAVEMENT MARKING - LINE 4"	FOOT	54987	43165	11822		
* 78000400	THERMOPLASTIC PAVEMENT MARKING - LINE 6"	FOOT	8562	8562			
* 78000500	THERMOPLASTIC PAVEMENT MARKING - LINE 8"	FOOT	783	783			
* 78000600	THERMOPLASTIC PAVEMENT MARKING - LINE 12"	FOOT	1674	1674			
* 78000650	THERMOPLASTIC PAVEMENT MARKING - LINE 24"	FOOT	1122	1122			
* 78008210	POLYUREA PAVEMENT MARKING TYPE I - LINE 4"	FOOT	108	108			
* 78008230	POLYUREA PAVEMENT MARKING TYPE I - LINE 6"	FOOT	89	89			
* 78008270	POLYUREA PAVEMENT MARKING TYPE I - LINE 24"	FOOT	21	21			
* 78100100	RAISED REFLECTIVE PAVEMENT MARKER	EACH	1590	1590			
* 78200006	GUARDRAIL REFLECTORS, TYPE B	EACH	2	2			

1674 1674



13

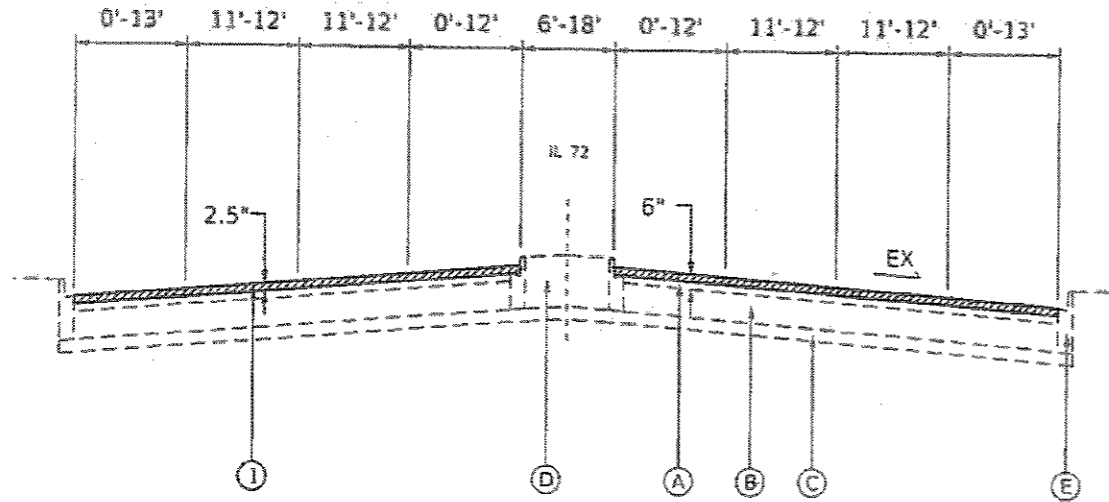
FILE NAME =	USER NAME = JOHNSTONKD	DESIGNED -	REVISED -	STATE OF ILLINOIS DEPARTMENT OF TRANSPORTATION		SUMMARY OF QUANTITIES IL 72 (TOUHY AVENUE TO CUMBERLAND AVE)		F.A.U. RTE.	SECTION	COUNTY	TOTAL SHEETS	SHEET NO.
pw:\IL084EB\INTEG\Illinois.gov\FWIDOT\Documents\DOT Offices\District 1\Projects\104517\CAADData\Design\DRW\7-shr-SOQ.dgn		CHECKED -	REVISED -					1350	2106-058-RS	COOK	63	6
PLOT SCALE = 100.0000' / in.		DATE -	REVISED -					CONTRACT NO. 62D51				
PLOT DATE = 2/2/2018								FED. ROAD DIST. NO. 1   ILLINOIS   FED. AID PROJECT				

REV 4-12-18

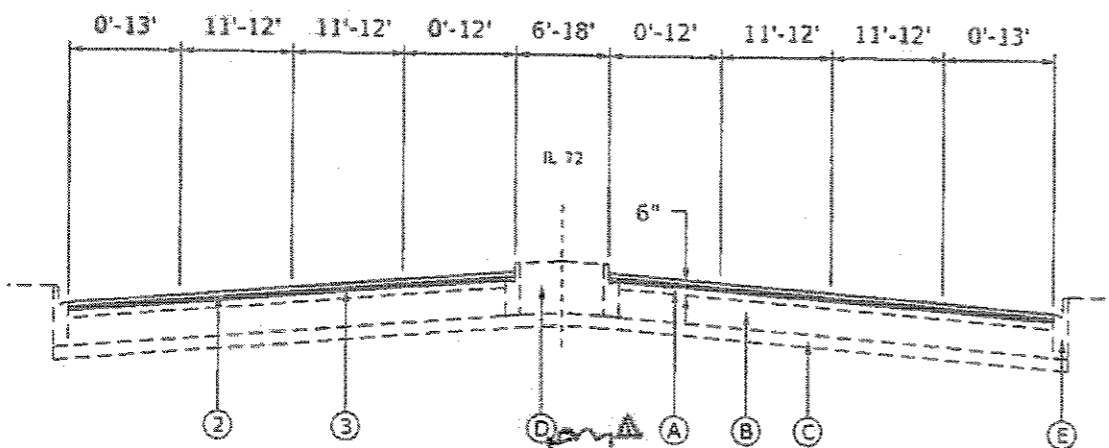
**LEGEND**

- (A) EXISTING HMA SURFACE COURSE
- (B) EXISTING P.C.C PAVEMENT, 9"
- (C) EXISTING SUB-BASE GRANULAR MATERIAL
- (D) EXISTING MEDIAN
- (E) EXISTING CURB AND GUTTER
- (F) EXISTING AGGREGATE SHOULDER
- (G) EXISTING SIDEWALK, 5"
- (H) EXISTING GUARDRAIL
- (I) EXISTING P.C.C PAVEMENT, 10"
- (J) EXISTING PIPE UNDERDRAINS, 4"
- (K) EXISTING BITUMINOUS SHOULDER AT EXISTING GUARDRAIL, 6"

- (L) EXISTING FA-2, 3"
- (M) EXISTING BITUMINOUS BASE COURSE, 10"
- (N) EXISTING BITUMINOUS SHOULDER, 10"
- (O) EXISTING TOPSOIL
- (1) PROPOSED HMA SURFACE REMOVAL
- (2) PROPOSED POLYMERIZED HOT-MIX ASPHALT SURFACE COURSE, MIX "E", N70, 1 3/4"
- (3) PROPOSED POLYMERIZED LEVELING BINDER (MACHINE METHOD), IL-4.75, N50, 3/4"
- (4) PROPOSED POLYMERIZED LEVELING BINDER (MACHINE METHOD), IL-4.75, N50, 1 1/4"
- (5) AGGREGATE WEDGE SHOULDER, TYPE B
- (6) PROPOSED POLYMERIZED HOT-MIX ASPHALT SURFACE COURSE, MIX "E", N70, 2"
- (7) PROPOSED HOT MIX ASPHALT SURFACE COURSE, MIX "D", N70, 2"



EXISTING TYPICAL SECTION  
IL 72 (TORRENCE AVENUE)  
STA. 13+62 TO 15+40  
STA. 38+76 TO 64+47



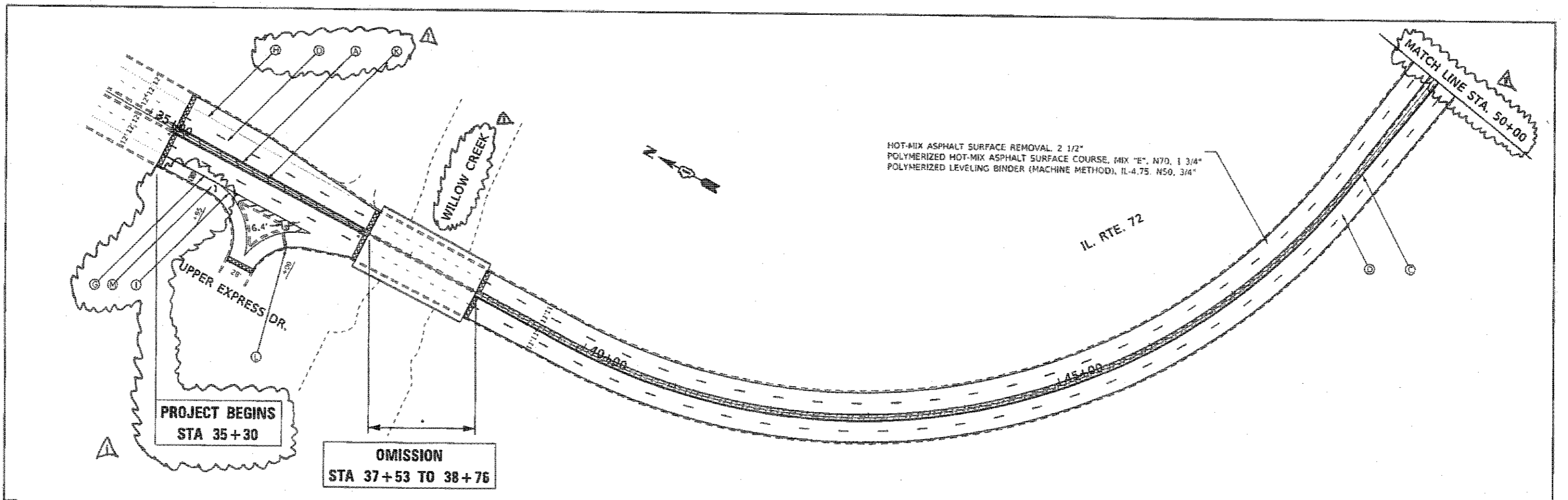
PROPOSED TYPICAL SECTION  
IL 72 (TORRENCE AVENUE)  
STA. 13+62 TO 15+40  
STA. 38+76 TO 64+47

HOT-MIX ASPHALT MIXTURE REQUIREMENTS			
MIXTURE TYPE	AIR VOIDS (%) @ Ndes	QUALITY MANAGEMENT	IC
<b>PAVEMENT RESURFACING: IL 72</b>			
POLYMERIZED HMA SURFACE COURSE, MIX "E", N70, 1 3/4" (IL-9.5mm)	4% @ 70 GYR.	PFP	
POLYMERIZED LEVELING BINDER (MACHINE METHOD), IL-4.75, N50, 1 1/4", 3/4"	3.5% @ 50 GYR.	QCP	9 PASSES
<b>PAVEMENT RESURFACING: I-190 RAMPS AT US 12/ US 45</b>			
HMA SURFACE COURSE, MIX "D", N70, 2" (IL-9.5mm)	4% @ 70GYR.	QC/QA	
POLYMERIZED HMA SURFACE COURSE, MIX "E", N70, 2" (IL-9.5mm)	4% @ 70 GYR.	PFP	
POLYMERIZED LEVELING BINDER (MACHINE METHOD), IL-4.75, N50, 1 1/4"	3.5% @ 50 GYR.	QCP	9 PASSES
<b>PATCHING</b>			
CLASS D PATCHES (HMA BINDER IL-19 mm)	4% @ 70 GYR.	QC/QA	
<b>DRIVEWAYS</b>			
HMA SURFACE COURSE, MIX "D", N50, 2" (IL-9.5mm)	4% @ 50GYR.	QC/QA	
HMA BASE COURSE, 8" (HMA BINDER IL-19.0mm)	4% @ 50GYR.	QC/QA	
<b>MEDIAN ISLAND REMOVAL: DEVON AVENUE</b>			
POLYMERIZED HMA SURFACE COURSE, MIX "E", N70, 1 1/4" (IL-9.5mm)	4% @ 70 GYR.	PFP	
POLYMERIZED LEVELING BINDER (MACHINE METHOD), IL-4.75, N50, 3/4"	3.5% @ 50 GYR.	QCP	9 PASSES
HMA BASE COURSE, 10 1/4" (HMA BINDER IL-19.0mm)	4% @ 70GYR.	QC/QA	
QMP DESIGNATION: QUALITY CONTROL/QUALITY ASSURANCE (QC/QA); QUALITY CONTROL FOR PERFORMANCE (QCP); PAY FOR PERFORMANCE (PFP)			

- NOTE 1: THE UNIT WEIGHT USED TO CALCULATE ALL SURFACE HOT-MIX ASPHALT MIXTURE QUANTITIES IS 112 LBS/SQYD/IN.
- NOTE 2: THE "AC TYPE" FOR POLYMERIZED HMA MIXES SHALL BE SBS/SBR "PG 76-22" AND FOR NON-POLYMERIZED HMA THE "AC TYPE" SHALL BE "PG 64-22" UNLESS MODIFIED BY DISTRICT ONE SPECIAL PROVISIONS.
- NOTE 3: FOR USE OF RECYCLED MATERIALS, SEE DISTRICT ONE SPECIAL PROVISION.
- NOTE 4: QUALITY MANAGEMENT PROGRAM (QMP) IDENTIFIES THE PARTICULAR QUALITY CONTROL SPECIFICATION THAT APPLIES TO THE HMA MIXTURE.
- NOTE 5: THE CONTRACTOR SHALL MILL FIRST BEFORE PATCHING.
- NOTE 6: WHEN A NUMBER OF ROLLER PASSES IS SPECIFIED, THE CONTRACTOR MAY OPT TO USE INTELLIGENT COMPACTION (IC) IN LIEU OF DENSITY TESTING UNDER THE QUALITY CONTROL FOR PERFORMANCE (QCP) PROGRAM.

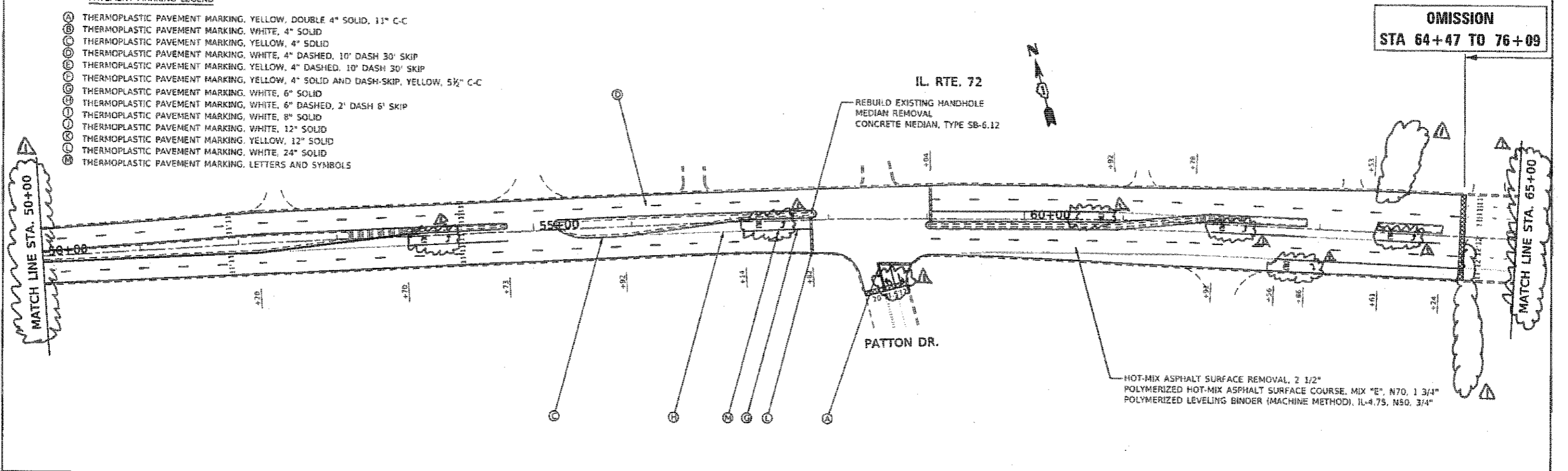
FILE NAME	USER NAME	DESIGNED	REVISION	STATE OF ILLINOIS DEPARTMENT OF TRANSPORTATION				EXISTING AND PROPOSED TYPICAL SECTIONS IL 72 (TOUHY AVENUE TO CUMBERLAND AVE)						
		4/6/2018		SCALE:	SHEET	OF	SHEETS	STA.	TO STA.	FILE	SECTION	COUNTY	TOTAL SHEETS	SHEET NO.
										1350	2100-058-RS	COOK	63	8
										CONTRACT NO. 62D51				

REV 4-12-18



**PAVEMENT MARKING LEGEND**

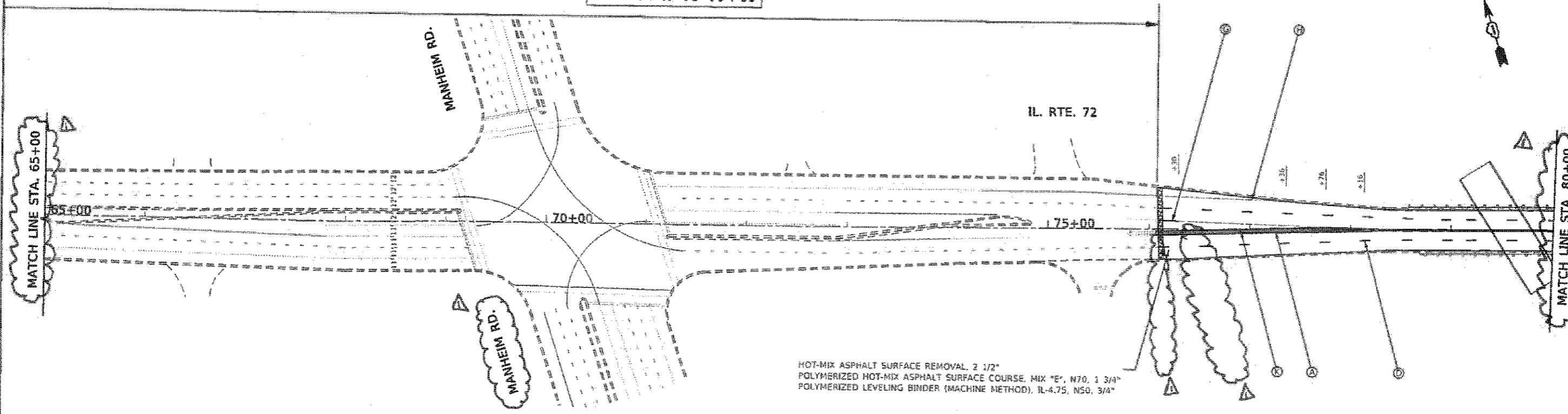
- Ⓐ THERMOPLASTIC PAVEMENT MARKING, YELLOW, DOUBLE 4" SOLID, 11" C-C
- Ⓑ THERMOPLASTIC PAVEMENT MARKING, WHITE, 4" SOLID
- Ⓒ THERMOPLASTIC PAVEMENT MARKING, YELLOW, 4" SOLID
- Ⓓ THERMOPLASTIC PAVEMENT MARKING, WHITE, 4" DASHED, 10' DASH 30' SKIP
- Ⓔ THERMOPLASTIC PAVEMENT MARKING, YELLOW, 4" DASHED, 10' DASH 30' SKIP
- Ⓕ THERMOPLASTIC PAVEMENT MARKING, YELLOW, 4" SOLID AND DASH-SKIP, YELLOW, 5 1/2" C-C
- Ⓖ THERMOPLASTIC PAVEMENT MARKING, WHITE, 6" SOLID
- Ⓗ THERMOPLASTIC PAVEMENT MARKING, WHITE, 6" DASHED, 2' DASH 6' SKIP
- Ⓘ THERMOPLASTIC PAVEMENT MARKING, WHITE, 8" SOLID
- Ⓚ THERMOPLASTIC PAVEMENT MARKING, WHITE, 12" SOLID
- Ⓛ THERMOPLASTIC PAVEMENT MARKING, YELLOW, 12" SOLID
- Ⓜ THERMOPLASTIC PAVEMENT MARKING, WHITE, 24" SOLID
- Ⓝ THERMOPLASTIC PAVEMENT MARKING, LETTERS AND SYMBOLS



FILE NAME =	USER NAME = jshyestoned	DESIGNED =	REVISED = 4/6/2018	<b>STATE OF ILLINOIS</b> <b>DEPARTMENT OF TRANSPORTATION</b>	<b>ROADWAY PLANS IL 72 (HIGGINS ROAD)</b> <b>TOUHY AVENUE TO CUMBERLAND AVENUE</b>	F.A.U. RTE.	SECTION	COUNTY	TOTAL SHEETS	SHEET NO.	
PROJECT NO. =	PROJECT TITLE =	DRAWN =	REVISED =			1250	2016-058-RS	COOK	63	11	
PLAT SCALE = 1"=50'	PLAT DATE = 4/6/2018	CHECKED =	REVISED =			SCALE: 1"=50'		SHEET OF SHEETS		STA. 35+30 TO STA. 65+00	
						CONTRACT NO. 62051		ILLINOIS FED. AID PROJECT			

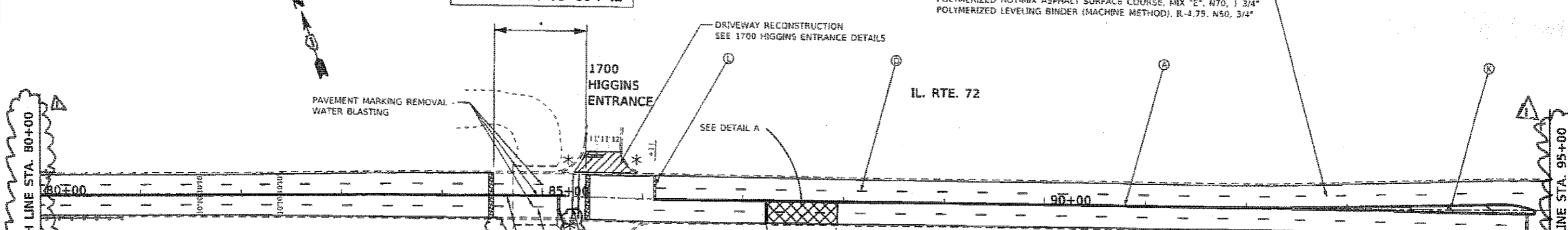
REV 4-12-18

**OMISSION**  
STA 64+47 TO 76+09

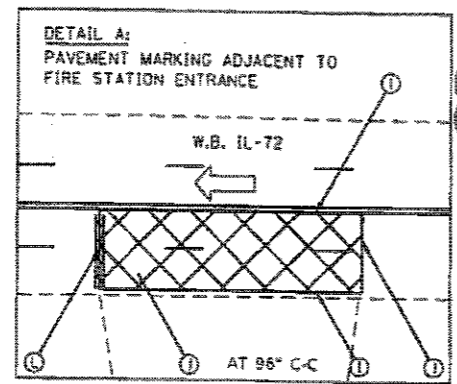


HOT-MIX ASPHALT SURFACE REMOVAL, 2 1/2"  
POLYMERIZED HOT-MIX ASPHALT SURFACE COURSE, MIX "E", N70, 1 3/4"  
POLYMERIZED LEVELING BINDER (MACHINE METHOD), IL-4.75, NS0, 3/4"

**RESURFACING OMISSION**  
STA 84+51 TO 85+42



HOT-MIX ASPHALT SURFACE REMOVAL, 2 1/2"  
POLYMERIZED HOT-MIX ASPHALT SURFACE COURSE, MIX "E", N70, 1 3/4"  
POLYMERIZED LEVELING BINDER (MACHINE METHOD), IL-4.75, NS0, 3/4"



**PAVEMENT MARKING LEGEND**

- Ⓐ THERMOPLASTIC PAVEMENT MARKING, YELLOW, DOUBLE 4" SOLID, 11" C-C
- Ⓑ THERMOPLASTIC PAVEMENT MARKING, WHITE, 4" SOLID
- Ⓒ THERMOPLASTIC PAVEMENT MARKING, YELLOW, 4" SOLID
- Ⓓ THERMOPLASTIC PAVEMENT MARKING, WHITE, 4" DASHED, 10' DASH 30' SKIP
- Ⓔ THERMOPLASTIC PAVEMENT MARKING, YELLOW, 4" DASHED, 10' DASH 30' SKIP
- Ⓕ THERMOPLASTIC PAVEMENT MARKING, YELLOW, 4" SOLID AND DASH-SKIP, YELLOW, 5 1/2" C-C
- Ⓖ THERMOPLASTIC PAVEMENT MARKING, WHITE, 6" SOLID
- Ⓗ THERMOPLASTIC PAVEMENT MARKING, WHITE, 6" DASHED, 2' DASH 6' SKIP
- Ⓘ THERMOPLASTIC PAVEMENT MARKING, WHITE, 8" SOLID
- Ⓚ THERMOPLASTIC PAVEMENT MARKING, WHITE, 12" SOLID
- Ⓛ THERMOPLASTIC PAVEMENT MARKING, YELLOW, 12" SOLID
- Ⓜ THERMOPLASTIC PAVEMENT MARKING, WHITE, 24" SOLID
- Ⓝ POLYUREA PAVEMENT MARKING, YELLOW, DOUBLE 4" SOLID, 13" C-C
- Ⓖ POLYUREA PAVEMENT MARKING, WHITE, 4" DASHED, 10' DASH 30' SKIP
- Ⓗ POLYUREA PAVEMENT MARKING, WHITE, 6" SOLID
- Ⓚ POLYUREA PAVEMENT MARKING, WHITE, 24" SOLID

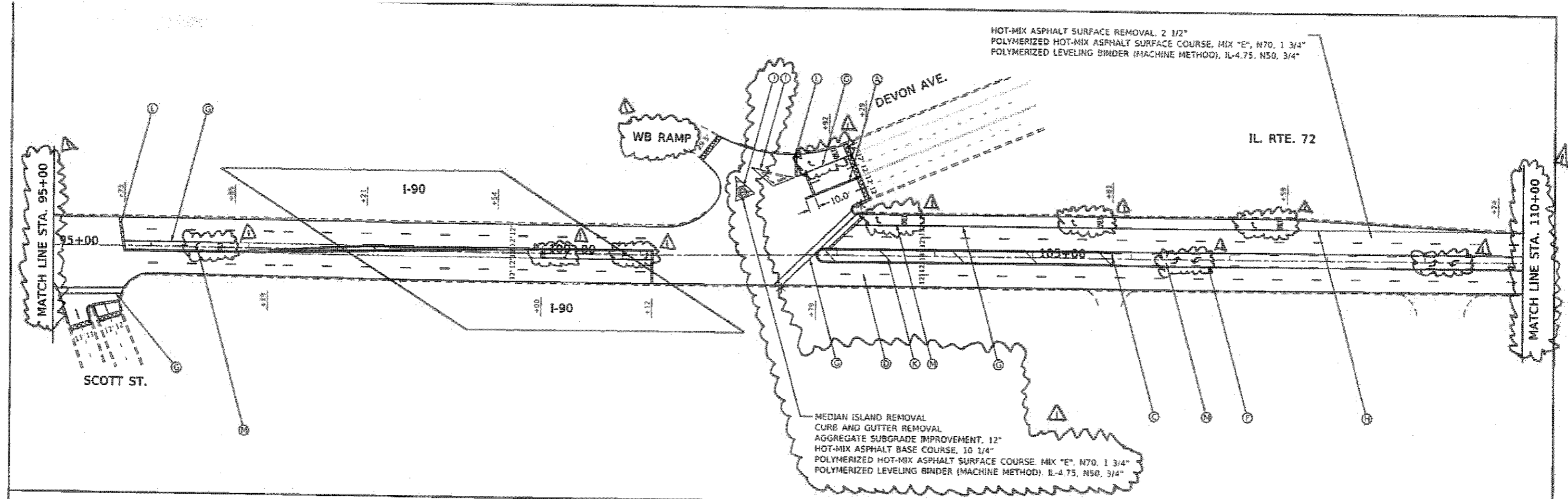
FILE NAME	USER NAME = JONVSTORNS	DESIGNED =	REVISED = 4/6/2018
PROJECT	BIDDY 05frs&2bmetct 21Project1101845 (7)CAD/05frs&2bmetct	DRAWN =	REVISED =
PLOT SCALE = 1/8"=1'-0"	PLOT DATE = 4/6/2018	CHECKED =	REVISED =
		DATE =	REVISED =

STATE OF ILLINOIS  
DEPARTMENT OF TRANSPORTATION

ROADWAY PLANS IL 72 (HIGGINS ROAD)  
TOUHY AVENUE TO CUMBERLAND AVENUE

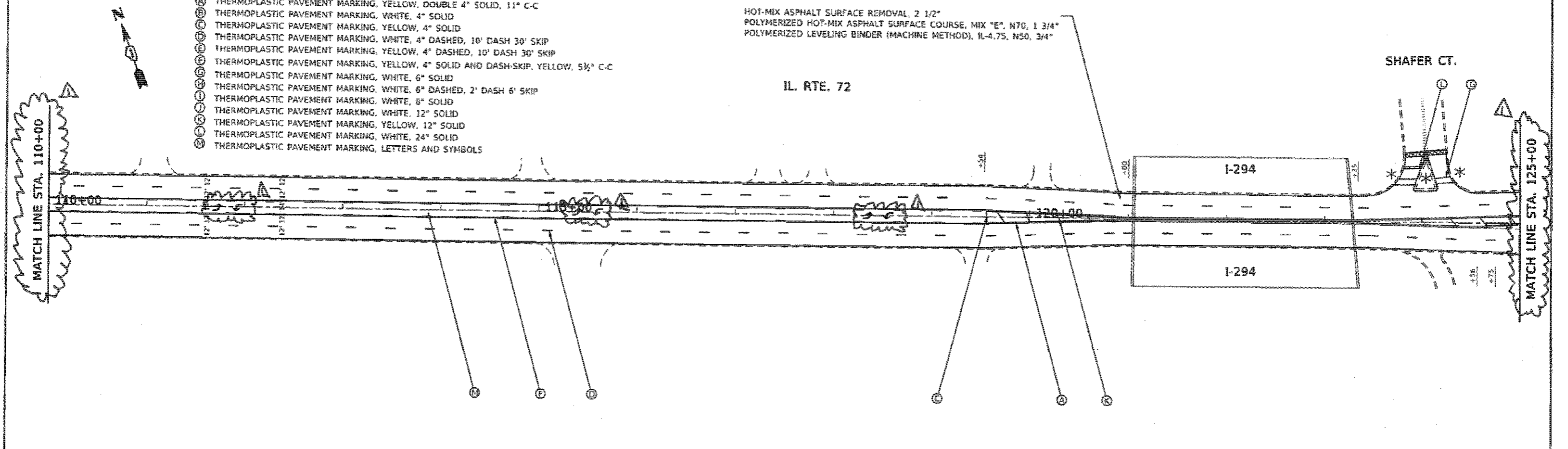
F.A.M. RTE.	SECTION	COUNTY	TOTAL SHEETS	SHEET NO.
1350	2016-050-R5	COOK	63	12
SCALE: 1"=50'			CONTRACT NO. 62D51	
[ILLINOIS] FED. AID PROJECT				

REV 4-12-18



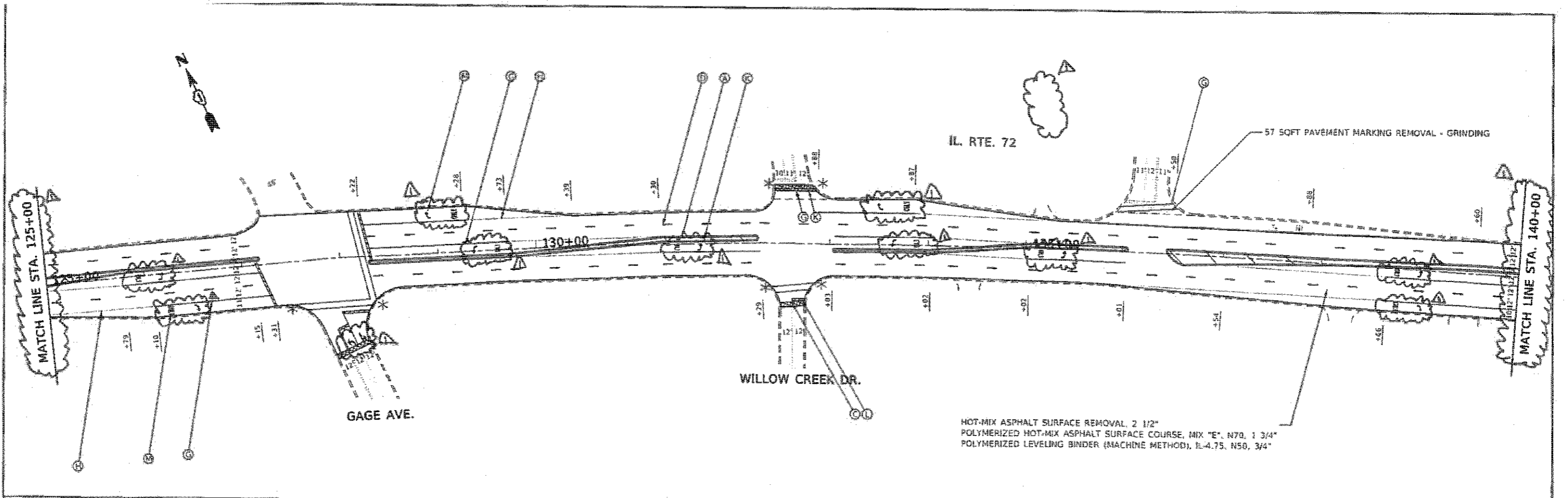
**PAVEMENT MARKING LEGEND**

- ⊙ THERMOPLASTIC PAVEMENT MARKING, YELLOW, DOUBLE 4" SOLID, 11" C-C
- ⊙ THERMOPLASTIC PAVEMENT MARKING, WHITE, 4" SOLID
- ⊙ THERMOPLASTIC PAVEMENT MARKING, YELLOW, 4" SOLID
- ⊙ THERMOPLASTIC PAVEMENT MARKING, WHITE, 4" DASHED, 10' DASH 30' SKIP
- ⊙ THERMOPLASTIC PAVEMENT MARKING, YELLOW, 4" DASHED, 10' DASH 30' SKIP
- ⊙ THERMOPLASTIC PAVEMENT MARKING, YELLOW, 4" SOLID AND DASH-SKIP, YELLOW, 5 1/2" C-C
- ⊙ THERMOPLASTIC PAVEMENT MARKING, WHITE, 6" SOLID
- ⊙ THERMOPLASTIC PAVEMENT MARKING, WHITE, 6" DASHED, 2' DASH 6' SKIP
- ⊙ THERMOPLASTIC PAVEMENT MARKING, WHITE, 8" SOLID
- ⊙ THERMOPLASTIC PAVEMENT MARKING, WHITE, 12" SOLID
- ⊙ THERMOPLASTIC PAVEMENT MARKING, YELLOW, 12" SOLID
- ⊙ THERMOPLASTIC PAVEMENT MARKING, WHITE, 24" SOLID
- ⊙ THERMOPLASTIC PAVEMENT MARKING, LETTERS AND SYMBOLS



FILE NAME	USER NAME = JSHVSTORND	DESIGNED -	REVISION -	<b>STATE OF ILLINOIS</b> <b>DEPARTMENT OF TRANSPORTATION</b>	<b>ROADWAY PLANS IL 72 (HIGGINS ROAD)</b> <b>TOUHY AVENUE TO CUMBERLAND AVENUE</b>	F.A.U. RTE.	SECTION	COUNTY	TOTAL SHEETS	SHEET NO.	
PROJECT	PROJECT NO.	CHECKED -	REVISION -			1350	2016-058-R5	COOK	63	13	
PLOT SCALE = 100,000 : 1 in.	DATE	DATE	DATE			SCALE: 1"=50'		SHEET OF SHEETS		STA. 95+00 TO STA. 125+00	
PLOT DATE = 4/6/2018	DATE	DATE	DATE			CONTRACT NO. 62D51					

△ REV 4-12-18

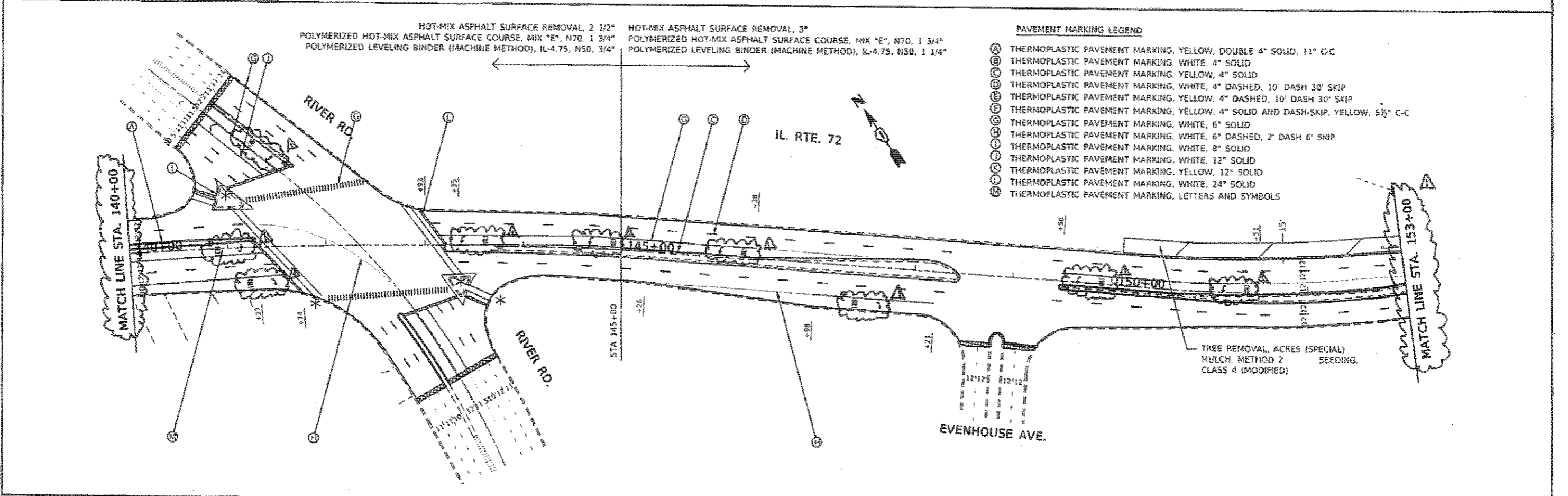


IL RTE. 72

GAGE AVE.

WILLOW CREEK DR.

HOT-MIX ASPHALT SURFACE REMOVAL, 2 1/2"  
 POLYMERIZED HOT-MIX ASPHALT SURFACE COURSE, MIX "E", N70, 1 3/4"  
 POLYMERIZED LEVELING BINDER (MACHINE METHOD), IL-4.75, NS0, 3/4"



HOT-MIX ASPHALT SURFACE REMOVAL, 2 1/2"  
 POLYMERIZED HOT-MIX ASPHALT SURFACE COURSE, MIX "E", N70, 1 3/4"  
 POLYMERIZED LEVELING BINDER (MACHINE METHOD), IL-4.75, NS0, 3/4"

HOT-MIX ASPHALT SURFACE REMOVAL, 3"  
 POLYMERIZED HOT-MIX ASPHALT SURFACE COURSE, MIX "E", N70, 1 3/4"  
 POLYMERIZED LEVELING BINDER (MACHINE METHOD), IL-4.75, NS0, 1 1/4"

**PAVEMENT MARKING LEGEND**

- (A) THERMOPLASTIC PAVEMENT MARKING, YELLOW, DOUBLE 4" SOLID, 11" C-C
- (B) THERMOPLASTIC PAVEMENT MARKING, WHITE, 4" SOLID
- (C) THERMOPLASTIC PAVEMENT MARKING, YELLOW, 4" SOLID
- (D) THERMOPLASTIC PAVEMENT MARKING, WHITE, 4" DASHED, 10' DASH 30' SKIP
- (E) THERMOPLASTIC PAVEMENT MARKING, YELLOW, 4" DASHED, 10' DASH 30' SKIP
- (F) THERMOPLASTIC PAVEMENT MARKING, YELLOW, 4" SOLID AND DASH-SKIP, YELLOW, 5 1/2" C-C
- (G) THERMOPLASTIC PAVEMENT MARKING, WHITE, 6" SOLID
- (H) THERMOPLASTIC PAVEMENT MARKING, WHITE, 6" DASHED, 2' DASH 6' SKIP
- (I) THERMOPLASTIC PAVEMENT MARKING, WHITE, 8" SOLID
- (J) THERMOPLASTIC PAVEMENT MARKING, WHITE, 12" SOLID
- (K) THERMOPLASTIC PAVEMENT MARKING, YELLOW, 12" SOLID
- (L) THERMOPLASTIC PAVEMENT MARKING, WHITE, 24" SOLID
- (M) THERMOPLASTIC PAVEMENT MARKING, LETTERS AND SYMBOLS

TREE REMOVAL, ACRES (SPECIAL)  
 MULCH, METHOD 2 SEEDING,  
 CLASS 4 (MODIFIED)

FILE NAME	USFA JANE	DESIGNED	REVISION	DATE	<b>STATE OF ILLINOIS</b> <b>DEPARTMENT OF TRANSPORTATION</b>	<b>ROADWAY PLANS IL 72 (HIGGINS ROAD)</b> <b>TOUHY AVENUE TO CUMBERLAND AVENUE</b>	F.A.U. RTE.	SECTION	COUNTY	TOTAL SHEETS	SHEET NO.
PROJECT	1350	2016-05B-RS	COOK	63			14				
PLANT DATE	4/6/2018	DATE	REVISION	CONTRACT NO.			B2051				
SCALE: 1"=50'	SHEET	OF	SHEETS	STA. 125+00			TO STA. 153+00				

REV 4-12-18