

STATE OF ILLINOIS
DEPARTMENT OF TRANSPORTATION

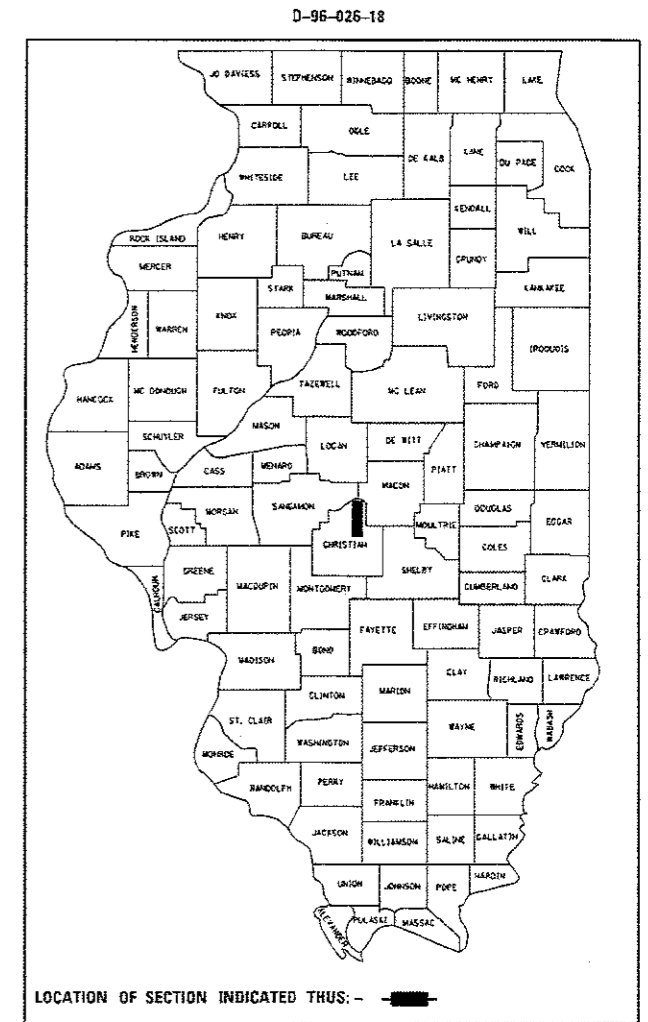
F.A.S. RTE.	SECTION	COUNTY	TOTAL SHEETS	SHEET NO.
636	(2,3) Q-1	CHRISTIAN	5	1
		ILLINOIS	CONTRACT NO. 72K37	

FOR INDEX OF SHEETS, SEE SHEET NO. 2

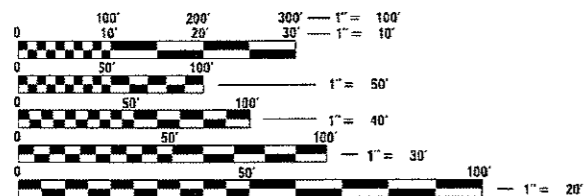
PROPOSED IMPROVEMENTS

FAS 636 (MT. AUBURN RD)
(2,3) Q-1
HALF SMART RESURFACING W/A2

CHRISTIAN CO
C-96-045-18



ADT = 700
SU = 2.28%
MU = 2.43%
PV = 95.29%

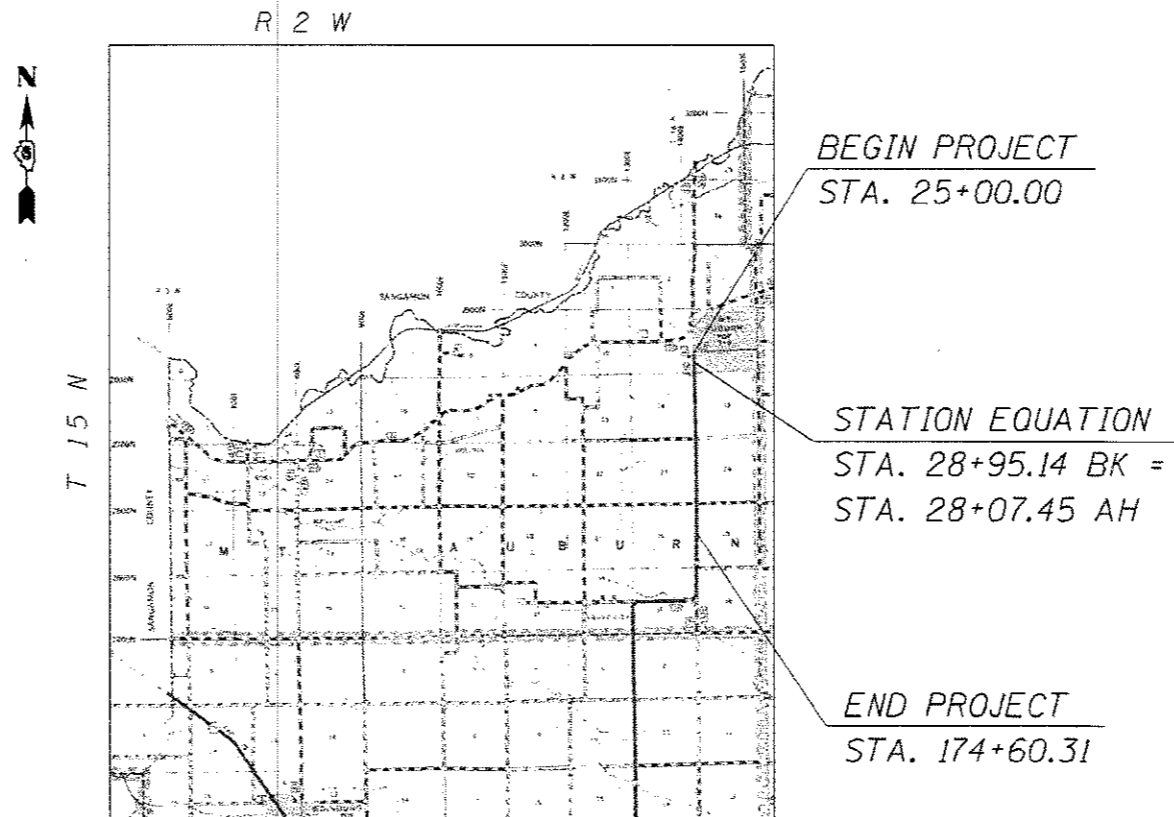


FULL SIZE PLANS HAVE BEEN PREPARED USING STANDARD ENGINEERING SCALES. REDUCED SIZED PLANS WILL NOT CONFORM TO STANDARD SCALES. IN MAKING MEASUREMENTS ON REDUCED PLANS, THE ABOVE SCALES MAY BE USED.

J.U.L.I.E.
JOINT UTILITY LOCATION INFORMATION FOR EXCAVATION
1-800-892-0123
OR 811

PROJECT ENGINEER : MIKE IRWIN - (217)524-7765
PROJECT MANAGER : TIM SHARP - (217)524-9160

CONTRACT NO. 72K37



STATE OF ILLINOIS
DEPARTMENT OF TRANSPORTATION

SUBMITTED *14 February 2018*

Stephan Burt
REGION FOUR ENGINEER

Mark 23 2018
ENGINEER OF DESIGN AND ENVIRONMENT

Paul P. [Signature]
DIRECTOR OF HIGHWAYS PROJECT IMPLEMENTATION

PRINTED BY THE AUTHORITY
OF THE STATE OF ILLINOIS

INDEX OF SHEETS

SHEET NO.	DESCRIPTION
1.	COVER SHEET
2.	INDEX OF SHEETS, STANDARDS, GENERAL NOTES & SIGNATURE
3.	SUMMARY OF QUANTITIES
4.	PROJECT LOCATION MAP
5.	PROJECT TYPICAL SECTIONS

STANDARDS

STANDARD NO.	DESCRIPTION
701006-05	OFF-ROAD OPERATIONS, 2L, 2W, 15' (4.5m) TO 24" (600mm) FROM EDGE OF PAVEMENT
701201-04	LANE CLOSURE, 2L, 2W, DAY ONLY, FOR SPEEDS ≥ 45 MPH
701306-04	LANE CLOSURE, 2L, 2W, SLOW MOVING OPERATIONS DAY ONLY, FOR SPEEDS ≥ 45 MPH
701311-03	LANE CLOSURE, 2L, 2W, MOVING OPERATIONS, DAY ONLY
701901-07	TRAFFIC CONTROL DEVICES

NOTES:

COVER AND SEAL COAT AGGREGATE SHALL BE CRUSHED LIMESTONE.

D-6 OPERATIONS WILL PLACE PERMANENT PAVEMENT MARKINGS.

UP TO 3 SWEEPINGS MAY BE REQUIRED BY A ROTARY TYPE BROOM TO REMOVE EXCESS AGGREGATE.

CONTRACTOR SHALL PLACE AGGREGATE SHOULDERS, TYPE B, PRIOR TO BITUMINOUS SURFACE TREATMENTS A2.

STATE OF ILLINOIS DEPARTMENT OF TRANSPORTATION DIVISION OF HIGHWAYS DISTRICT 6	
EXAMINED	February 6 th 20 18 <i>John C. Wynn</i> ENGINEER OF OPERATIONS
EXAMINED	January 24 20 18 <i>Jeff Deaton</i> ENGINEER OF PROJECT IMPLEMENTATION
EXAMINED	January 29 20 18 <i>Jeffrey P. Meyer</i> ENGINEER OF PROGRAM DEVELOPMENT

MIXTURE REQUIREMENTS	
LOCATION:	FAS 636 (MT. AUBURN RD.)
MIXTURE USE(S):	LEVELING BINDER
PG:	58 - 28
DESIGN AIR VOIDS:	4.0% @ N50
MIXTURE COMPOSITION:	IL 9.5
FRICTION AGGREGATE:	N/A
QUALITY MANAGEMENT:	QC/QA
SUBLOT SIZE:	N/A

CODE NO.	ITEM	UNIT	TOTAL QUANTITY	0-01624-6017
				100% STATE CHRISTIAN ROADWAY 0005 RURAL
40300400	BITUMINOUS MATERIALS (COVER AND SEAL COATS)	TON	113	113
40300500	COVER COAT AGGREGATE	TON	460	460
40300600	SEAL COAT AGGREGATE	TON	368	368
40600290	BITUMINOUS MATERIALS (TACK COAT)	POUND	16553	16553
40600400	MIXTURE FOR CRACKS, JOINTS, AND FLANGEWAYS	TON	3	3
40600625	LEVELING BINDER (MACHINE METHOD), N50	TON	1571	1571
40600982	HOT-MIX ASPHALT SURFACE REMOVAL - BUTT JOINT	SQ YD	73	73
40600990	TEMPORARY RAMP	SQ YD	16	16
40800050	INCIDENTAL HOT-MIX ASPHALT SURFACING	TON	16	16
44200144	PAVEMENT PATCHING, TYPE II, 12 INCH	SQ YD	200	200
48101200	AGGREGATE SHOULDERS, TYPE B	TON	1143	1143
67100100	MOBILIZATION	L SUM	1	1
70100450	TRAFFIC CONTROL AND PROTECTION, STANDARD 701201	L SUM	1	1
70100460	TRAFFIC CONTROL AND PROTECTION, STANDARD 701306	L SUM	1	1

CODE NO.	ITEM	UNIT	TOTAL QUANTITY	0-01624-6017
				100% STATE CHRISTIAN ROADWAY 0005 RURAL
78300200	RAISED REFLECTIVE PAVEMENT MARKER REMOVAL	EACH	189	189
X4401198	HOT-MIX ASPHALT SURFACE REMOVAL, VARIABLE DEPTH	SQ YD	36784	36784

2

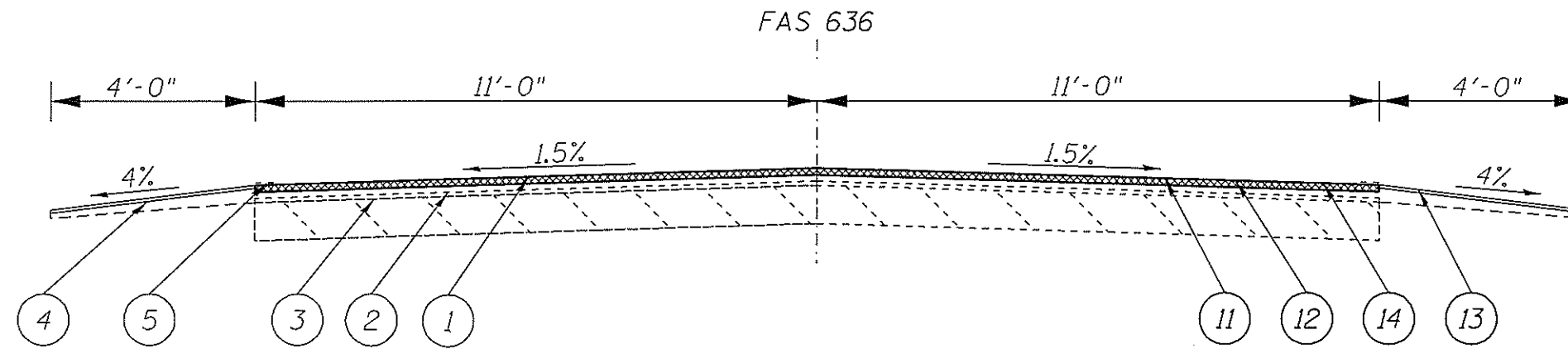


BEGIN PROJECT
STA. 25+00.00

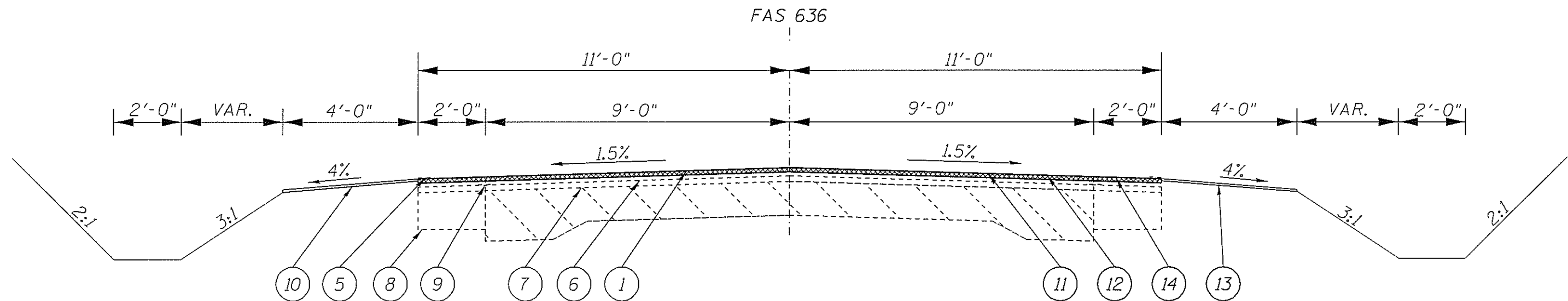
STATION EQUATION:
STA. 28+95.14 BK =
STA. 28+07.45 AH

END PROJECT
STA. 174+60.31

FILE NAME =	USER NAME = CANCELS	DESIGNED - _____	REVISED - _____	STATE OF ILLINOIS DEPARTMENT OF TRANSPORTATION	LOCATION MAP				F.A.S. RTE.	SECTION	COUNTY	TOTAL SHEETS	SHEET NO.		
S:\CONTRACT\MAINT_CAD\72K37 - PAS 636 041	Aburn Rd Christian Co. - half amer\PLANS\72K	DRAWN-plens.dgn	REVISED - _____		SCALE: _____	SHEET _____	OF _____	SHEETS	STA. _____	TO STA. _____	636	(2,3) 0-1	CHRISTIAN	5	4
Default	PLLOT SCALE = 48.0004' / in.	CHECKED - _____	REVISED - _____		CONTRACT NO. 72K37										
	PLLOT DATE = 2/9/2018	DATE - _____	REVISED - _____		ILLINOIS FED. AID PROJECT										



TYPICAL SECTION #1
STA. 25+00 TO STA. 29+43



TYPICAL SECTION #2
STA. 29+43 TO STA. 174+60.31

LEGEND

- | | |
|--|--|
| 1- EXIST. BIT. CONC. SURF. CSE. MIX C, CLI, 1 1/2" | 11- PROP. HMA ASPHALT SURFACE REMOVAL, VARIABLE DEPTH |
| 2- EXIST. BIT. CONC. LEVELING BINDER 1/2" | 12- PROP. LEVELING BINDER (MACHINE METHOD), N 50, 3/4" |
| 3- EXIST. 14" AGG. BASE W/ 4 1/2" BIT. CONC. RESURF. | 13- PROP. BITUMINOUS SURFACE TREATMENT, A-2 |
| 4- EXIST. AGGREGATE SHOULDERS, TYPE A (2" TO 1") | 14- PROP. AGGREGATE SHOULDERS, TYPE B |
| 5- EXIST. PAVEMENT STRIPE | |
| 6- EXIST. BIT. CONC. LEVELING BINDER 1" | |
| 7- EXIST. 9-6-9 PAVEMENT W/3" BIT. RESURF. | |
| 8- EXIST. BIT. CONC. BASE CSE. WIDENING 9" | |
| 9- EXIST. REFLECTIVE CRACK CONTROL TREATMENT | |
| 10- EXIST. EARTH SHOULDER | |

FILE NAME = S:\CONTRMAINT\CAD\72K37 - FAS 636 Rts.	USER NAME = CANCELS	DESIGNED -	REVISED -	STATE OF ILLINOIS DEPARTMENT OF TRANSPORTATION	TYPICALS	F.A.S. RTE. 636	SECTION (2,3) 0-1	COUNTY CHRISTIAN	TOTAL SHEETS 5	SHEET NO. 5		
ALBURN RD Christian Co. - half amer c\PLANS\72K37\DRAWINGS-typicals.dgn	PLOT SCALE = 3/8" = 1' / in.	CHECKED -	REVISED -			SCALE:	SHEET OF SHEETS	STA. TO STA.	ILLINOIS FED. AID PROJECT			
Default	PLOT DATE = 2/9/2018	DATE -	REVISED -									