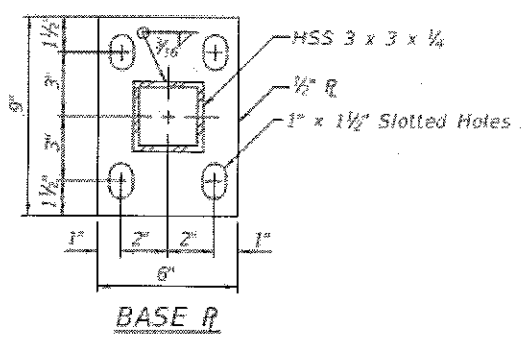


ALL STEEL RAIL ELEMENTS SHALL BE GALVANIZED ACCORDING TO ARTICLE 509.05 OF THE STANDARD SPECIFICATIONS.

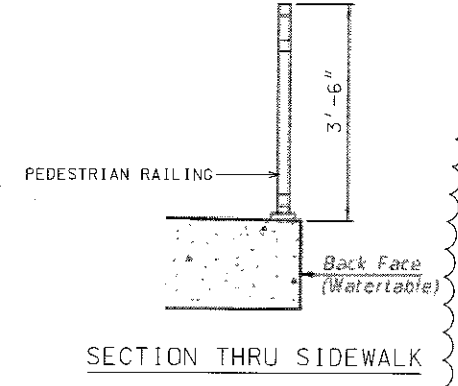
PEDESTRIAN RAILING

PEDESTRIAN RAILING

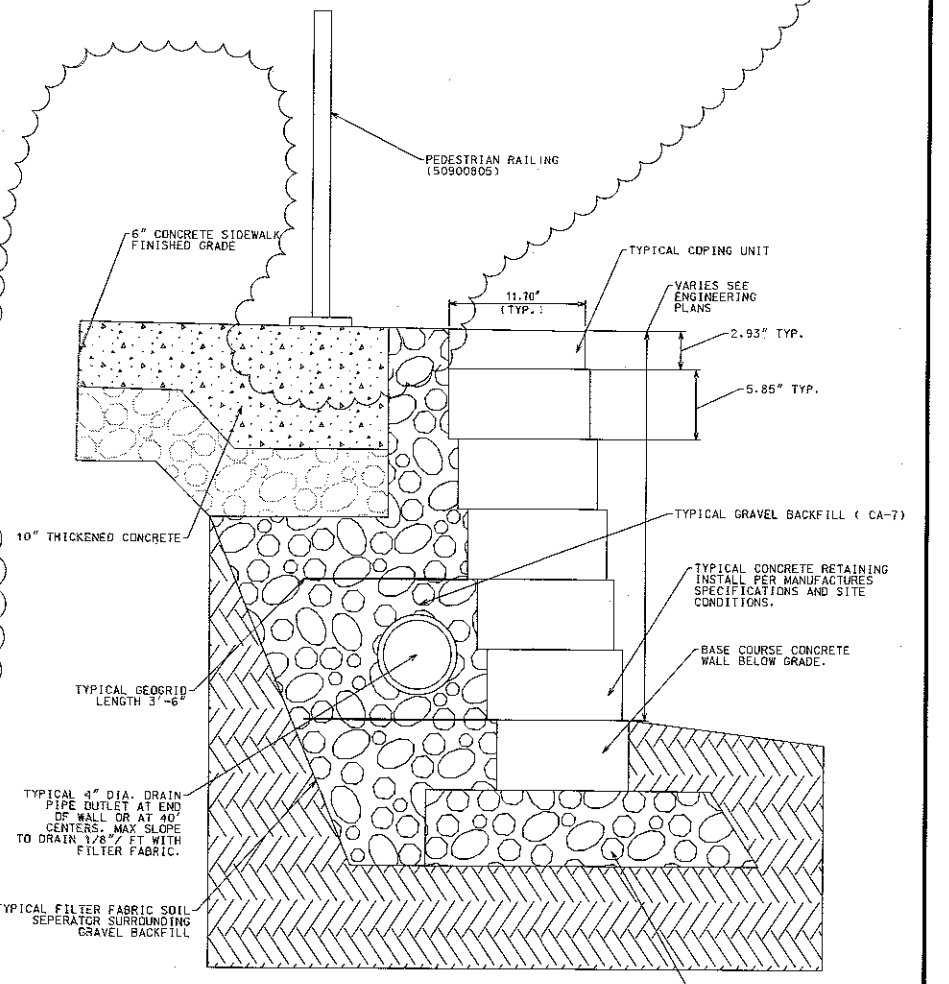
SECTION A-A



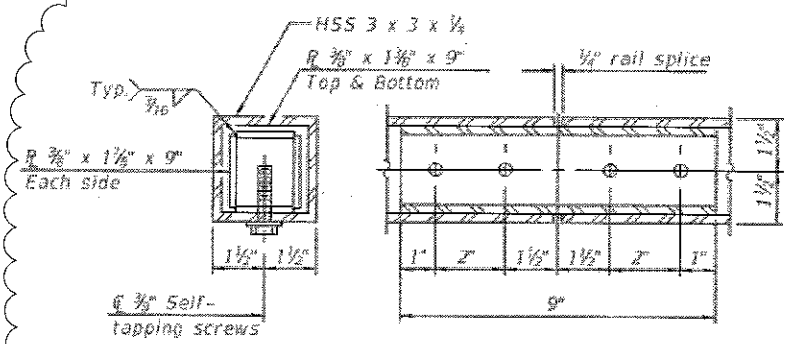
BASE P



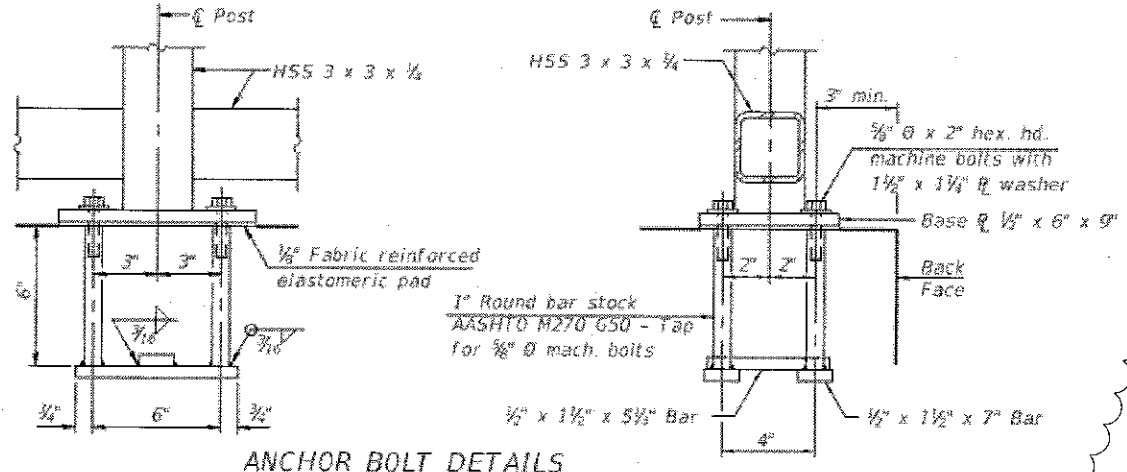
SECTION THRU SIDEWALK



PRECAST MODULAR RETAINING WALL



RAIL SPLICE



ANCHOR BOLT DETAILS

In lieu of the cast-in-place anchor device shown, the Contractor has the option of drilling and setting 3/8" dia anchor rods according to Article 509.06 of the Standard Specifications. Embedment shall be according to the manufacturer's specifications.

CVN TESTING MAY BE OMITTED FOR THE PEDESTRIAN RAILING.

FILE NAME = 84183v07.dgn	USER NAME = jekapustak	DESIGNED - R. SHAH	REVISED - P. LoFLEUR 04-15-03	STATE OF ILLINOIS DEPARTMENT OF TRANSPORTATION	SITE DETAILS	F.A.U. RTE.	SECTION	COUNTY	TOTAL SHEETS	SHEET NO.	
PLDT SCALE = 1:1.00000	PLDT DATE = 4/12/2018	DRAWN -	REVISED - R. BORO 01-01-07			1319	12-00218-00-BT	COOK	35	30	
PLDT DATE = 4/12/2018	DATE = 11-04-85	CHECKED -	REVISED - R. BORO 06-11-08			CONTRACT NO. 61B91					
PLDT DATE = 4/12/2018	DATE = 11-04-85	DATE = 11-04-85	REVISED - R. BORO 09-06-11			FED. ROAD DIST. NO. 1 ILLINOIS FED. AID PROJECT					
PLDT DATE = 4/12/2018	DATE = 11-04-85	DATE = 11-04-85	REVISED - R. BORO 09-06-11			SCALE:	SHEET NO. 22 OF 32 SHEETS	STA. 10+00 TO STA. 34+69			