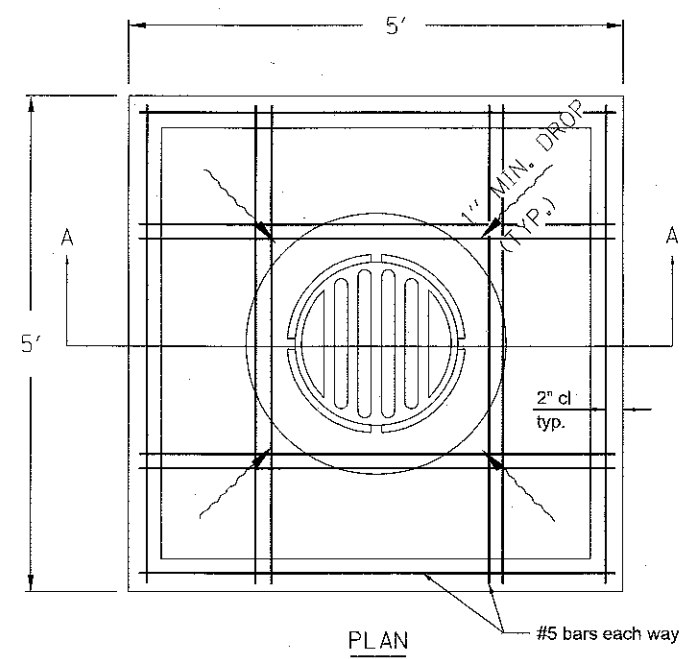


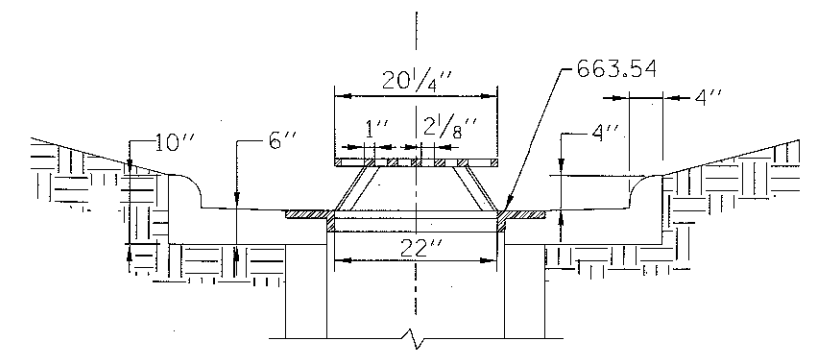
NOTES:

1. CHAIN LINK FENCE SHALL BE IN ACCORDANCE WITH SECTION 664 OF THE STANDARD SPECIFICATIONS.
2. FABRIC AND POSTS SHALL BE BLACK VINYL COATED.
3. HEIGHT SHALL BE 48" MINIMUM.
4. SEE STANDARD 664001 FOR ADDITIONAL DETAILS.

CHAIN LINK FENCE



PLAN #5 bars each way



SECTION A-A

NOTES:

1. CLASS "SI" CONCRETE SHALL BE USED THROUGHOUT PRECAST APRON
2. SEE STANDARD 602401 FOR MANHOLE DETAILS
3. THE CAST GRATE MAY BE MADE OF EITHER GRAY IRON OR DUCTILE IRON
4. DUCTILE IRON CASTING SHALL BE GRADED 65-45-12
5. WEIGHT = 220 LBS

SPECIAL GRATE NO. 1

FILE NAME =	USER NAME = oasiefort	DESIGNED -	REVISED - 3/29/18		DECATUR (217) 422-8544 SCHAUMBURG (773) 714-0050 ROCKFORD (815) 489-0050 184-001397	CHAIN LINK FENCE AND SPECIAL GRATE NO. 1 BALTIMORE AVENUE		F.A.U. RTE.	SECTION	COUNTY	TOTAL SHEETS	SHEET NO.
in:\Municipalities\Macon County\9531 Lost	Bridge Road Bike Trail\CADD\Civil\Phase-II-B	DRAWN 5631.dgn	REVISED - 4/4/2018					7449	15-00233-01-BT	MACON	85	24
PLOT SCALE = 48.0000' / in.	CHECKED -	REVISED -	REVISED -					CONTRACT NO. 95765				
PLOT DATE = 3/29/2018	DATE -	REVISED -	REVISED -	SCALE:		SHEET NO. OF SHEETS STA. TO STA.		ILLINOIS FED. AID PROJECT				