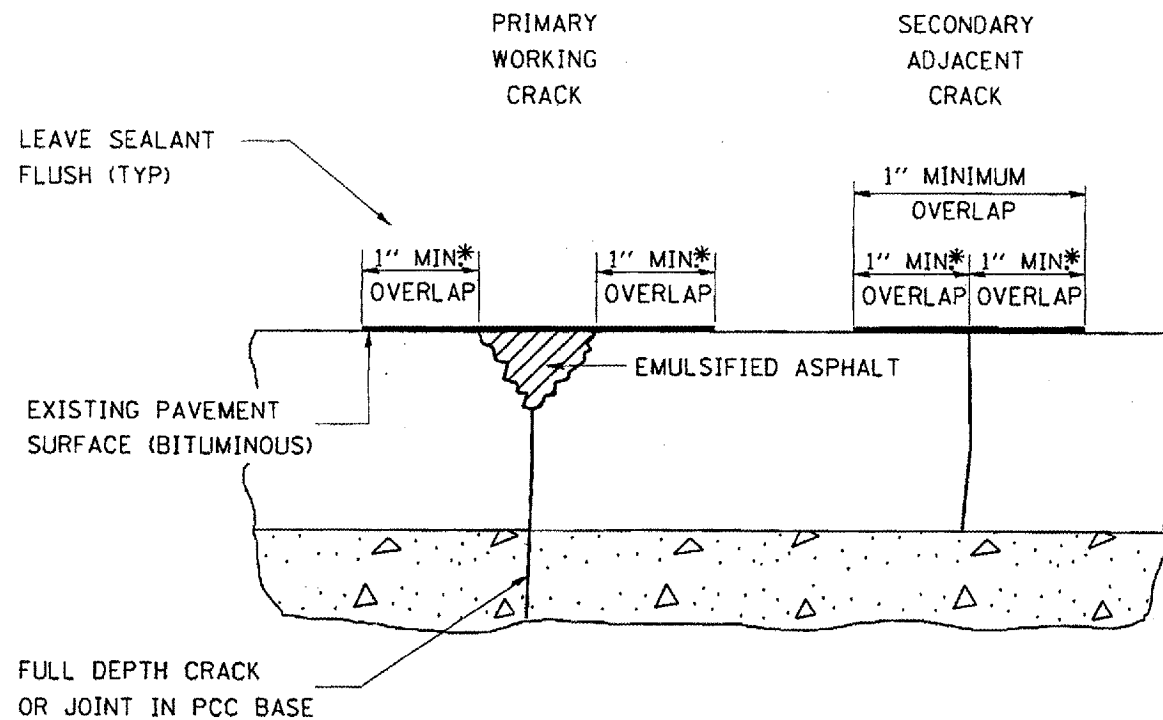
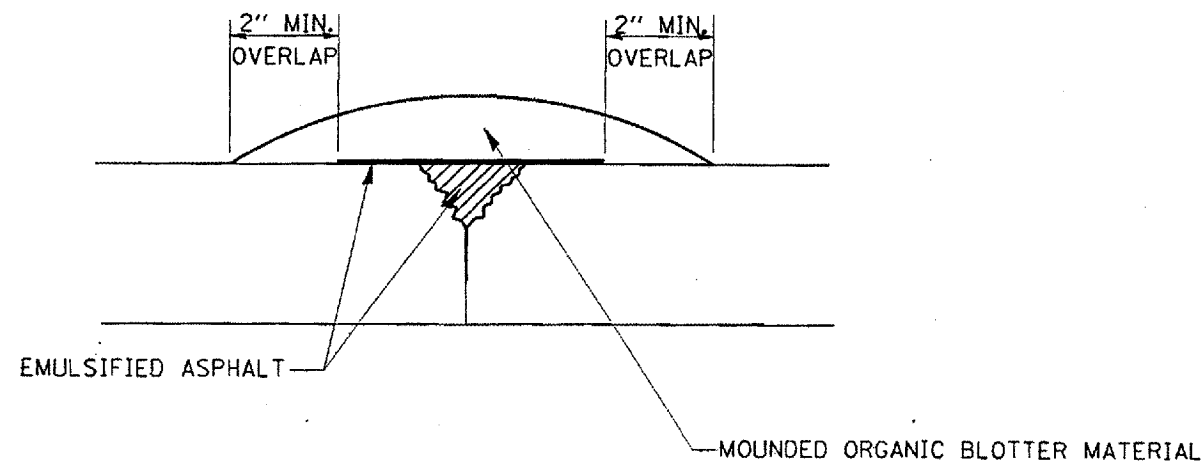


ROUTE	SECTION	COUNTY	TOTAL SHEETS	SHEET NO.
VARIOUS	2005-050 1	MCHENRY	7	6

CONTRACT NO. 60A28



*IN ALL LOCATIONS WHERE THE LONGITUDINAL CRACK CONFLICTS WITH EXISTING PAVEMENT MARKINGS (EITHER EDGE LINE OR LANE LINE) THE CRACK SHALL BE FILLED WITH EMULSIFIED ASPHALT. HOWEVER, THE 2" OVERLAP SHALL BE DELETED TO PREVENT UNNECESSARY DAMAGE TO THE EXISTING PAVEMENT MARKINGS. ALL EXCESSIVE DAMAGES TO EXISTING PAVEMENT MARKINGS & RAISED REFLECTIVE PAVEMENT MARKERS SHALL BE REPLACED AT THE EXPENSE OF THE CONTRACTOR.



ORGANIC BLOTTER MATERIAL

REVISIONS		ILLINOIS DEPARTMENT OF TRANSPORTATION
NAME	DATE	
		CRACK AND JOINT SEALING (MULCH)
SCALE: VERT. DRAWN BY		
HORIZ. CHECKED BY		
DATE 3/2/2006		