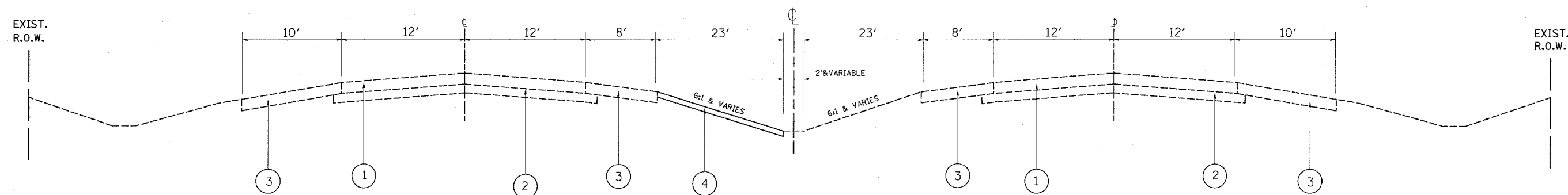
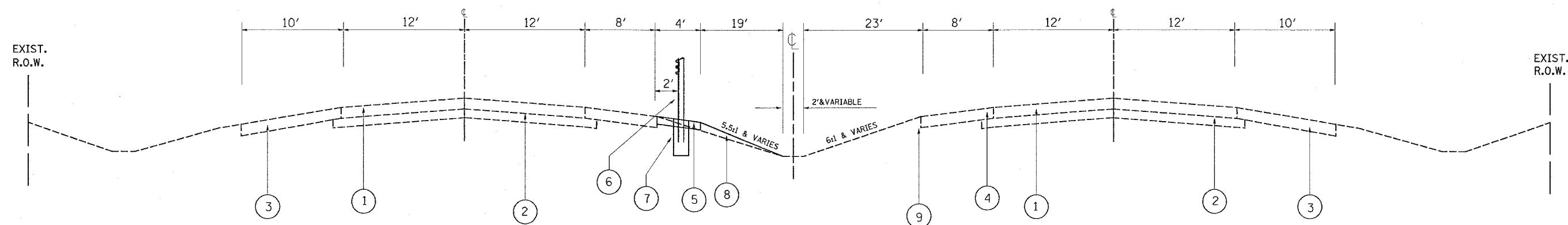


F.A.I. RTE.	SECTION	COUNTY	TOTAL SHEETS	SHEET NO.
80	99-1-I-3	WILL	34	6
STA.		TO STA.		
FED. ROAD DIST. NO. 1		ILLINOIS	FED. AID PROJECT	
CONTRACT 60A42				



I-80  
EXISTING TYPICAL CROSS SECTION  
STA 1761+00 TO STA 1880+00



I-80  
PROPOSED TYPICAL CROSS SECTION  
STA 1880+50 TO STA 1942+00

**LEGEND**

- ① EXISTING 10" P.C.C. PAVEMENT
- ② EXISTING SUBBASE GRANULAR MATERIAL; TYPE A
- ③ EXISTING BIT. SHOULDER
- ④ EXISTING GRAVEL SHOULDER
- ⑤ EXISTING GROUND DITCH
- ⑥ PROPOSED HIGH TENSION CABLE MEDIAN BARRIER SYSTEM
- ⑦ PROPOSED CONCRETE FOUNDATION - INCLUDED IN THE COST OF THE HIGH TENSION CABLE MEDIAN BARRIER SYSTEM
- ⑧ PROPOSED FURNISHED EXCAVATION
- ⑨ PROPOSED AGGREGATE SHOULDER, TYPE B
- ⑩ REMOVAL AND DESPOSAL OF UNSUITABLE METERIAL

REVISIONS	
NAME	DATE

ILLINOIS DEPARTMENT OF TRANSPORTATION  
**INTERSTATE 80**  
**EXISTING AND PROPOSED TYPICAL SECTION**  
SCALE : NONE  
3/8/2006  
DRAWN BY: HMO  
CHECKED BY: