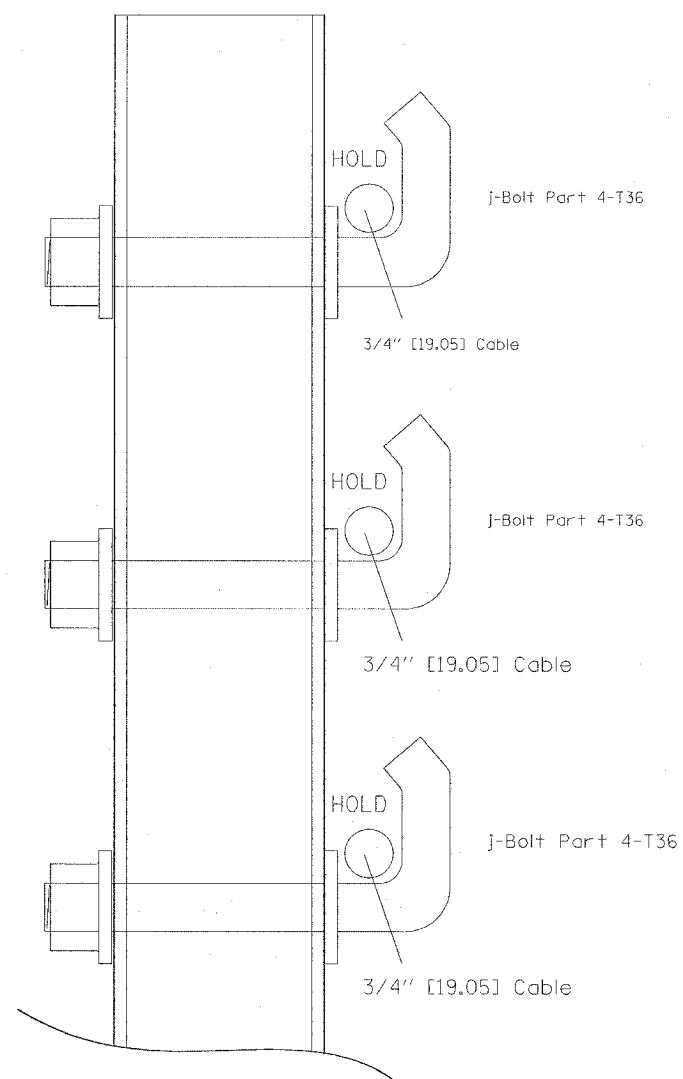


F.A.I. RTE.	SECTION	COUNTY	TOTAL SHEETS	SHEET NO.
80	99-1-I-3	WILL	34	27
STA.		TO STA.		
FED. ROAD DIST. NO.	ILLINOIS	FED. AID PROJECT		

Gibraltar  
Cable Barrier System  
12/21/05 - TJ

TERMINAL POST  
ASSEMBLY



PLT DATE = 2/28/2006  
FILE NAME = c:\projects\01002005\detail.dgn  
USER NAME = jcmartin

REVISIONS	
NAME	DATE

ILLINOIS DEPARTMENT OF TRANSPORTATION  
  
INTERSTATE 80  
PLAN DETAILS  
  
SCALE: VERT.  
          HORIZ.  
DATE  
  
DRAWN BY  
CHECKED BY